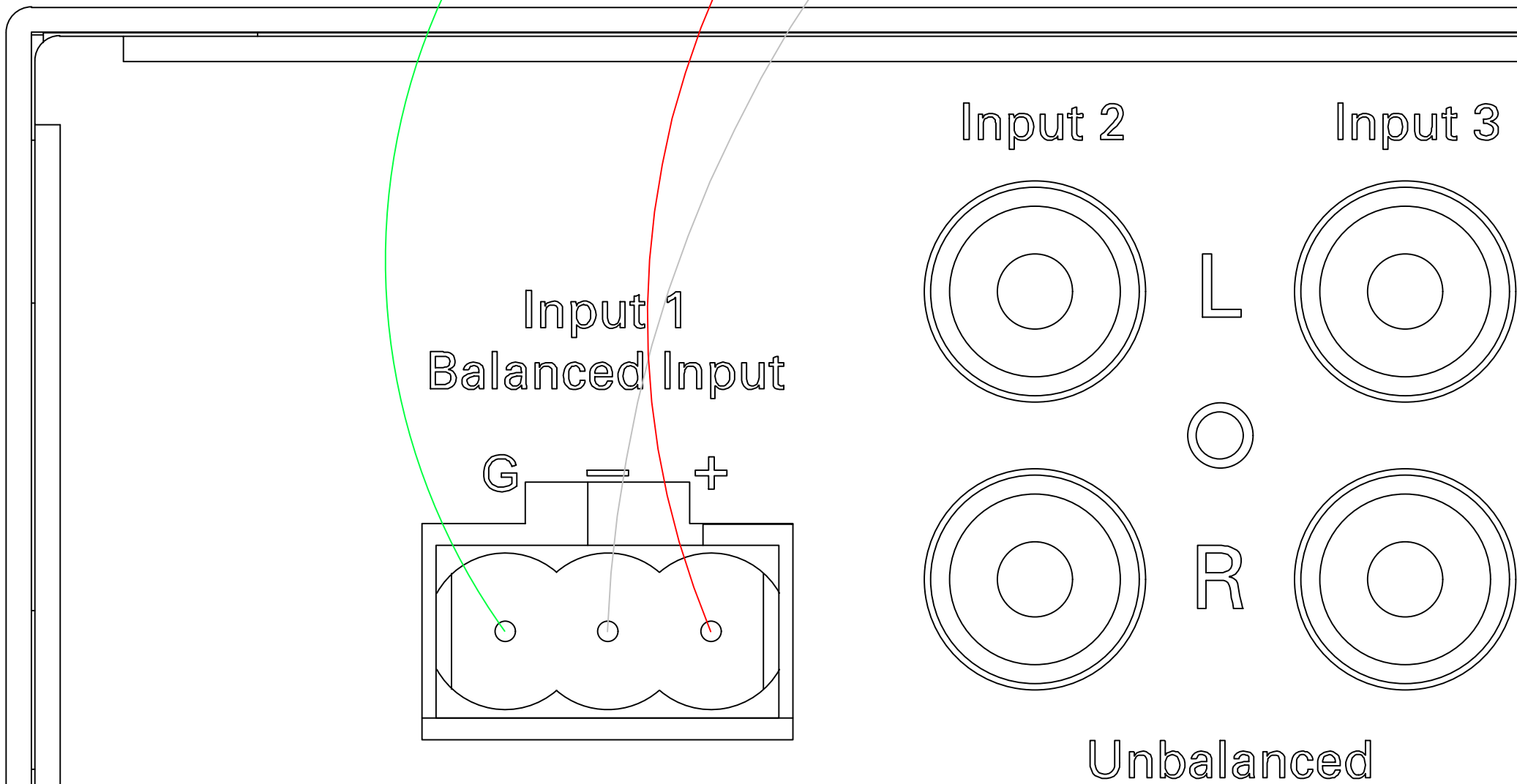
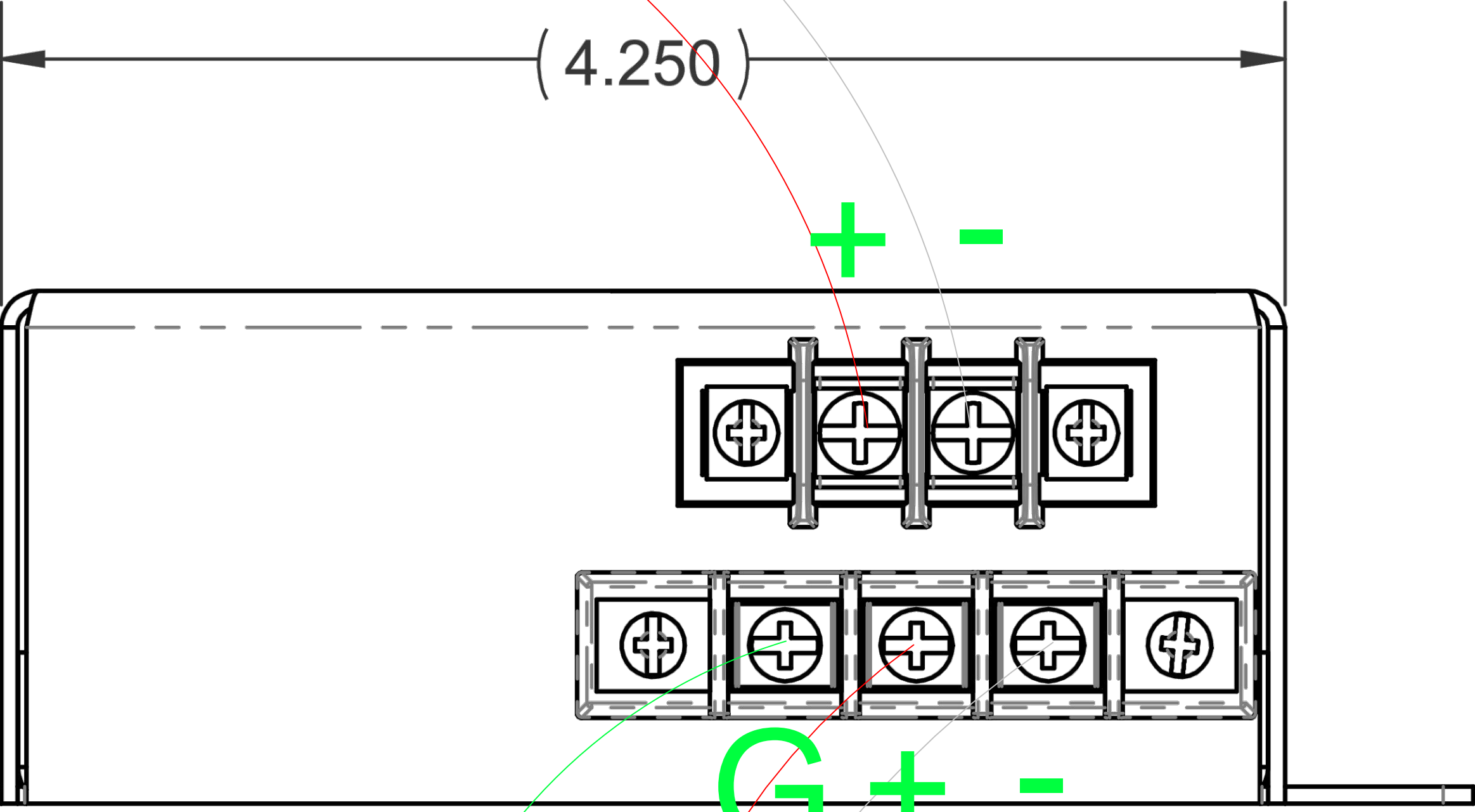
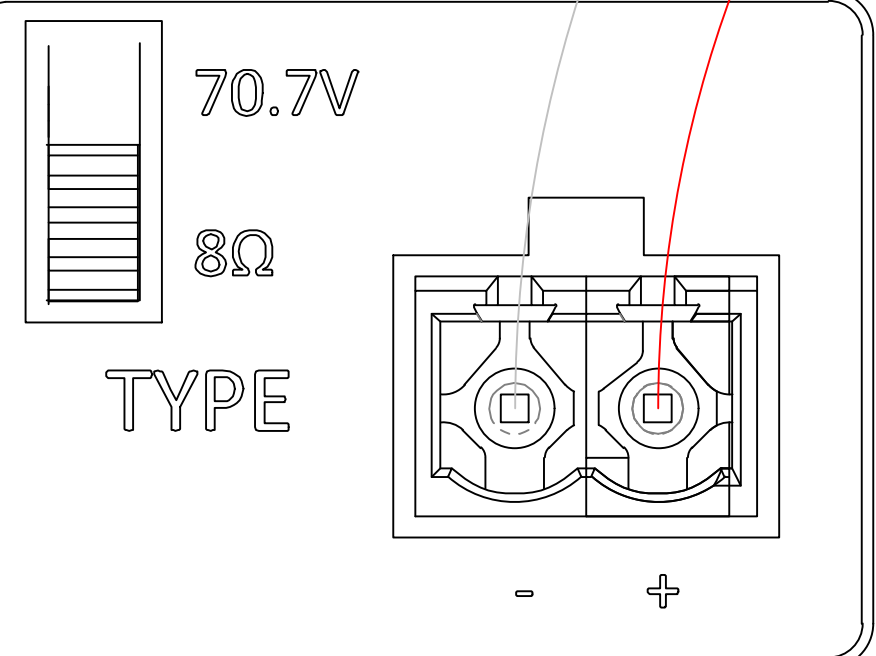


PRIMARY SPEAKER OUTPUT



The Specification contained herein is designed to be an aid to the sound system designer. It is intended to be used as a tool for establishing the parameters of a sound system design. Every effort has been made to ensure the accuracy and reliability of the specification, drawings, bills of material, equipment counts and one line drawings. Atlas Sound L.P. and Mitek Corporation assumes no liability for any damages caused by inaccuracies in the calculations, predictions, data or documentation, or as a result of the failure of the products described in the documentation to function in a particular manner. Atlas Sound L.P. and Mitek Corporation make no warranty, expressed or implied, nor does the fact of the distribution of the specification documents constitute a warranty. It is the responsibility of the Engineer or Consultant to make the final judgment as to the validity and application of the specifications. All Rights Reserved. ©Atlas Sound 2018.

CUSTOMER

ATLAS SOUND
 A MITEK COMPANY
 4545 E. BASELINE RD.
 PH: 800.876.3333
 WWW.ATLASIED.COM
 SUPPORT@ATLASIED.COM

DRAWN BY	DATE
CASE NUMBER	CASE DATE
MANAGER APPROVAL	MAN APPROVAL DATE
CUSTOMER APPROVAL	CUST APPROVAL DATE
SHEET SIZE	C

Atlas Sound
 A MITEK COMPANY
 1601 JACK MCKAY BLVD. PH: 800.876.3333
 www.atlasied.com
 support@atlasied.com

SCALE _____ SHEET # _____ OF _____

THIS DRAWING AND DATA EMBODY PROPRIETARY DESIGN AND INFORMATION WHICH IS THE CONFIDENTIAL PROPERTY OF MITEK CORPORATION. NONE OF WHICH SHALL BE COPIED, REPRODUCED, DISCLOSED TO OTHERS, PROPOSED OR USED IN WHOLE OR IN PART, FOR ANY PURPOSE WITHOUT EXPRESS WRITTEN PERMISSION OF A DULY AUTHORIZED AGENT OF MITEK CORPORATION. THIS DRAWING IS SUBJECT TO RECALL BY MITEK CORPORATION AT ANY TIME. IT IS BEING SUBMITTED IN CONFIDENCE AND PATENT RIGHTS ARE RESERVED BY MITEK CORPORATION.

NOTE: THIS IS AN UNCONTROLLED DOCUMENT AND IS INTENDED FOR REFERENCE ONLY.