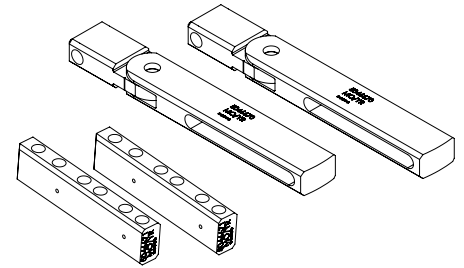


## VTX-V25-CS-K | Compression Suspension Kit

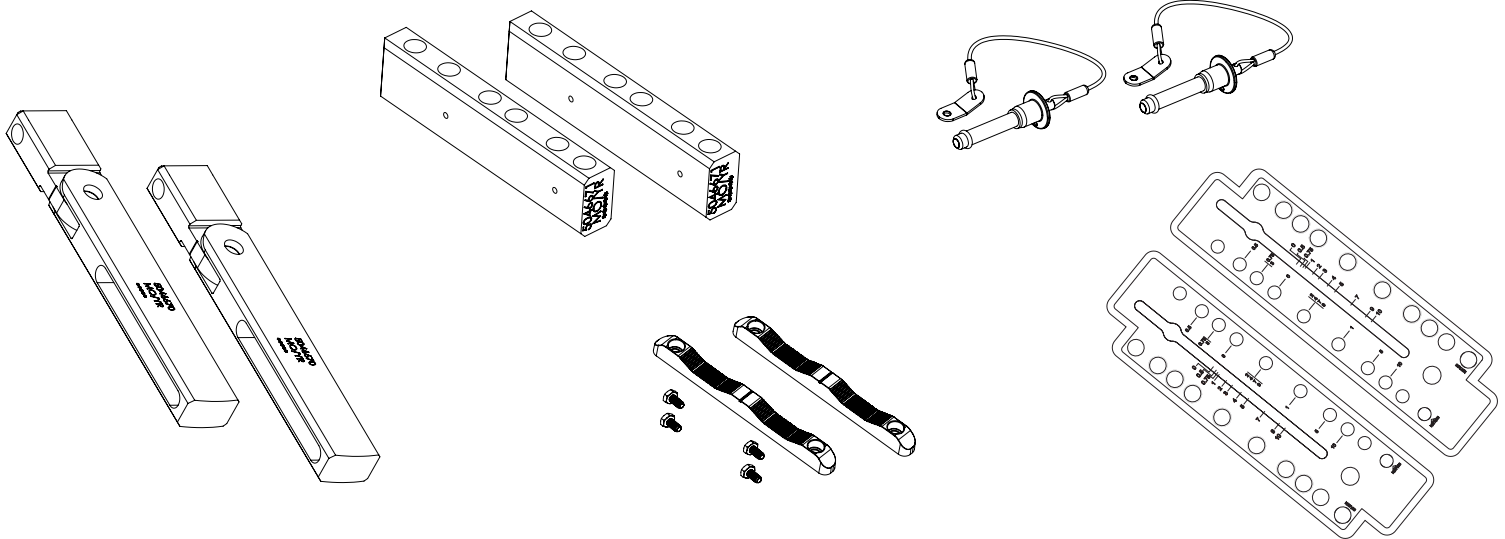
### Features:

- Rigging upgrade kit for VTX V25-II systems
- Includes all necessary parts to transform a V25-II to a V25-II-CS
- Compression Suspension allows for quick and easy suspension of V25-II systems from vertical transporters
- Works with truck pack friendly VTX V25 VTC vertical transporters
- Improved long throw performance due to increased angle resolution (0.5, 0.75 degree available)



### Description:

Compression suspension can be implemented on existing VTX V25 cabinets when equipped with the new VTX-V25-CS-K compression suspension kit using additional VTX-V25-PB Pull Back, VTX-V25-LH Lever Hoist accessories.



### Included:

- 2x Suspension frame labels
- 2x Slot hinge bars
- 2x ASM bars + 2x ASM Slider Handles
- 2x Quick Release Pins (QRP) with lanyard assemblies
- All required mount hardware

### Recommended:

- 1x VTX-V25-CS-K-LJ label jig (order separately)