

VISION.NET PORTABLE TOUCHSCREEN (10.1")

Date: _____
Type: _____
Firm: _____
Name: _____
Project: _____

Vision.Net Touchscreens are interactive control surfaces that allow you to control house and entertainment lighting in your facility, including turning on/off fixtures, recalling cues, and adjusting levels, colors, and more. The capacitive touchscreens come with a variety of mounting options, including surface or flush wall mounting, desktop and 19-inch equipment racks. Working as part of a networked solution, they provide connectivity to control iproducts such as lighting consoles running NEO or ZerOS software, providing a key part of an integrated approach to control systems.



- High resolution (1280x800) 10.1-inch display with PCAP touchscreen technology
- Active area of 216.96 x 135.60 mm (8.54 x 5.34 inches)
- “Touch latching” for buttons and faders
- Swipe paging and tabbed screens
- Password protection options
- Simple to support and change configurations via Ethernet
- Time server support
- Commands include (but are not limited to): Raise/Lower, Preset, Toggle On/Off
- Smart commands allow multiple system commands to be executed from a single button press
- Buttons may be shared with other screens and stations
- Optional Ethernet connectivity touchscreens can provide remote access to Strand Lighting NEO and ZerOS control consoles, C21, EC21 A21, and R21 dimming systems
- Bit-mapped backgrounds provide custom graphic displays, with invisible buttons to provide hot spots on graphics
- Sleek design of on-screen button and faders



VARI*LITE

Specifications

Due to continuous improvements and innovations, specifications may change without notice.

Electrical

Supply Voltage	24VDC or PoE+ (IEEE 802.3at)*
----------------	-------------------------------

*Must be one or the other, cannot be both. 24VDC via Vision.Net

Data

PoE	IEEE 802.3at
Ethernet connector	1 x RJ45 (1000Mps)
USB 2.0 connector	2 x Type A
USB 2.0 OTG connector	1 x Micro-A
RS232 connector	1 x DB9
HDMI connector	1 x HDMI (Standard, Type A)
Vision.Net (RS485) connector	1 x 9-position plug -in PCB Header

*Recommended cable type: Belden 1583a, CAT5e, 24 AWG, Solid

Installation

Mounting	Desktop stand
----------	---------------

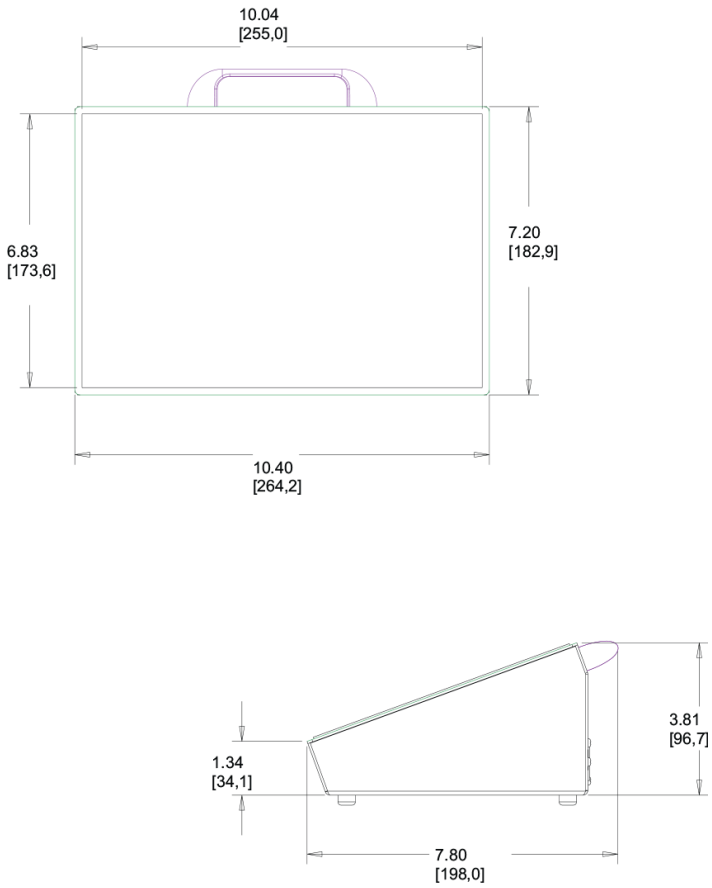
Certification and Safety

IP Rating	IP 20
Conformity	EN60950, FCC 47CFR PT 15 SPT B, EN55032, CISPR 32 CSA C22.2#60950, IC ICES-003 (Canada)

Touchscreen

Touch	Multi-point touch, PCAP
Resolution	1280 x 800
Colors	24-bit
Viewing Angle	Minimum of 80° from all four sides
Touch Surface	7H hardness glass with anti-fingerprint oleophobic coating
Storage and memory	8GB micro SD card, 2GB RAM
Operating System	Android 6.0.1+

Dimensions



Physical

Housing Color	Black
Dimensions (H x W x D)	198 x 264.2 x 96.7 mm (7.8 x 10.4 x 3.81 in)
Cooling System	Free air convection, fanless

Product and Accessories

Product Name

VISION.NET PORTABLE TOUCHSCREEN (10.1")

Requires PoE (802.3at 24W) or 24 VDC external power supply via Vision.Net (not included).

Parts (all required)

	Order Code
Vision.Net Touchscreen (10.1")	95610
Portable enclosure - Vision.Net 10.1" Touchscreen	95622
Vision.Net Portable Touchscreen Receptacle Station (XLR6F)	3-229-0001

Touchscreen extension cable

	Order Code
Vision.Net Portable Touchscreen cable - 10ft (XLR6M-XLR6F)	66099/10
Vision.Net Portable Touchscreen cable - 15ft (XLR6M-XLR6F)	66099/15
Vision.Net Portable Touchscreen cable - 25ft (XLR6M-XLR6F)	660991
Vision.Net Portable Touchscreen cable - 50ft (XLR6M-XLR6F)	66099/50
Vision.Net Portable Touchscreen cable - 100ft (XLR6M-XLR6F)	66099/100

Power Supplies

	Order Code
Vision.Net DIN Rail Power Supply - 24V, 60W	53906-302
Vision.Net DIN Rail Power Supply - 24V, 150W	53906-301

