



RDL[®]
Radio Design Labs

SPECIALISTS IN PRACTICAL PRECISION ENGINEERING™

max TX™ SERIES Model TX-PD8X Switching Power Supply Distributor

- Distribution of 24 Vdc Power
- Soft-Start from Switching Supply
- Directly Controllable by RDL Remote Controls
- Up to 8 Power Distribution Points
- Voltage Presence Indication
- Reverse Voltage Protection
- Outputs may be Activated by an External Switch
- Outputs may be Activated by an Open-Collector closure to ground
- 8 DC Power Cables Included



APPLICATION: The TX-PD8X is the ideal choice where power distribution from a current-limited switching power supply is needed. It is suitable for powering up to eight modules from a single power supply. The current limiting circuitry in many switching power supplies will cause the supply to shut down upon power-up when a high current capacitive load is connected. Upon application of power, the TX-PD8X ramps the voltage up, charging any load capacitance as quickly as possible, then switching full voltage to the load. If reverse polarity is connected to the input, the TX-PD8X disconnects the load until the condition is corrected.

In system design, various modules are frequently operated from a single power supply. Good engineering practice requires that the power wiring to each module originate at the power supply output. The TX-PD8X serves as the power source for each of eight modules. The TX-PD8X normally provides power to ground-referenced modules. A front-panel switch permits the installer to enable external control. When the ON terminal is connected to ground, the TX-PD8X outputs are active. External control is possible using RDL detection or control modules, open-collector outputs from OEM equipment or controllers, or using a D-RT2 RDL remote wall control. The front-panel blue LED remains illuminated when the outputs are active.



RDL[®]
Radio Design Labs

SPECIALISTS IN PRACTICAL PRECISION ENGINEERING™

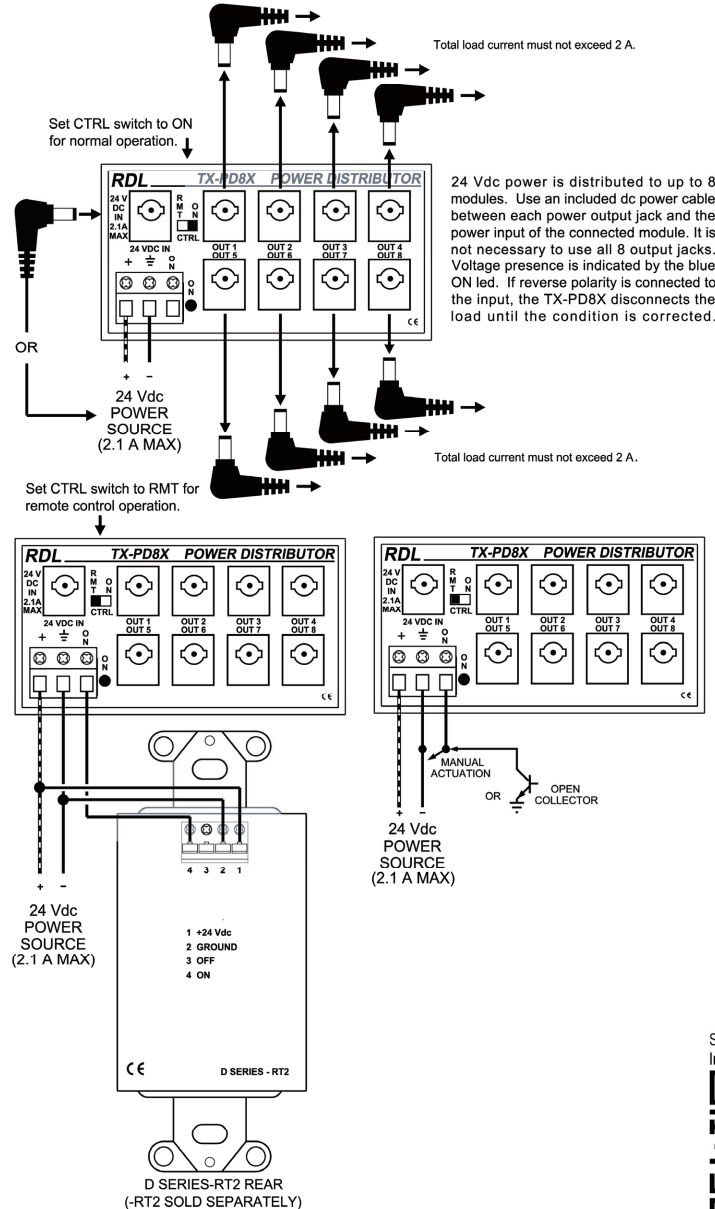


max TX™ SERIES
Model TX- TX-PD8X
Switching Power Supply Distributor

Installation/Operation



EN55103-1 E1-E5; EN55103-2 E1-E4
Typical Performance reflects product at publication time exclusive of EMC data, if any, supplied with product. Specifications are subject to change without notice.



TYPICAL PERFORMANCE

Input/Output Voltage: 24 Vdc @ 2 A (Intended for use with current limited switching supply)
Outputs (8) : Total load current must not exceed 2 A (8 DC Power Cables Included)
Indicator: POWER LED
Power Requirement: 24 Vdc @ 25 mA plus connected loads
Ambient Operating Environment: 0° C to 50° C

Safety Instructions/Consignes de sécurité/
Instrucciones de seguridad/Sicherheitshinweise:



EU Importer:
Importateur de l'UE:
Importador de la UE:
EU-Importeur:

RDL Europe B.V.
Joan Muyskenweg 124
1114 AN Amsterdam

Radio Design Labs Technical Support Centers
U.S.A. (800) 933-1780, (928) 778-3554; Fax: (928) 778-3506
Europe [NH Amsterdam] (+31) 20-6238 983; Fax: (+31) 20-6225-287