



**RDL**®  
Radio Design Labs

SPECIALISTS IN PRACTICAL PRECISION ENGINEERING™

## max **TX™ SERIES** **Model TX-AT1** **Audio Isolation Transformer**

### ANYWHERE YOU NEED...

- Studio Quality Audio Transformer
- Bifilar Winding, Nickel Alloy Core
- Protection for Inputs and Outputs
- Barrier Block Transformer Connections
- Galvanic Isolation
- 1:1 Transformer Coupling
- Balanced or Unbal Input and Output
- Transformer to Drive 600 Ohm Line
- Convenience of RDL TXs



### **You Need The TX-AT1!**

The TX-AT1 is part of the group of versatile Max-TX series products from Radio Design Labs. Max-TX modules are the large format members of the RDL TX family, featuring the superior engineering and components common to RDL products. The durable adhesives provided with the TX-AT1 permit permanent or removable mounting. The TX-AT1 may be rack or surface mounted with optional TX series accessories.

**APPLICATION:** The TX-AT1 is the ideal choice in many applications requiring studio quality transformer coupling between balanced or unbalanced audio equipment and a balanced or unbalanced line.

The TX-AT1 is a single-channel (mono) module featuring barrier block connections for the input and output. A studio-quality audio transformer couples the audio input to the audio output. A common ground terminal is connected to the TX-AT1 metal support structure.

A 1:1 audio transformer provides galvanic isolation. The audio transformer has 600 Ohm primary and secondary bifilar windings, though is optimized to be driven from a low-impedance source into a bridging load. The primary and/or secondary may be wired unbalanced, providing conversion between balanced and unbalanced audio lines. The TX-AT1 delivers the wideband audio, ultra-low distortion, audio clarity and headroom common to studio equipment in a module suited to both studio and general-purpose audio installations.

The TX-AT1's compact size permits mounting in a variety of spaces and in various locations in equipment racks. The TX-AT1 may be mounted where needed, to rack sides or in an equipment rack (either the front or rear rack rails) using a variety of available RDL mounting options. Use the TX-AT1 individually, or combine it with other RDL products as part of a complete audio/video system.

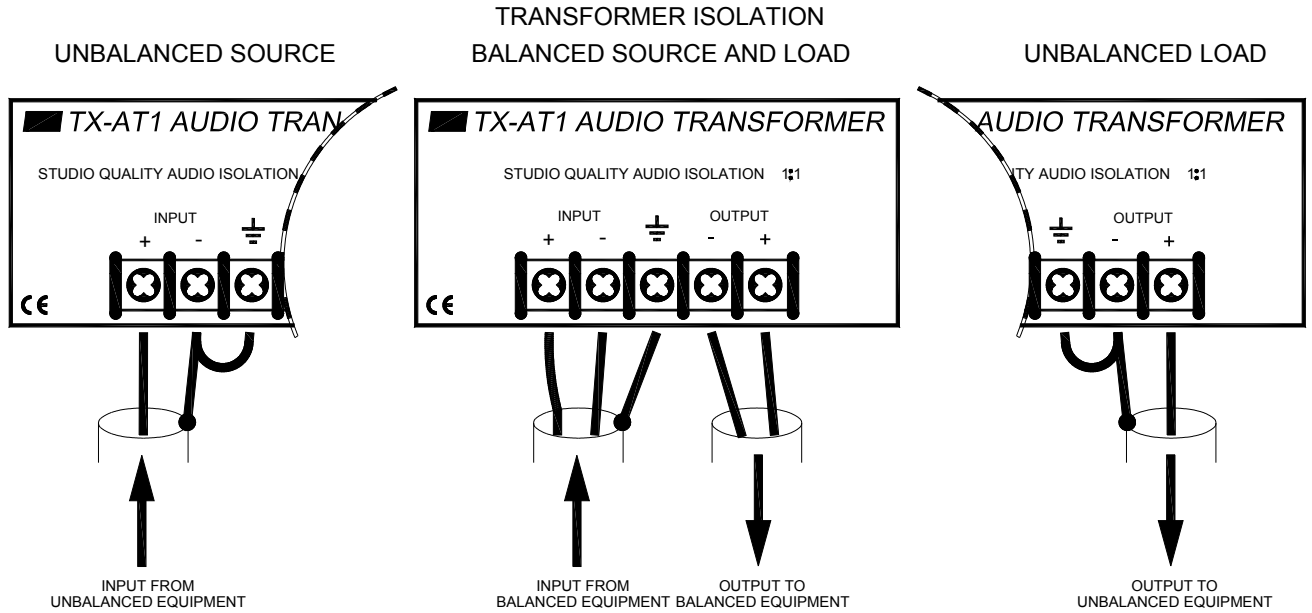
max **TX™ SERIES**

**Model TX-AT1**

**Audio Isolation Transformer**

**Installation/Operation**

**CE** EN55103-1 E1-E5; EN55103-2 E1-E4  
Typical Performance reflects product at publication time exclusive of EMC data, if any, supplied with product. Specifications are subject to change without notice.



**TYPICAL PERFORMANCE**

Input Connector:  
Input Level:  
Output Connector:  
Output Level:  
Impedance Ratio:  
Turns Ratio:  
Core:  
Frequency Response:  
THD:

Barrier block  
+4 dBu; +22 dBu maximum  
Barrier block  
+4 dBu (less insertion loss)  
600:600  
1:1  
Nickel alloy  
20 Hz to 20 kHz (+/- 0.1 dB)  
<0.035% (50 Hz to 20 kHz, +4 dBu input)  
0.001% (Typ. 1 kHz, +4 dBu input)  
0.09% (Typ. 20 Hz, +4 dBu input)

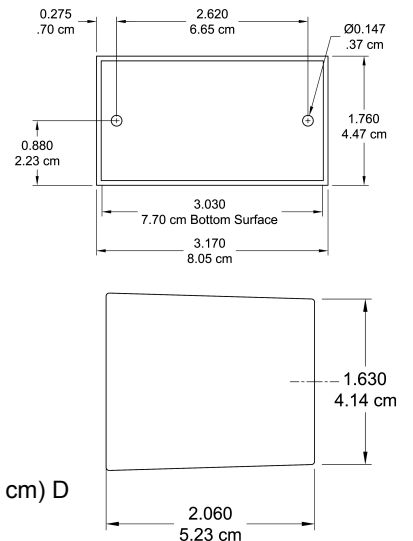
Insertion Loss:  
CMRR:  
Power Requirement:

0.25 dB (20 Ohm source; 10 kΩ load)  
2 dB (20 Ohm source; 600 Ω load)  
>85 dB (balanced input, 50 to 60 Hz)  
Passive

Overall Dimensions:

3.17" (8.05 cm) W; 1.76" (4.47 cm) H; 2.06" (5.23 cm) D

EMC:



Safety Instructions/Consignes de sécurité/  
Instrucciones de seguridad/Sicherheitshinweise:



EU Importer:  
Importateur de l'UE:  
Importador de la UE:  
EU-Importeur:  
RDL Europe B.V.  
Joan Muyskenweg 124  
1114 AN Amsterdam