



**RDL**<sup>®</sup>  
Radio Design Labs

SPECIALISTS IN PRACTICAL PRECISION ENGINEERING™

## max TX™ SERIES Model TX-AFC1F Audio Format Converter

- Studio Quality Audio Transformer
- Bifilar Winding, Nickel Alloy Core
- Connectorized Audio Format Conversion
- Galvanic Isolation
- Switch-Selectable Ground Isolation
- Gold Contacts on Input and Output
- Balanced to Unbalanced Conversion
- Pro to Consumer Level Conversion
- Convenience of RDL TXs



The TX-AFC1F is part of the group of versatile Max-TX series products from Radio Design Labs. Max-TX modules are the large format members of the RDL TX family, featuring the superior engineering and components common to RDL products. The durable adhesives provided with the TX-AFC1F permit permanent or removable mounting. The TX-AFC1F may be rack or surface mounted with optional TX series accessories.

**APPLICATION:** The TX-AFC1F is the ideal choice in many applications requiring studio quality transformer coupling between a balanced audio source and unbalanced equipment.

The TX-AFC1F is a single-channel (mono) module featuring a female XLR input and phono jack output. A studio quality audio transformer converts the audio input to unbalanced. An integral pad is set to produce an output level of  $-10$  dBV for an input level of  $+4$  dBu balanced. The XLR shield (Pin 1) is connected to the output phono jack ground. The TX-AFC1F bridges the input signal and is optimized to feed a 10 k Ohm load.

A studio quality audio transformer provides format conversion and galvanic isolation. The TX-AFC1F delivers the wideband audio, ultra-low distortion, audio clarity and headroom common to studio equipment in a module suited to both studio and general-purpose audio installations.

The TX-AFC1F's compact size permits mounting in a variety of spaces and in various locations in equipment racks. The location of the input/output jacks permits high density mounting against flat surfaces while maintaining accessibility to the connectors. The TX-AFC1F may be mounted where needed, to rack sides or in an equipment rack (either the front or rear rack rails) using a variety of available RDL mounting options. Use the TX-AFC1F individually, or combine it with other RDL products as part of a complete audio/video system.

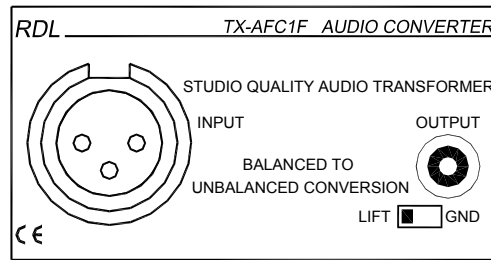
max **TX™ SERIES**

**Model TX-AFC1F  
Audio Format Converter**

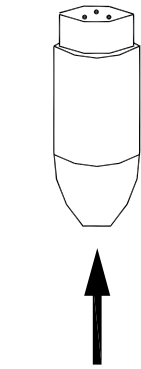
**Installation/Operation**



**EN55103-1 E1-E5; EN55103-2 E1-E4**  
Typical Performance reflects product at publication time exclusive of EMC data, if any, supplied with product. Specifications are subject to change without notice.



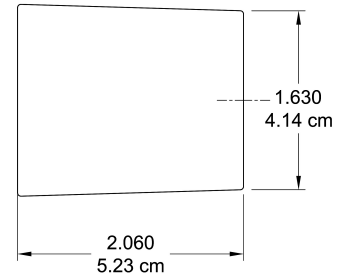
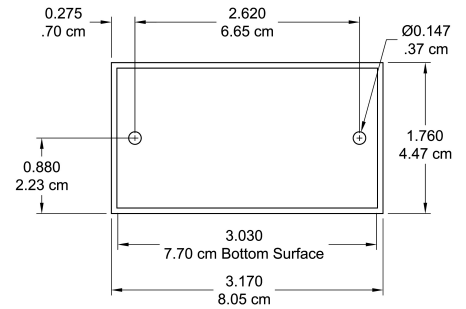
Ground Lift Switch



INPUT FROM  
BALANCED EQUIPMENT



OUTPUT TO  
UNBALANCED INPUT



**TYPICAL PERFORMANCE**

|                     |   |
|---------------------|---|
| Input:              | 2.5 kΩ Bridging, XLR  |
| Input Level:        | +4 dBu; +22 dBu maximum   |
| Output:             | Phono Jack, 10 kΩ Unbalanced  |
| Output Level:       | -10 dBV   |
| Frequency Response: | 20 Hz to 20 kHz (+/- 0.1 dB)  |
| THD:                | <0.06% (50 Hz to 20 kHz, +4 dBu input)<br>0.0015% (Typ. 1 kHz, +4 dBu input)<br>0.125% (Typ. 20 Hz, +4 dBu input) |
| CMRR:               | >85 dB (50 Hz to 60 Hz)   |
| Power Requirement:  | Passive   |

Overall Dimensions: 3.17" (8.01 cm) W; 1.75" (4.41 cm) H; 2.06" (5.23 cm) D

EMC:



Safety Instructions/Consignes de sécurité/  
Instrucciones de seguridad/Sicherheitshinweise:



EU Importer:  
Importateur de l'UE:  
Importador de la UE:  
EU-Importeur:  
RDL Europe B.V.  
Joan Muyskenweg 124  
1114 AN Amsterdam