

# TX™ SERIES

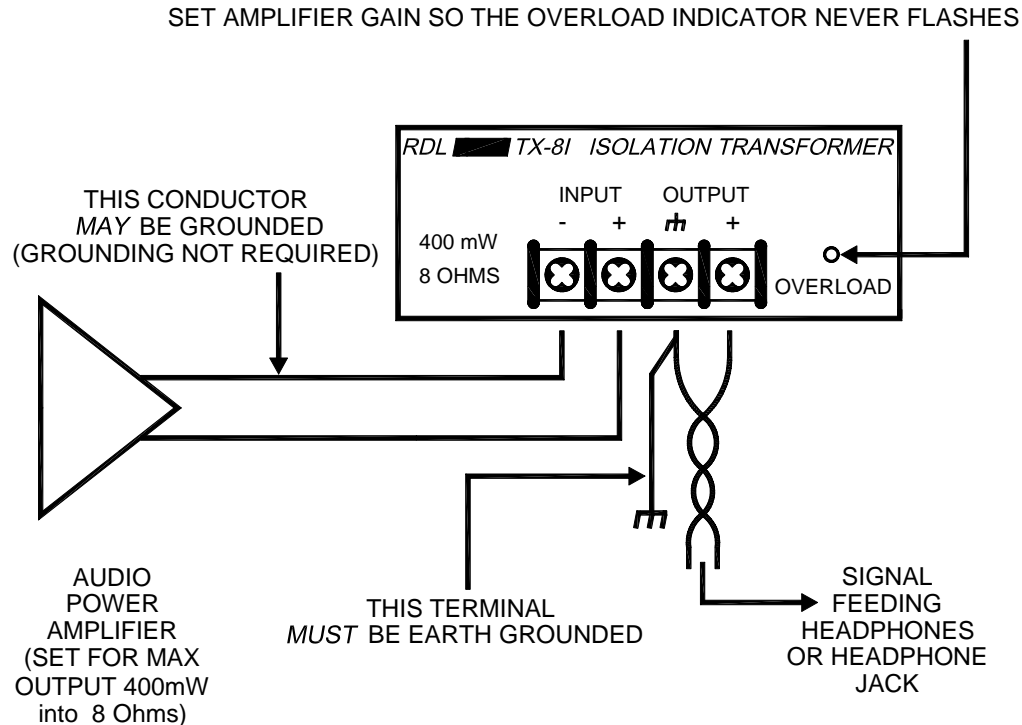
## Model TX-8I

### Isolation Transformer

## Installation/Operation



EN55103-1 E1-E5; EN55103-2 E1-E4  
Typical Performance reflects product at publication time exclusive of EMC data, if any, supplied with product. Specifications are subject to change without notice.



THE TX-8I IS NOT INTENDED FOR INSTALLATION IN LIFE SAFETY APPLICATIONS. THE OUTPUT IS INTENDED TO ISOLATE SECONDARY CONNECTED DEVICES FROM THE EFFECTS OF LOW VOLTAGE DIFFERENCES IN GROUND POTENTIAL BETWEEN THE AUDIO AMPLIFIER LOCATION AND THE HEADPHONE LOCATION. DETERMINATION OF THE SUITABILITY OF THIS PRODUCT FOR ANY PARTICULAR INSTALLATION IS THE SOLE RESPONSIBILITY OF THE INSTALLER. THE MODULE AND ITS INPUT AND OUTPUT WIRING MUST NEVER BE EXPOSED TO HIGH VOLTAGE. FAILURE TO CONNECT THE OUTPUT GROUND TERMINAL TO A VALID EARTH GROUND WILL RENDER THE MODULE FUNCTION INEFFECTIVE. THIS STATEMENT SUPERCEDES ANY OTHER PRINTED MATERIAL AND ANY REPRESENTATIONS, WRITTEN OR ORAL, BY ANY AUTHORIZED OR UNAUTHORIZED RDL REPRESENTATIVE.

### TYPICAL PERFORMANCE

Input Power:	50 mW continuous; 400 mW maximum (8 Ω)
Bandwidth:	100 Hz to 15 kHz
THD:	<0.1% (1 kHz, 50 mW)
Insertion Loss:	2 dB (nominal, 100 Ω load)
HIPOT:	1.5 kVac, 1 mA, 2 Sec.
Indicator:	Overload LED
Power Requirement:	Passive
Overall Dimensions:	Width: 1.2 in. 3.0 cm
	Length: 3.0 in. 7.6 cm
	Height: 1.4 in. 3.6 cm

Radio Design Labs Technical Support Centers  
U.S.A. (800) 933-1780, (928) 778-3554; Fax: (928) 778-3506  
Europe [NH Amsterdam] (+31) 20-6238 983; Fax: (+31) 20-6225-287