

# SWITCH 4 ARCHITECTURAL

Date: \_\_\_\_\_  
Type: \_\_\_\_\_  
Firm: \_\_\_\_\_  
Name: \_\_\_\_\_  
Project: \_\_\_\_\_

The Vari-Lite Switch Modules are a family of DIN-rail power control solutions for entertainment lighting installations. Switch Modules provides relay switching with configurable propagation delay and onboard current monitoring.



- Intelligent relay-based power control - Latching relays designed for lighting loads, with inrush resistance, configurable propagation delay (“sequencing”), and manual override switches. Individually addressable for control, or automatically switch on/off when a DMX/RDM signal is detected.
- 0/1-10V or DALI Dimming Control Included as Standard - dimming control of house and work lights.
- 35mm DIN Rail mounting - easy to install either to Vision. Net or off the shelf DIN rail mounting materials
- Multiple control inputs available - control your lighting power how and where you need using DMX/RDM, RS485 Vision.Net, and Contact Closure.

VARI\***LITE**

# Specifications

Due to continuous improvements and innovations, specifications may change without notice.

## Electrical

Power Source	External 24 V DC (provided by others)
Power Consumption	15 W Max
Supply Voltage for Relays	120V/277V or 230V AC
Input Current	82A
Output Power (@ 277V AC)	22160 W MAX
Switched Relay Circuits	4
Relay circuits - Line IN/OUT	4 x Press lock connectors

## Data

Power Connector	1 x 9 pin Phoenix
DMX/RDM Input	1 x 5 pin Phoenix
Vision.Net	1 x 9 pin Phoenix
Link (to additional units)	1 x 3 pin Phoenix
10V / DALI Output	4 x dual press down connectors
Dali Load Rating/channel	130mA

## Connectivity

Protocols	DMX512
	RDM
	Vision.Net
	DALI (Broadcast Only)

## Installation

Mounting	DIN rail
DIN Modules (standard unit)	9SU
DIN Rail Compatibility	TS35/7.5

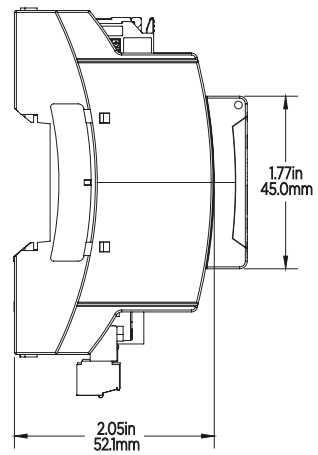
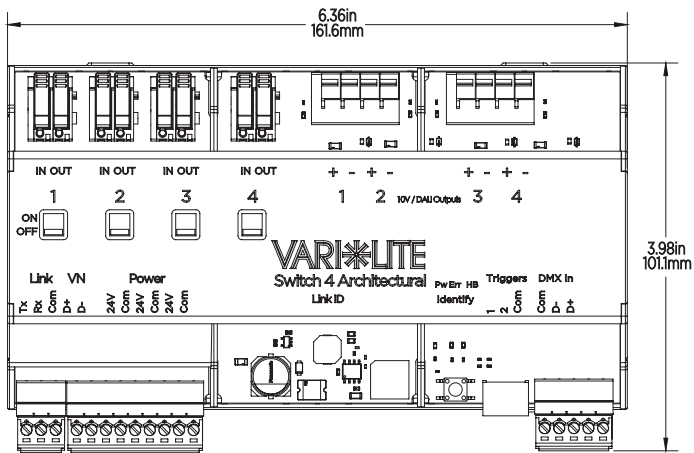
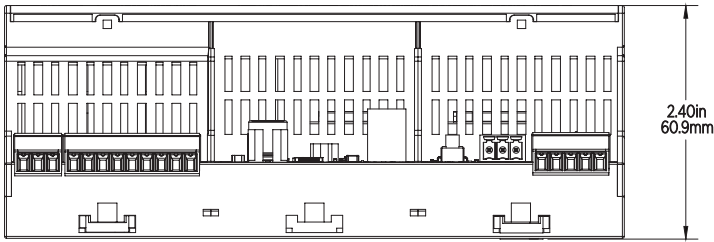
## Certification and Safety

Ingress Protection	IP20
Approbations	cETLus, CE, UKCA
Conformity	UL\CSA\ETL60730, UL927

## Physical

Construction	Polycarbonate
Housing Color	Black
Dimensions (H x W x D)	101.6 x 161.6 x 60.7 mm (4 x 6.36 x 2.39 in)
Weight w/connectors	0.2 kg (0.5lb)
Operating Temperature	0 - 40°C (32 - 104°F)
Cooling System	Free air convection, fanless
Humidity	20-90% non-condensing

# Dimensions



# Product and Accessories

Product Name	Order Code
Switch 4 Architectural	53818-704

VARI\*LITE

© 2024 Signify Holding. All rights reserved. All trademarks are owned by Signify Holding or their respective owners. The information provided herein is subject to change, without notice. Signify does not give any representation or warranty as to the accuracy or completeness of the information included herein and shall not be liable for any action in reliance thereon. The information presented in this document is not intended as any commercial offer and does not form part of any quotation or contract, unless otherwise agreed by Signify. Data subject to change.

Vari-Lite

May 1, 2024