



Description

The SA502 is 50-watt per channel (4 Ω) Class D amplifier with maximum gain of 34 dB. Input options include balanced stereo Euroblock, unbalanced line level mini jack, and a stereo speaker level (amplified) Euroblock input for applications with low wattage speaker outputs. The SA502 has three operating modes: stereo, dual mono, or bridged mono. In stereo, each input channel flows directly to its corresponding output channel. In dual mono, the left input is fed to both output channels. In bridged mono, the left input is fed to the bridged output. System includes selectable 12-32 V external trigger input or auto standby to conserve energy.

SA502 PRODUCT SPECIFICATIONS

System Type	50 W per channel (8 Ω) class D amplifier
Frequency Response	20 Hz - 20 kHz
Max Gain	34 dB (8 Ω)
Power per Channel @ < 10% THD	55 W (8 Ω) 2 x 70 W (4 Ω)
Power per Channel @ < 1% THD	50 W (8 Ω) 65 W (4 Ω)
Bridged Mono Power @ < 1% THD	90 W (4 Ω)
Power Supply Requirement	32 V DC, 3.75 A
Signal to Noise Ratio	> 83 dB (50 W)
Input Impedance	47 K Ω line level, 600 Ω balanced
Input Sensitivity	0.5 V line input
High-pass Filter (F ₃)	120 Hz (12 dB per octave) selectable
Height	30.5 mm 1.2"
Width	99.1 mm 3.9"
Depth	101.6 mm 4"
Weight - Amp Only	0.26 kg 0.56 lbs
Packaging	One per box
Included Accessories	Power Supply, stereo RCA female to mini male adapter, pole/surface mount adapter, two male 4-pin Euroblock connectors and two 3-pin Euroblock connector
Optional Accessory	Rack mount adapter (AC-SA502-RMA)
Certifications	CE, RoHS, FCC, UL60065, ETL-c/US
Operating Temp Range	-20°F - 150°F

Features

- 34 dB maximum gain with 2 x 50 W output
- Three operating modes: stereo, mono, or bridged mono
- Three user selectable inputs: balanced stereo (Euroblock), stereo unbalanced mini jack, or high level Euroblock
- External 12-32 V trigger
- Signal detecting auto standby to conserve energy
- Bi-color LED on front panel indicates when unit has power (red) and when signal is sensed (blue)
- Dual concentric gain controls for independent channel control
- 20 Hz - 20 kHz frequency response
- 120 Hz high pass switch (defeatable)
- Small size - 2.2" x 3.9" x 4"
- Rugged aluminum housing
- Optional Accessories: rack mount adapter kit (AC-SA502-RMA)

Applications

Small, powerful and cost-effective, the SA502 is engineered for external amplification with SoundTube and other high-fidelity speakers. Additional applications include digital signage, education, point-of-purchase, museums, surgical centers, A/V carts or any application where a small amplifier is needed to boost a limited source output (e.g., computers, A/V projectors, etc.).

Patented Technologies

SoundTube Entertainment and the MSE Audio Group constantly develop new technologies which enhance audio product performance. SoundTube Entertainment innovations are protected by multiple U.S. and international patents, which explicitly cover SoundTube dome, enclosure and dispersion technologies. The MSE Audio Group actively defends its patents in order to protect SoundTube resellers and end-users.

Technical Data and Specification Tools

SoundTube Entertainment strives to provide complete and effective technical information and data to dealers, engineers and designers. All data is available from SoundTube Entertainment or at www.soundtube.com.

Technical data and downloads include:

- EASE™ data - 3-D polar plots.
- EASE™ Address - 2-D modeling for distributed systems
- AutoDesk® Revit® software
- Tech Sheets - technical information and architectural specs for system engineers
- SoundTubeSPEC™ - Proprietary speaker placement software

Independent Data Acquisition and Verification

All data for SoundTube speakers are independently collected and verified by NWAALabs (www.nwaalabs.com) using their proprietary MACH testing system. All data are collected and analyzed according to ASTM, ISO and AES standards using EASERA, TEF and MLSSA. Full balloon data including both phase and magnitude are compiled into a variety of formats including EASE 4.x, GLL and CLF.

Architectural Specifications

The amplifier shall be a 50-watt per channel (8 Ω) Class D amplifier.

The amplifier shall provide three inputs including a balanced stereo Euroblock, unbalanced line level mini jack, and a stereo speaker level (amplified) Euroblock input for applications with low wattage speaker outputs. The SA502 also includes a variable 34 dB maximum gain control. The amplifier shall provide three operating modes including stereo, dual mono, or bridged mono.

Performance specifications of a typical production unit shall be as follows: 50 watts per channel (20 Hz - 20 kHz, 8 Ω, stereo) or 65 watt per channel (20 Hz - 20 kHz, 4 Ω stereo) at 1% THD. The high-pass filter shall have an f_3 of 120 Hz and a slope 12 dB per octave.

The external wiring output connector shall be a Euroblock connector that

accepts from 12 - 22-gauge wire. The power input shall either be by three-pin Euroblock that accepts from 12 - 22-gauge wire or barrel connection. The system shall be for indoor applications.

The enclosure shall be constructed of extruded aluminum with integrated heat-sink fins. Overall cabinet dimensions shall be no more than 30.5 mm (1.2") in height by 99.1 mm (3.9") in width and 101.6 mm (4.0") in depth.

The system shall include the amplifier, pole/surface mount adapter, power supply, stereo RCA female to mini male adapter, two male 4-pin Euroblock connectors and two 3-pin Euroblock connectors.

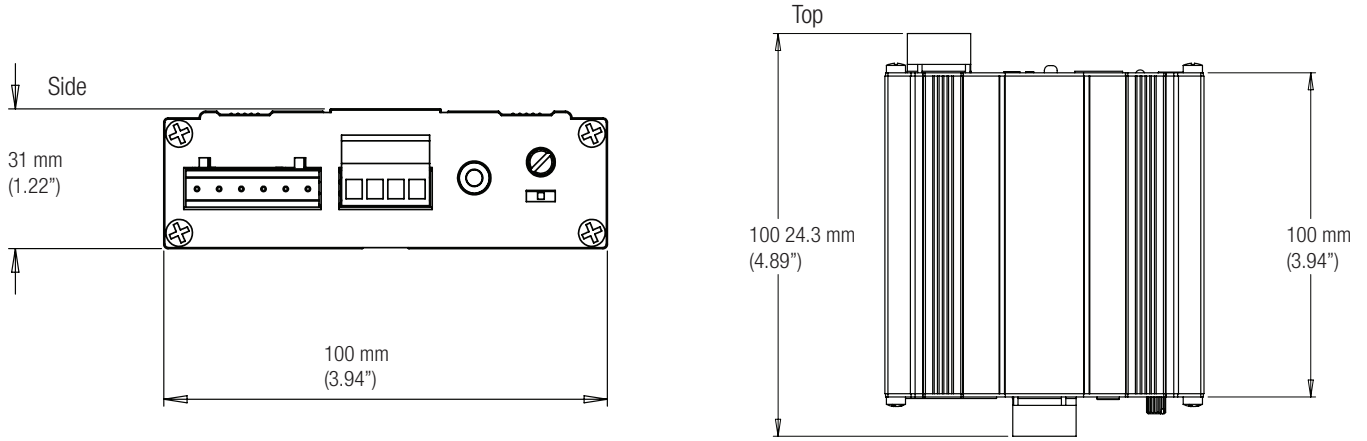
The system shall be the SA502 for amplification.

SoundTube®

13720 W. 109th St.
Lenexa, KS 66215
Phone: 913.663.5600
Fax: 913.663.3200
Toll Free: 855.663.5600
www.mseaudio.com

All SoundTube speakers come with a 5-year limited warranty and 3-year warranty on all electronics.

Mechanical Drawings



Included Accessories

