

Model SF-TPRS12A Line-Level Sender / Receiver



- Four Separate Three-Pair Format-A Sender Sections
- Four Separate Three-Pair Format-A Receiver Sections
- Up to 24 Audio Channels, 12 Sender; 12 Receiver
- +4 dBu Balanced Audio Inputs and Outputs
- Local Audio Connections on Detachable Terminal Blocks
- Utilizes All Three Format-A Pairs
- Local Power Feeds all Modules Connected to RJ45 Connectors
- Wiring Fault Protection by Automatic Resetting Fuse
- Local Power Input on Terminal Block or dc Power Jack
- Green LED per Section Indicates Validity of Module Remote Power
- Studio-Quality Precision Active Balanced Circuitry

APPLICATION: The SF-TPRS12A is a Format-A chassis that provides four three-pair audio sending sections and four three-pair audio receiving sections.

Sending Section

The SF-TPRS12A provides four audio sending sections compatible with RDL Format-A twisted pair products. Three +4 dBu balanced line-level sources may be connected to each section on a detachable terminal block. That section converts and transmits those signals on pairs A, B and C of the associated RJ45 connector.

The SF-TPRS12A feeds all three signal pairs in the twisted pair cable. No other sending modules may be connected on the same cable with each RJ45 output.

Receiving Section

The SF-TPRS12A is a four-section audio receiving chassis compatible with RDL Format-A twisted pair products. Each section receives up to three audio sources and provides three outputs corresponding to signal pairs A, B and C. A studio-quality buffer amplifier feeds +4 dBu balanced outputs through a detachable terminal block.

The SF-TPRS12A features bridging inputs, allowing it to be connected to the LOOP OUT jack of other receivers. The bridging input circuits used in all FORMAT-A twisted pair receivers allow connection of up to 10 receiver outputs for each cable pair.

Common

The SF-TPRS12A may be powered directly from a 24 Vdc power supply using either the power jack or the detachable terminal block. Local power connected to the module is also fed to all modules connected to the eight RJ45 jacks. Power for each RJ45 connector is protected against wiring faults by an automatically resetting fuse. Front-Panel green LEDs indicate valid module power on each RJ45.

Model SF-TPRS12A Line-Level Sender / Receiver

Installation/Operation

CE Declaration of Conformity available from rdlnet.com.
Sole EMC specifications provided on product package.
Specifications are subject to change without notice.



LINE-LEVEL SENDER / RECEIVER
12 AUDIO CHANNELS

Connection from Single-Pair, Two-Pair or Three-Pair Senders (direct, or via an RDL Twisted Pair Power Inserter)

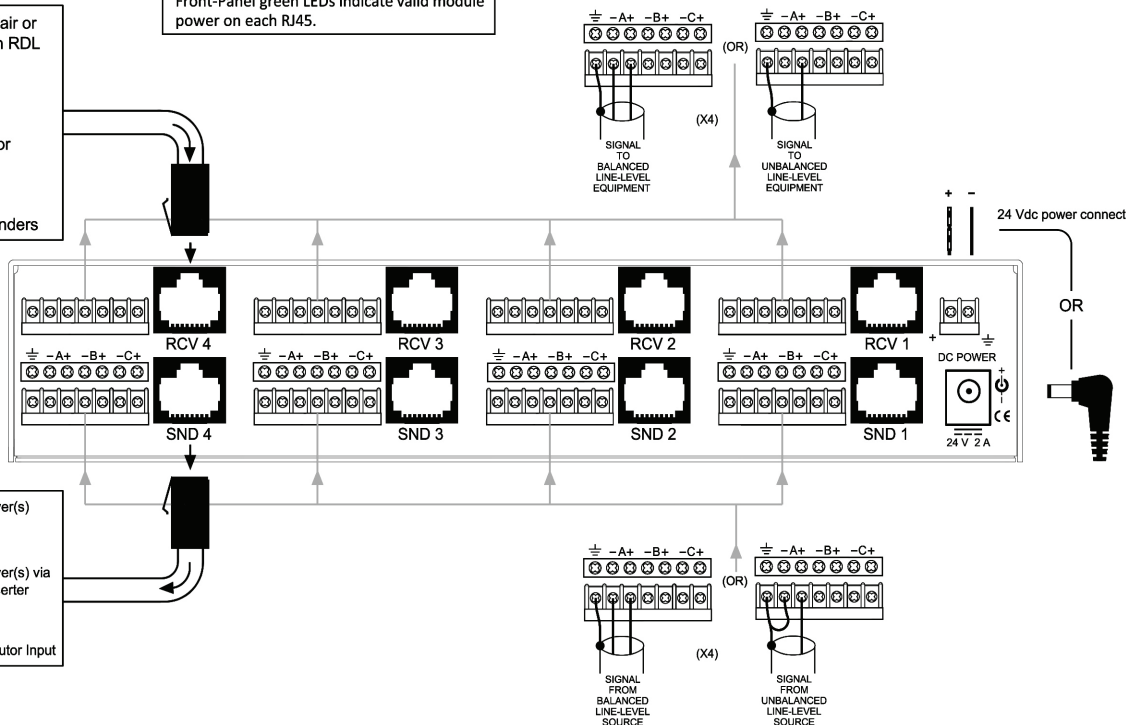
or

Connection from Format-A Distributor

or

Connection from other Format-A Senders

Front-Panel green LEDs indicate valid module power on each RJ45.



Connection to Format-A Receiver(s)

or

Connection to Format-A Receiver(s) via an RDL Twisted Pair Power Inserter

or

Connection to Format-A Distributor Input

TYPICAL PERFORMANCE

Sending Section

Inputs (12): 20 kΩ balanced

Input Connection: Detachable Terminal Block (Balanced)

Input Level: +4 dBu Bal.; +22 dBu Max

Format-A Signal Pairs Used (3): A, B, C

Output: RDL Format-A

Output Connection: RJ45

Frequency Response: 10 Hz to 50 kHz (± 0.1 dB)

THD+N: < 0.005%

Noise below +4 dBu: < 90 dB

Crosstalk: < 85 dB (20 Hz to 20 kHz)

Headroom above +4 dBu: > 18 dB

CMRR: > 60 dB (50 Hz to 150 Hz)

Receiving Section

Inputs (4): RDL Format-A

Input Connections: RJ45

Format-A Signal Pairs Used (3): A, B, C (per section)

Outputs (12): 150 Ohms Balanced

Output Connection: Detachable Terminal Block (Balanced)

Output Level: +4 dBu Bal. nominal, +22 dBu Max

Frequency Response: 10 Hz to 50 kHz (± 0.1 dB)

THD+N: < 0.005%

Noise below +4 dBu: < 90 dB

Crosstalk: Below noise floor (20 Hz to 20 kHz, +4 dBu input)

Headroom above +4 dBu: > 18 dB

CMRR: > 80 dB (50 Hz to 150 Hz)

Common

Indicators (8): Power (1 per RJ45)

Power Connections (2): Power Jack; Detachable Terminal Block

Ambient Operating Environment: 0° C to 50° C

Power Requirement: 24 Vdc @ 400 mA plus connected loads (1.6 A max)

Dimensions: 8.74" (22.2 cm) W; 1.68" (4.27 cm) H; 5.78" (14.68 cm) D

Package Type: Cardboard Box

Package Dimensions: 9.5" (24.1 cm) W; 2.25" (5.71 cm) H; 7" (17.8 cm) D

Shipping Weight: 2.65 lbs.

WEEE weight: 2.31 lbs.

Tariff code: 8543.70.9960

Radio Design Labs Technical Support Centers

U.S.A. (800) 933-1780, (928) 778-3554; Fax: (928) 778-3506
Europe [NH Amsterdam] (+31) 20-6238 983; Fax: (+31) 20-6225-287