



SolidDrive SD1sm Specifications

Type	Full Range Transducer
Impedance	8 Ohm
Frequency Response (Hz)	70 Hz to 15 kHz
Recommended Amplifier Power	10 – 100 Watts
Dimensions	2.28" Diameter x 2.08" Height Mounting Plate 3.5" Diameter
Weight	1.2 lb / .54 kg
UL Listing	1480 & 2043

NOTE: When installed in Canada, this product must be installed in accordance with the Canadian Electrical Code, C22.1, Part1.

SolidDrive

INSTALLATION & USE GUIDE

for SolidDrive SD1sm to wood, laminate, and composite surfaces

Experience Audio Perfection

Induction Dynamics extensive line of audio products makes it easy to create the ultimate audio system, regardless of installation requirements. Induction Dynamics builds these products with only the most select components and materials; and utilizes numerous unique and proven technologies.



INSTALLATION OF SOLIDDRIVE SD1G TO WOOD SURFACES

By utilizing these basic installation steps, you can install the SolidDrive SD1sm on wood, laminate, composites, and other porous surfaces. The SD1sm is commonly used on desks, conference tables, cabinetry, and other furniture.

GETTING STARTED WITH SOLIDDRIVE

What's included with the SolidDrive SD1sm for installation to wood surfaces —

A SolidDrive SD1sm consists of: One (1) SolidDrive SD1sm unit and attached wiring harness with Eurostyle connector. Installation requires four (4) wood screws up to #9 (supplied by installer).

For wooden surfaces: The SolidDrive SD1sm is designed with an oversized mounting base which is pre-drilled for mounting to wood surfaces.

WARRANTY

SolidDrives, SolidDrive subwoofers, and A4 amplifiers are guaranteed for 7 years from date of purchase. Any misuses or modifications to this equipment in any way will void the warranty.

WARNING

Read instructions prior to operating. To reduce the risk of fire or electric shock, do not expose this product to rain or moisture. Unplug prior to cleaning and clean with a damp cloth. There are no user-serviceable parts in this product, please refer all servicing to qualified personnel.

STEP 1

Mount the SolidDrive SD1sm to wood, laminate, and composite surfaces

The SolidDrive SD1sm can be installed directly to wooden surfaces to deliver high-quality sound. Even if your existing offices or conference rooms aren't wired for audio, the SolidDrive SD1sm provides a convenient solution and installs underneath desks, counter tops and conference room tables so the sound source is not visible.

The oversized mounting base on the SolidDrive SD1sm allows it to be screwed directly to the underside of furniture. For maximum output each SolidDrive channel should have available at least 20 square feet of surface area.

The SolidDrive SD1sm should be surface mounted with the oversized mounting base facing the mounting area. The mounting base is the audio output side opposite the label. For surfaces made of wood, laminates, and composites the SolidDrive SD1sm should be screwed directly to the surface.

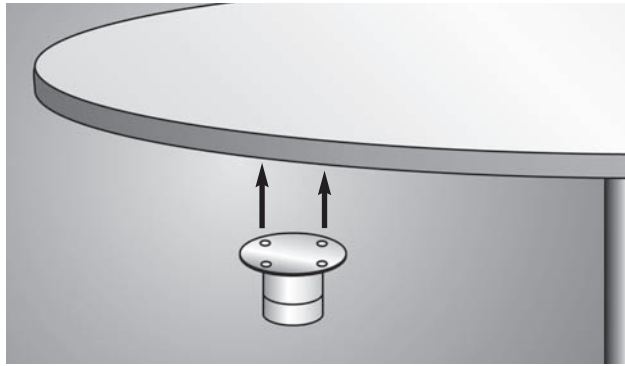


Figure 1
Mounting the SolidDrive SD1sm to a table

Once you have determined where to mount the SolidDrive SD1sm use the appropriate length wood screws to attach it securely to the surface. The best mounting location is typically out of sight on the underside or back of desks, counter tops, conference tables or other office/home furniture. Make sure to install the SolidDrive SD1sm in a location where it will not be jostled or bumped easily. For example, if installing the SolidDrive SD1sm on the underside of a table, mount it in the middle away from where people's legs will be. The four pre-drilled mounting holes on the SolidDrive SD1sm oversized mounting base will hold wood screws as large as #9.

Some installations may require that pilot holes be drilled into the surface material due to its hardness especially if larger, course thread screws are used.

STEP 2

Make the electrical connections

Make the electrical connection between the SolidDrive SD1sm and the speaker cable using the Eurostyle connector attached to the end of the SolidDrive SD1sm audio cable. The polarity of the wiring is clearly indicated (Figure 2). **NOTE: When installed in Canada, this product must be installed in accordance with the Canadian Electrical Code, C22.1, Part1.**

NOTE: If installing the SD1sm using the optional heat sink, slide it over the SD1sm housing body and tighten with the included mini hex key. DO NOT OVERTIGHTEN as this could strip the screw.

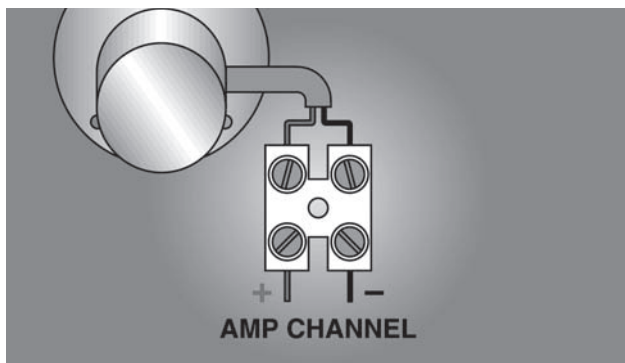


Figure 2
Eurostyle connector

STEP 3

Equalize the SolidDrive SD1sm sound system

The surface material plays a key role in the system's sound performance. To ensure an optimal listening experience the installer MUST equalize the SolidDrive SD1sm system. Equalization is accomplished by using the optional SolidDrive Drywall Passive Equalization Module (not UL approved) or using the auto equalization feature available on some receivers.

INSTALLATION NOW COMPLETE – ENJOY THE SOLIDDRIVE SD1SM SOUND SYSTEM

Now that you've completed the installation process and equalization, you can enjoy the audio perfection of the Induction Dynamics SolidDrive SD1sm sound system.

HIGH OUTPUT INSTALLATIONS

For installations requiring high output, such as a large conference table or other high output type application, two SolidDrive SD1sm's should be used for each of the high output channels (for example the left, right, and center channels of a home theater or the left and right channels of a high output stereo system). The two SD1sm's should be wired in series for each of the high output channels (Figure 3). For maximum output each SolidDrive SD1sm should have at least 20 square feet of surface area.

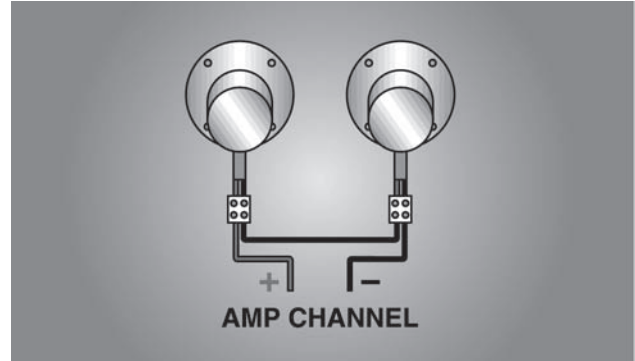


Figure 3
SolidDrive SD1sm's wired in series for high output installations

HOW THE SOLIDDRIVE SD1G WORKS ON WOOD

With the SolidDrive SD1sm you can make any desk, conference table, cabinetry, and other furniture into a speaker.

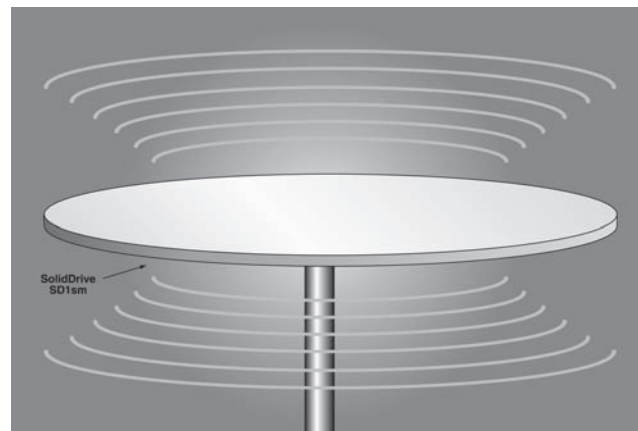


Figure 4
SolidDrive SD1sm making a table into a speaker