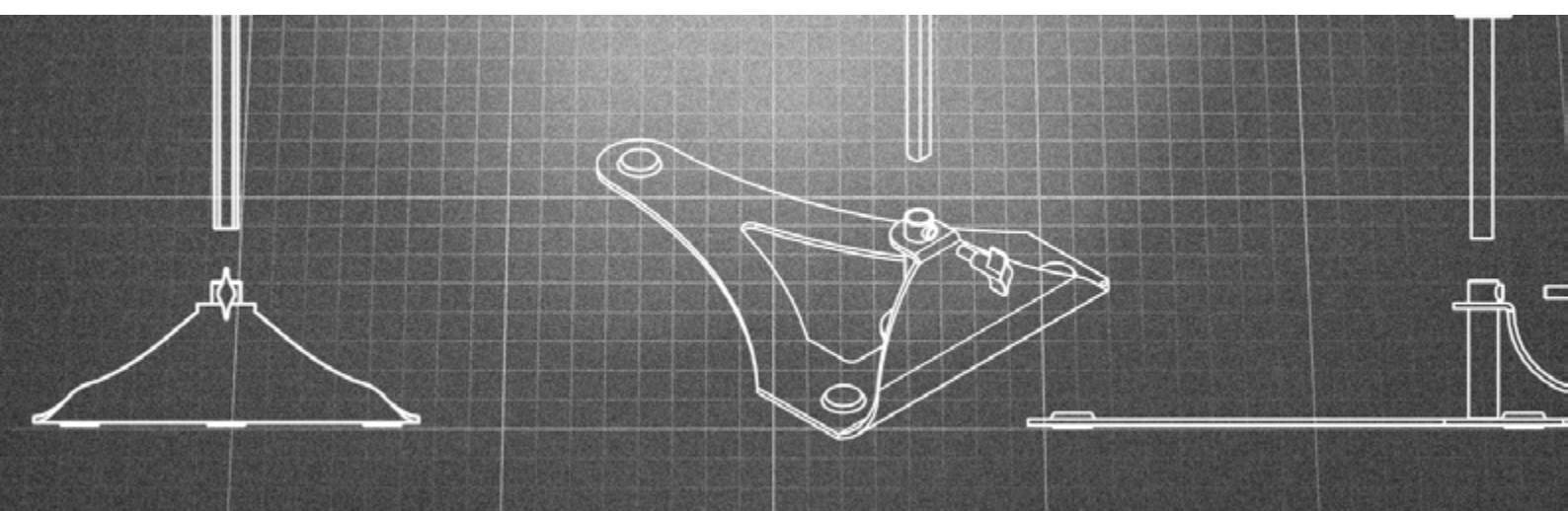
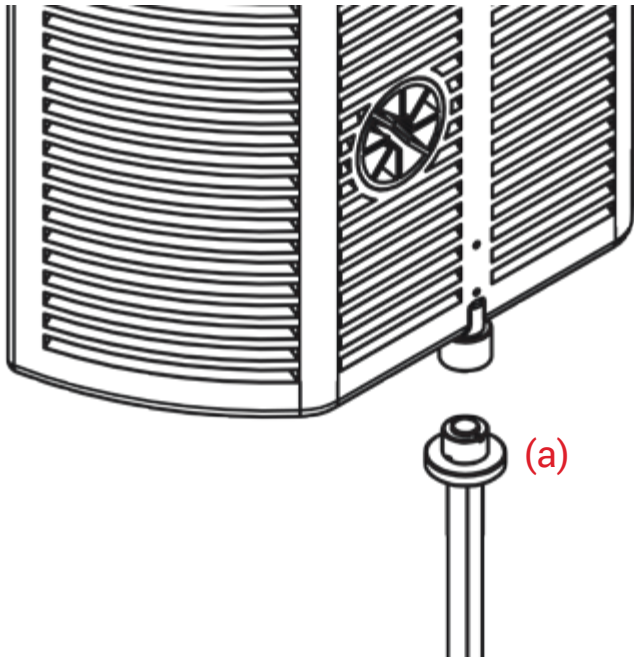


guita**RF**™ ASSEMBLY + USE





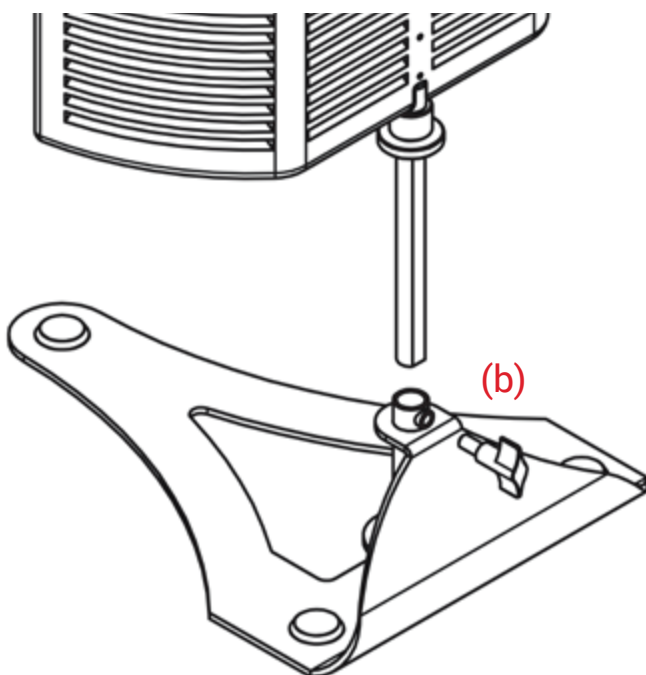
Thank you for purchasing an sE Electronics gitaRF! We hope it helps make your records and live shows sound great, and makes recording guitars & bass (and anything else!) that much easier for you.



STEP ONE

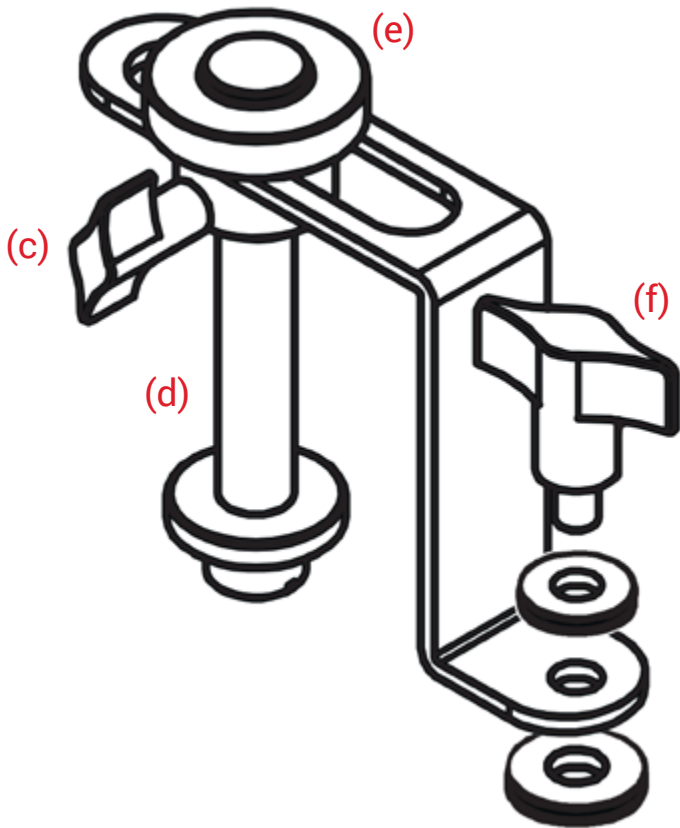
Screw the vertical standoff into the bottom of the filter, making sure the flat side of the standoff is aligned with the *back* of the filter. Use the included wrench to adjust the tightening nut on the standoff (a) to make sure they're aligned properly.

Alternatively, the gitaRF can be mounted to any standard mic stand thread, 5/8" or 3/8" (with the included 3/8" adapter).



STEP TWO

Making sure the flat side of the standoff is facing the screw on the back of the base stand, insert the standoff (with the filter attached) into the base, and tighten it securely in place with one of the two included smaller screws (b).

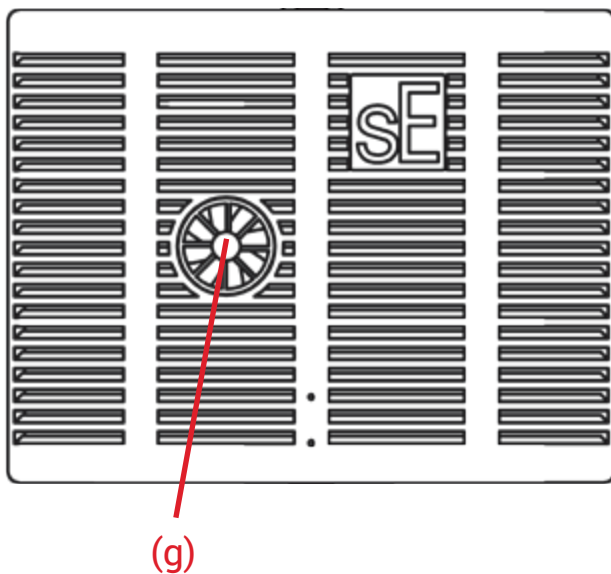


STEP THREE

Use the second of the smaller screws (c) to tighten the vertical adjustment rod (d) to the hardware. This screw/rod can be used to raise or lower the condenser or ribbon hung from the guitarRF hardware, with (e) used to move it towards or away from the filter.

STEP FOUR

Attach the hardware to the top of the guitarRF with the included larger screw (f), rubber washer on top of the bracket, and paper washer underneath. This screw can be used to rotate the hardware mount relative to the filter.



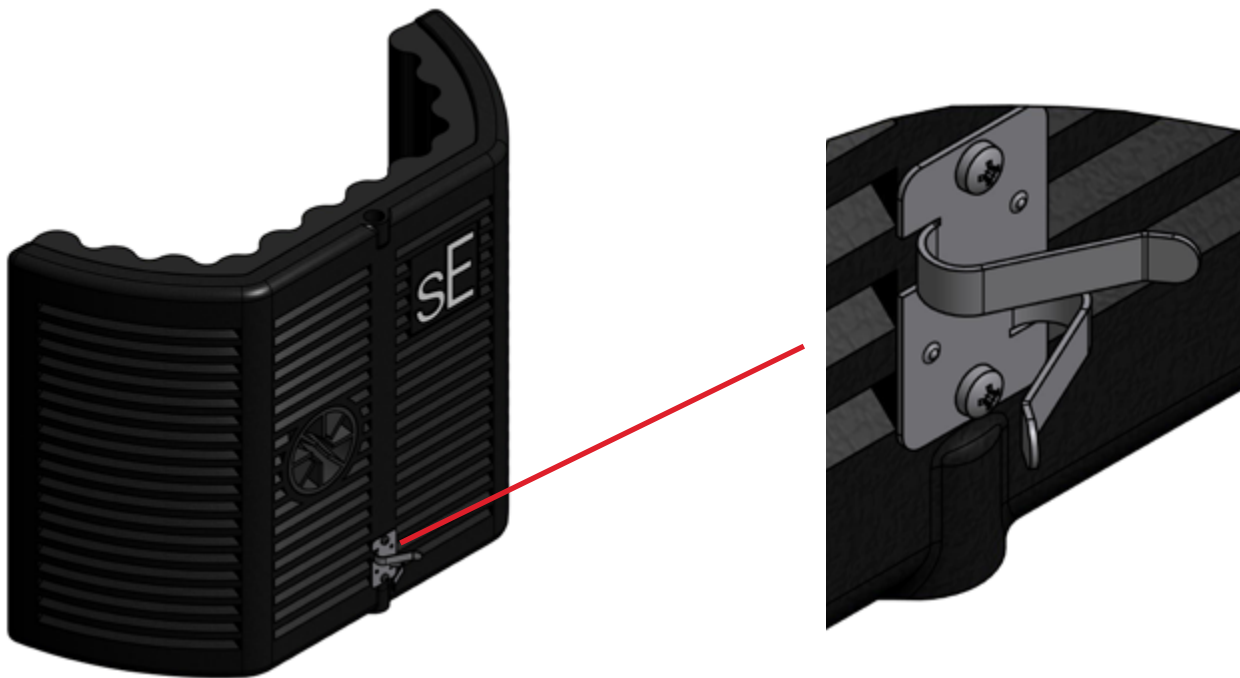
STEP FIVE

Insert your dynamic or small-capsule mic into the pass-through hole (g) of the guitarRF. It should fit snugly.

Screw your condenser or ribbon's mic clip (or shockmount) onto the hanging vertical adjustment rod (d), and then use (c), (e) and (f) to fine-tune the position of the hanging mic relative to the dynamic/small-capsule mic.

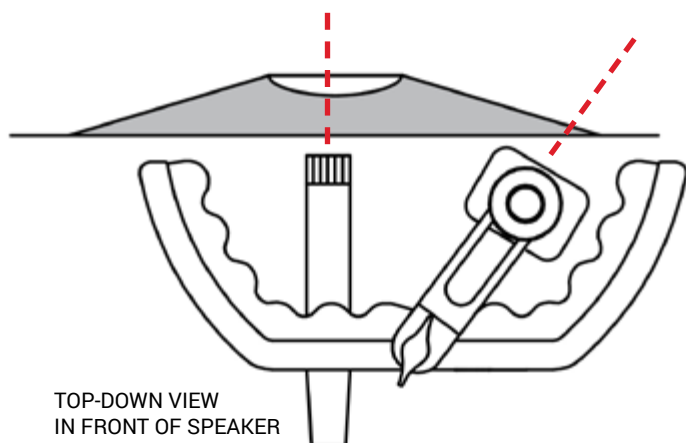
USING THE CABLE CLIPS

Your guitarRF comes with a small metal bracket that can be used to keep your mic cables tidy on the back of the filter. This will also help prevent your mic positioning from being altered if the cable is accidentally moved or stepped on.



Using a Phillips-head screwdriver, attach the bracket to the filter using the two small included screws, through the two pre-drilled holes in the back of the filter (as shown above). You can then fit one or two mic cables under the clips, gently folding the clips over the cables to keep them in position.

TIPS & TRICKS



ELECTRIC GUITAR

As an alternative to side-by-side miking, aim a dynamic mic or SDC ([like the sE5](#)) at the center of the dustcap, and angle a ribbon mic ([like the VR1](#)) towards the edge of the cone.

A fraction of an inch of movement will change your mics' phase relationship (and tone) a lot, so feel free to experiment!

ALSO: Try recording the mics to separate tracks so you can tweak your sound in the mix without adding more EQ. Mix the ribbon louder for bigger rhythm sounds, and bring in the dynamic for more "edge" during a solo.

ACOUSTIC GUITAR

Unscrew the base and mount the guitarRF on a mic stand, and use a small-diaphragm condenser on the upper three strings and a ribbon on the lower three strings - pan this in the mix for a HUGE sound.

You can also try mounting it sideways on a stand in front of the guitar (so the guitarRF curves OVER the mics) to keep a loud singer/songwriter's voice out of their guitar tracks.

DRUMS

Use it outside the kick drum, with a condenser [like the X1 D](#) on the hanging mount - & try sticking a short mic boom arm through the pass-through hole into the kick drum for your inside-kick mic.

ALSO: Try positioning it between the hi-hat and the snare to dramatically reduce hi-hat bleed.

VOCALS

Double-mic your singer with your favorite condenser AND a dynamic mic (or an SDC). This way you get the ability to blend in the dynamic mic in the loudest parts of the song for massive-sounding vocals, or switch to the SDC for a different vocal texture.

These vocal tips work great for "live in studio" tracking, and help you keep a great reference vocal track with less instrument bleed.

For more information, and to register for your extra year of warranty, please visit seelectronics.com.

We've got lots of tips and tricks on our site for all kinds of instruments, and are adding more all the time.