

E.SHOW mini TW+



- RGBALC LED Engine
- 4.500lm luminous flux
- App Control / Wireless DMX
- IP65 In/Outdoor



entertainment and architectural sectors and offers a battery version as an important innovation. The flexibility and variety of options previously offered by its bigger brother E.SHOW in terms of light quality, size and accessories is now even more pronounced thanks to the completely wireless application option, offering customers that certain extra freedom of choice. The E.SHOW mini is the tool for stage, trade fair, theatre or film, now even more compact. The E.SHOW mini includes two LED versions, the already familiar Tunable White (RGBALC) and Full Color. Designed for indoor and outdoor use, the luminaire is IP65 certified and made of robust die-cast aluminium. In addition to control via DMX, RDM or standalone, ROXX® integrates the wireless technology of the Swedish manufacturer Lumenradio. The integrated Bluetooth interface enables direct control via an iOS device using ROXX.APP. The ROXX® E.SHOW mini series uses the already popular single-source LEDs that produce a very uniform, powerful light without colour or multi-shadows, and LED variants including a Tunable White (RGBALC) and a Full Colour (RGB+Lime) version. Both circular and elliptical emitting Micro Fresnel lenses can be changed easily, quickly and without tools, as usual, thanks to the specially developed and protected ROXX® R.LOK® technology. The beam angle can thus be conveniently adjusted, whether 14°, 23°, 35°, 52° or elliptical 30° x 15° and 46° x 17.5°.



Accessories



Lenses



Safety Free Accessory Holder



8-Way Barndoor



Honey Comb



Omega Bracket ST



Full Anti Glare Shield

Apps



Technical Data

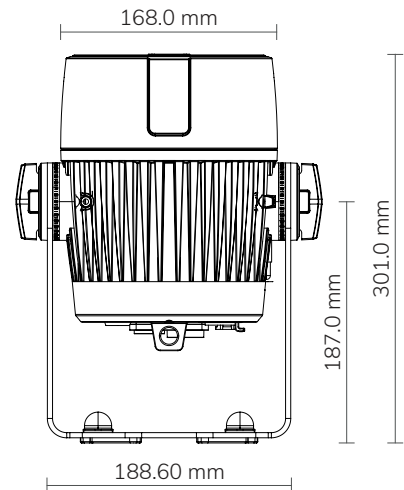
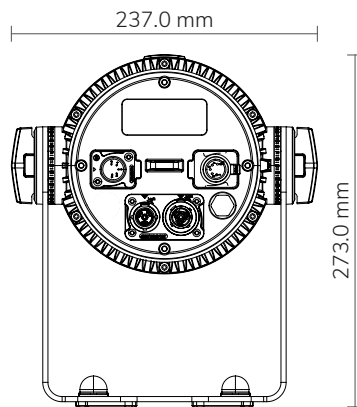
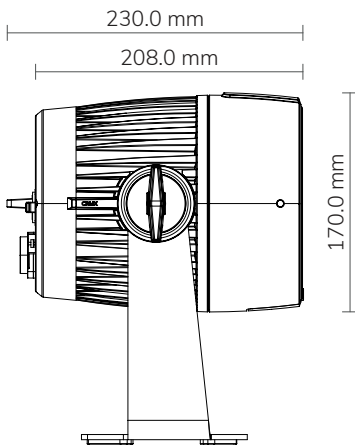
Photometrics	
LED expected lifetime	50.000 hours
Lightsource	1x200W RGBALC
Type of optical system	reflector + interchangeable lens plates
LED PWM Frequency	selectable 800Hz, 1.200Hz, 2.000Hz, 3.600Hz, 12kHz, 25kHz
Beam angles (50%)	14° (with VN lens)
	23° (with N lens)
	35° (with M lens)
	52° (with W lens)
	30° x 15° (with EN lens)
	46° x 17,5° (with EW lens)
Maximum Field angles (10%)	25° (with VN lens)
	43° (with N lens)
	69° (with M lens)
	86° (with W lens)
	58° x 34° (with EN lens)
	73,5° x 40° (with EW lens)
Color temperature range	2.000-10.000K
CRI/Ra	97
TLCI	95
Efficacy (max)	38,14 lm/W
Luminous flux	4501 lm
illuminance Lux @ 3m (with VN lens)	4130lx
illuminance Lux @ 3m (with N lens)	2540lx
illuminance Lux @ 3m (with M lens)	888lx
illuminance Lux @ 3m (with W lens)	487lx
illuminance Lux @ 3m (with EN lens)	1520lx
illuminance Lux @ 3m (with EW lens)	1065lx
Dimensions & Weight	
IP class	IP65
Body material	Aluminum, Nylon
Lens material	Tempered glass front
Net dimensions (w x h x d)	170 x 273 x 230mm
Net dimensions inches	6,69 x 10,75 x 9,06 inches
Physical Head Straight Up Height	310mm (12,20 inches)
Net weight (including Yoke)	3,92 kg (8,64lbs)
Tilt	360°
Tilt Locking System	Locking system with angle indicator

Technical Data

Thermal Characteristics	
Cooling	Active, Forced Air, Temperature-regulated
Humidity (max.)	95%
Temperature range, Operating	-20°C to 45°C
Temperature range, Start-Up	-20° to 50°C
Temperature range, Storage	-20°C to 80°C
Thermal Protection	Automatic overtemperature protection
Electrical Data	
AC Power, max	90 – 285V 50/60Hz
AC Power, nominal	100 – 240V 50/60Hz
Electrical protection	Overload protection with automatic recover
Max Inrush Current	1,206A
Max power consumption	130W
Standby Power	5,5W
Max power thru @ 100 V	11A
Max power thru @ 230 V	11A
Power Factor	0.895 PF (230V) / 0.992 PF (120V)
Power Supply Unit	Inbuilt auto-ranging electronic switch-mode
Power Linking	12 units @ 120 V; 21 units @ 230 V
Included / optional	
Included items	2x radiator caps for pendant installation
	2m power cord
Optional Accessories	Multiple Lens Plates (circular & elliptical), Safety-Free Accessory Adapter, 8-Way Barndoor, Honey Comb, Full Anti-Glare Shield, Gel-Frame, Omega Bracket with quarter-turn fasteners, Touring Cases
Color options	Black – RAL 9004 (Standard)
	White – RAL 9010 (on request)
	Custom color – any RAL (on request)
Operator & Controller	
DMX Functions	Dimmer, Dimmer Fine, Shutter, Duration, Hue, Saturation, Red, Red Fine, Green, Green Fine, Blue, Blue Fine, Lime, Lime Fine, CCT, Tint, Color Macro, Color Macro Crossfade, Device Settings
DMX channels	3CH CCT, 3CH RGB, 6CH RGB, 9CH RGB, 11CH RGB, 14CH RGB, 6CH DIRECT, 12CH DIRECT, 13CH DIRECT, 20CH DIRECT, 3CH HSI, 10CH HSI
DMX modes	12
Protocol	CRMX, W-DMX™ G2, W-DMX™ G3, W-DMX™ G4, W-DMX™ G4S
	USITT DMX512A
	RDM ANSI E1.20
	Bluetooth Low Energy (BLE)
Setting and addressing	OLED graphical display / 4 controls
	RDM ANSI E1.20
Standalone mode	Auto Program, Editor, Color Macro, Quick Color, Tunable White, User Color, Timer

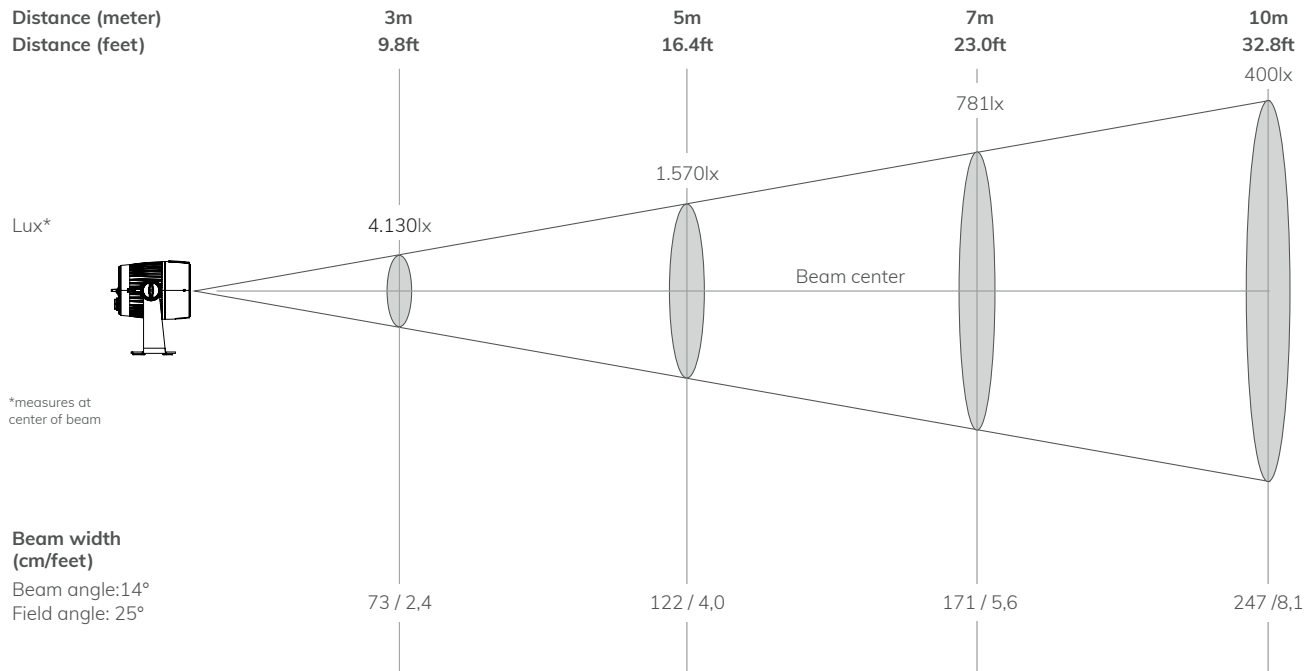
Technical Data

Wireless DMX	Lumenradio with RDM (CRMX)
Indicator	OLED graphical display
Controls	4 touch sensitive, backlighted controls
Strobe	0-20Hz
DMX I/O	IP65 XLR 5-pin male/female
Power In	TRUE1 compatible input & link-thru sockets
Installation	
Mounting point on fixture	1 x two quarter-turn locking points for optional Omega Bracket, centric hole 13mm (1/2"), 2x extra holes for TV Spigot
Orientation	Any
Rigging possibilities	Hanging or ceiling / pendant mount (Pendant blind caps included)
Safety features	rear mount for safety wire
Minimum distance from flammable materials	0,3 meters (11,8 inch)



Luminaire Photometrics

Very Narrow Lens



Lens	Beam / Field Angle	Distance							
		3m/9.8ft		5m/16.4ft		7m/23ft		10m/32.8ft	
		Illuminance lux	Diameter cm/feet	Illuminance lux	Diameter cm/feet	Illuminance lux	Diameter cm/feet	Illuminance lux	Diameter cm/feet
VN lens	14° / 25°	4130	73 / 2,4	1570	122 / 4,0	781	171 / 5,6	400	247 / 8,1
N lens	23° / 43°	2540	122 / 4,0	954	204 / 6,7	492	283 / 9,3	245	405 / 13,3
M lens	35° / 69°	888	189 / 6,2	327	314 / 10,3	171	442 / 14,5	85	631 / 20,7
W lens	52° / 86°	487	293 / 9,6	179	488 / 16,0	94	683 / 22,4	47	975 / 32,0
EN lens (v x h)	30° / 58° x 15° / 34°	1520	160 x 80 / 5,25 x 2,62	320	268 x 131 / 8,8 x 4,3	163	375 x 183 / 12,3 x 6,0	80	536 x 262 / 17,6 x 8,6
EW lens (v x h)	46° / 73,5° x 17,5° / 40°	1065	255 x 92 / 8,37 x 3,02	230	424 x 152 / 13,9 x 5,0	115	594 x 216 / 19,5 x 7,1	58	850 x 308 / 27,9 x 10,1

Order Number

SHOW mini	Order Number
E.SHOW mini TW+	11201001
Accessories	Order Number
E.SHOW mini Lens VN (Very Narrow)	11409701
E.SHOW mini Lens N (Narrow)	11408901
E.SHOW mini Lens M (Medium)	11409001
E.SHOW mini Lens W (Wide)	11409101
E.SHOW mini Lens EN (Elliptical Narrow)	11409201
E.SHOW mini Lens EW (Elliptical Wide)	11409301

Accessories	Order Number
Safety Free Accessory Holder	11909401
8-Way Barndoor	11909501
Honey Comb	11909501
Omega Bracket ST	90900002
SHOW Full Anti-Glare Shield	11909801

Further Versions



E.SHOW mini FC



B.SHOW mini TW+



B.SHOW mini FC

