



Sound To Light Converter

Product description

Audio signal converter to DMX-512 protocol.

The PX245 is designed to synchronize music with lighting control. This advanced and customizable driver is the only solution of this type in the offer of the PXM company. Device was placed in a housing of a width of 6 standard module rails equipped with a color LCD screen. This allows to program and control operation of the equipment in more intuitively way.

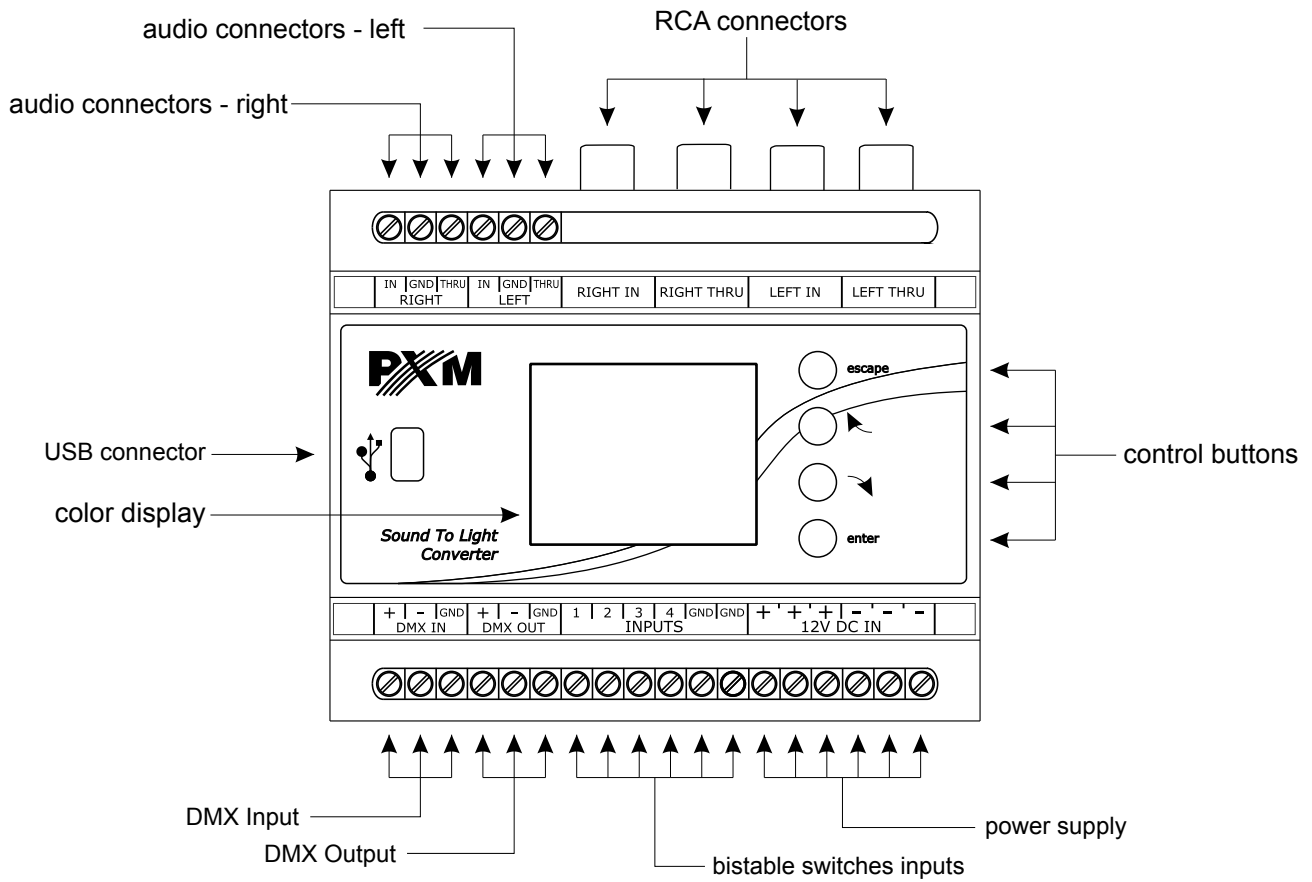
The PX245 can be either controlled by DMX, or act independently. In this case, there are available 16 fully programmable configurations. Those configurations can also change the parameters of audio signal processing.

USB connection allows you to communicate with the computer, the PXM company has created a software to manage the device configuration setting from the level of a computer running under Microsoft Windows®.

Technical data

Type:	PX245
Power supply:	12V DC
DMX input:	1 (512 channels)
DMX output:	1 (512 channels)
Bistable inputs:	4
Audio line input:	1
Sensitivity of line input:	200 mV(RMS) - 1,6 V(RMS)
Available configurable digital filters:	8
Filter sensitivity:	31 Hz - 8 kHz
Input connectors:	terminal blocks, RCA sockets, USB
Programmable configurations:	16
Configuration via PC:	YES
Dimensions:	Width: 105 mm (6-modules) Height: 86 mm Depth: 60 mm

Connection scheme



Dimensions - technical drawing

