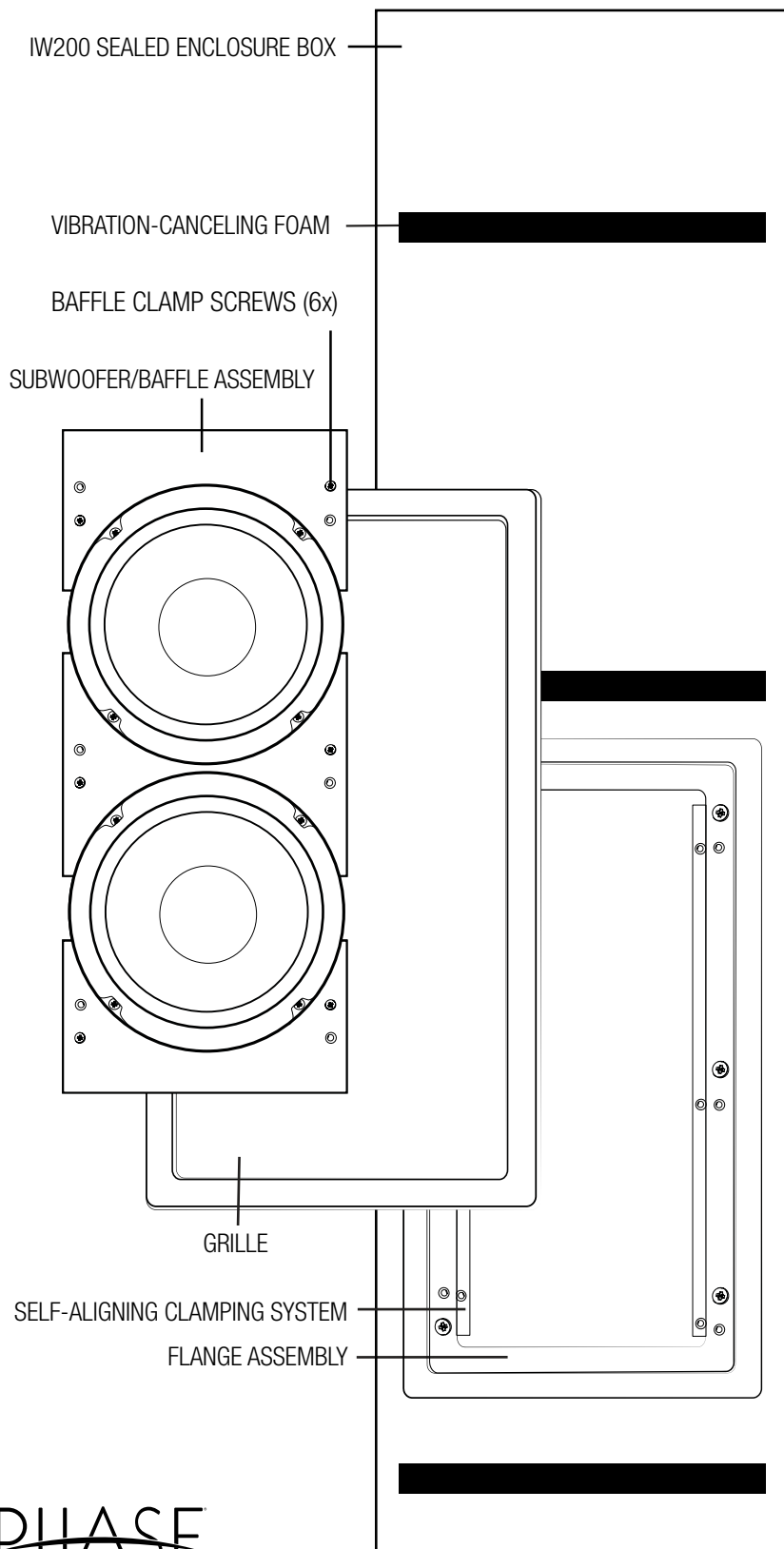


# IN-WALL SUBWOOFER

OWNER'S MANUAL: IW200-II



## [GETTING STARTED]

FOR EFFICIENT INSTALLATION, YOU WILL NEED THE FOLLOWING TOOLS:

- ELECTRIC SCREWDRIVER (DRILL) WITH PHILIPS BIT
- TAPE MEASURE
- STUD-FINDER
- SHARP FLAT BLADE SCREWDRIVER
- DRYWALL SAW OR KNIFE
- BUBBLE LEVEL
- PENCIL

Thank you for purchasing the Phase Technology® IW200-II active in-wall subwoofer and enclosure. These were engineered to deliver well-defined bass, while remaining virtually invisible in a room. Its vibration-isolating outer foam layer virtually eliminates the risk of buzzing and wall rattling.

The enclosure is designed for installation during new construction or major remodel jobs to fit between framing studs placed on 16" centers in rooms up to 3,300 cubic feet in volume. Larger rooms can simply use multiple IW200-II subwoofers and amplifiers.

The enclosure measures at 72" H x 14.4" W x 3.4" D. The woofer enclosure is for a dual 8" mono woofer system design that will be powered by the P350 subwoofer amplifier (sold separately).



During pre-wire, you will want to run a pair of wires from your source location to the woofer location.

Regardless of application, serious audiophile listening or home theater, we recommend that you take the time to read this manual thoroughly before connecting speakers to your amplifier or receiver. In the highly unlikely event that you should experience a problem with set-up or operation, please contact one of our authorized dealers for assistance, or contact us directly.

Phase Technology® Corporation  
8005 W. 110th St., Suite 208  
Overland Park, KS 66210  
855.663.5600 (Domestic)  
+1.913.663.5600 (International)  
913.663.3200 (Fax)

<b>SAFETY INSTRUCTIONS</b>	<b>2</b>
<b>INSTALLATION GUIDELINES</b>	<b>3</b>
<b>SPEAKER INSTALLATION</b>	<b>3</b>
<b>CARING FOR YOUR SPEAKER</b>	<b>4</b>
<b>MAINTENANCE AND SERVICE</b>	<b>4</b>
<b>WARRANTY</b>	<b>4</b>
<b>SPECIFICATIONS</b>	<b>4</b>

## [SAFETY INSTRUCTIONS]

	<b>CAUTION</b> RISK OF ELECTRIC SHOCK DO NOT OPEN	
CAUTION: To reduce the risk of electric shock, do not remove cover (or back). No user-serviceable parts inside. Refer servicing to qualified service personnel.		

### Explanation of Graphical Symbols



The lightning flash with arrowhead symbol, within an equilateral triangle, is intended to alert you to the presence of un-insulated "dangerous voltage" within the product's enclosure that may be of sufficient magnitude to constitute a risk of electric shock to persons.



The exclamation point within an equilateral triangle is intended to alert you to the presence of important operating and maintenance (servicing) instructions in the literature accompanying the appliance.

**1. Read Instructions** - All the safety and operating instructions should be read before the appliance is operated.

**2. Retain Instructions** - The safety and operating instructions should be retained for future reference.

**3. Heed Warnings** - All warnings on the appliance and in the operating instructions should be adhered to.

**4. Follow Instructions** - All operating and other instructions should be followed.

**5. Water and Moisture** - The appliance should not be used near water - for example, near a bathtub, washbowl, kitchen sink, laundry tub, in a wet basement, or near a swimming pool, etc.

**6. Carts and Stands** - The appliance should be used only with a cart or stand that is recommended by the manufacturer.

### PORTABLE CART WARNING



**7. Wall or Ceiling Mounting** - The appliance should be mounted to a wall or ceiling only as recommended by the manufacturer.

**8. Ventilation** - The appliance should be situated so that its location or position does not interfere with its proper ventilation. For example, the appliance should not be situated on a bed, sofa, rug, or similar surface that may block the ventilation openings; or placed in a built-in installation, such as a bookcase or cabinet

that may impede the flow of air through the ventilation openings.

**9. Heat** - The appliance should be situated away from heat sources such as radiators, stoves, or other appliances that produce heat.

**10. Power Source** - The appliance should be connected to a power supply only of the type described in the operating instructions or as marked on the appliance.

**11. Power Cord Protection** - Power supply cords should be routed so that they are not likely to be walked on or pinched by items placed up or against them, paying particular attention to cords at plugs, convenience receptacles, and the point where they exit from the appliance.

**12. Cleaning** - The appliance should be cleaned only as recommended by the manufacturer.

**13. Nonuse Periods** - The power cord of the appliance should be unplugged from the outlet when left unused for a long period of time.

**14. Object and Liquid Entry** - Care should be taken so that neither objects fall nor liquids spill into the inside of the appliance.

**15. Damage Requiring Service** - The application should be serviced by qualified service personnel when:

- the power supply cord or the plug has been damaged,
- objects have fallen onto or liquid has been spilled into the appliance,
- the appliance has been exposed to rain,
- the appliance does not appear to operate normally or exhibits a marked change in performance, or
- the appliance has been dropped or the cabinet damaged.

**16. Servicing** - The user should not attempt to service the appliance beyond those means described in the operating instructions. All other servicing should be referred to qualified service personnel.

**17. Grounding or Polarization** - Precautions should be taken so that the grounding or polarization means of an appliance is not defeated.

### APPLICABLE FOR USA, CANADA OR WHERE APPROVED FOR USAGE

**CAUTION:** TO PREVENT ELECTRIC SHOCK, MATCH WIDE BLADE PLUG TO WIDE SLOT, INSERT FULLY.

**ATTENTION:** POUR EVITER LES CHOCS ELECTRIQUES, INTRODUIRE LA LAME LA PLUS LARGE DE LA FICHE DANS LA BORNE CORRESPONDANTE DE LA PRESE ET POUSSER JUSQU'AU FOND.

## [INSTALLATION GUIDELINES]

When selecting a location to install the woofer, it is recommended the woofer be located near the left and right front speakers, near the floor or ceiling and close to a side wall. Avoid placing the woofer in the center of the wall, the center of the room, or on an opposite wall whenever possible. Room placement will affect the output of the IW200-II.

Before beginning your installation, it is recommended that you measure the bay (the space between studs) you intend to install the woofer enclosure. Although 16" centers are the standard for framing construction, you will likely find many variations. For the simplest installation and best results, select a bay that is clear of any obstructions like electrical wiring, gas or water pipes. The woofer enclosure is intended to rest on the bottom plate between vertical studs. The bottom (toe) plate is the 2" X 4" stud lying on the floor, to which the vertical studs supporting the wallboard are nailed. The height of the actual woofer in the enclosure was selected to allow the woofer-mounting flange used to mount the subwoofer system, to provide adequate clearance for decorative base molding up to 6" wide.

**Note: Installation of the subwoofers requires six (6) 2 1/2" drywall or deck screws to secure the subwoofer enclosure between the wall studs; and butt connectors, wire nuts, solder, and electrical tape, or solder and heat-shrink insulation are recommended to make the electrical connections to the amplifier (supplied by the installer).**

**Note: In custom homes, the base molding may be wider than 6" requiring a cutout around the mounting flange. You may wish to raise the woofer enclosure slightly above the bottom plate. Consult the general contractor if this is a concern.**

Choose the appropriate mounting location for each speaker.

**NOTE:** When deciding upon a location, consider the following:

- Be certain your speaker wires can be run to or are accessible from these locations.
- Make certain the wall or ceiling material is sturdy enough to support the weight and vibration of the speakers.
- Be certain the area behind the speaker is free of obstacles such as wall studs, electrical wiring, pipes, etc.
- Each speaker should be positioned properly, relative to the listening area for good coverage.

## [ENCLOSURE AND WOOFER INSTALLATION]

**STEP 1:** Open each end of the carton and slide the woofer enclosure out of the carton.

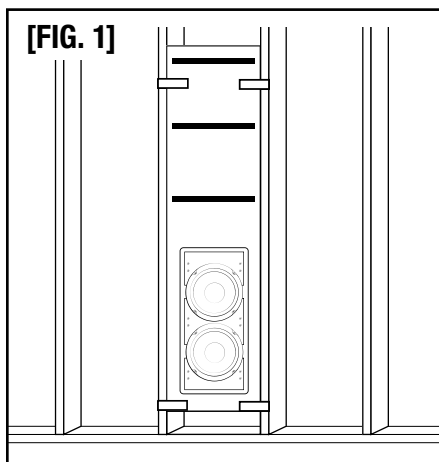
**Note: Do NOT pull the woofer enclosure from the packing carton using the speaker wires as a handle.**

**STEP 2:** Once the enclosure is placed between the framing, run screws through the stud and into the cabinet. We suggest no less than 6 per side. This will retain the woofer enclosure in place and prevent it from vibrating against the studs. The wood baffle over the opening in the enclosure is to be used as a guide for cutting a through hole in the drywall (Fig. 1). This needs to be removed after the drywall is up and when you are ready to install the IW 200 Subwoofer Flange and driver assembly into the enclosure.

**STEP 3:** Once the enclosure is in place you are ready to connect the speaker leads to the amplifier leads. The wire in the enclosure is 16-Gauge plenum rated UL approved stranded copper wire. You may make connections a number of ways including butt-connectors, wire nuts, electrical tape and solder. Soldered connections with heat-shrink insulation, is the recommend way to splice the amplifier and woofer wires. Please note the (+) terminals are indicated with a red wire.

**Note: Low voltage electrical codes differ by state. Check your local low voltage code before selecting a method of wire splicing. The drywall must be installed with the opening for the speaker to proceed to the next step.**

**STEP 4:** Carefully remove the speaker baffle from the aluminum frame assembly and set aside. Remove the flange assembly from the packing carton. The flange assembly must make a good seal to insure maximum performance. You will find two L-shaped foam gasket pieces in the bottom of the carton. Peel the removable tape from the gasket and stick the adhesive side to the backside of the flange. Upon installation of the flange assembly gasket will contact the front wall surface to form an airtight seal.



**STEP 5:** When you remove the flange assembly from the packing carton, you will notice the screws used to retain the clamp assembly are fully extended. To place the flange assembly into the wall push the clamp assemblies toward the center of the flange opening; the holes in the flange will allow the mounting screws to tilt toward the center opening enough to insert the flange assembly into the wall. Insert the right side into the wall cutout and slide the complete assembly to the right. This will enable you to then fit the left side clamp assembly into the cutout. Center the entire assembly in the opening.

**STEP 6:** Pinch the self-aligning clamp assembly inside the enclosure until it contacts the backside of the surface. This will force the three retaining screws to protrude from the front of the flange. Continue to hold the clamp with one hand and use the electric screwdriver to tighten the center screw of the flange. Once snug, repeat the procedure on the other clamp assembly. Using your level, verify the mounting frame is correctly aligned in the opening. Make any necessary adjustments then tighten the remaining screws until the frame is snug and securely clamping the enclosure board. Avoid over-tightening the screws.

**STEP 7:** You are now ready to install the speaker baffle into the mounting flange. An Euro-connector is supplied on the crossover board. This is a two-piece connector intended to make installation easier. Unplug the male portion of the connector from the circuit board. Insert the positive and negative conductors of your speaker wire into the screw terminal using care to properly connect the + & - leads correctly. Using a small flat blade screwdriver, tighten the screws in the connector to secure the wire.

**STEP 8:** When mounting the speaker baffle into the flange, pay particular attention to insure the speaker is mounted right side up. The rear panel of the baffle is marked for correct installation. Optimum performance may only be achieved when the speaker is mounted correctly. Plug the connector into the crossover observing the correct polarity then install the baffle into the flange assembly. Six screws are supplied to secure the baffle to the flange. Hold the baffle in position until you have at least two screws properly secured.

**STEP 9:** Insert the grille assembly by applying light pressure at each corner of the grill until flush with the flange assembly. A paint shield is supplied with each grille to protect the drivers in the event the customer wants the grill and flange assembly painted to match the wall color. Once the paint has dried, remove the grill and the paint shield and re-insert the grille. **NOTE:** A paper clip bent to have a small hook approximately 1/8" long makes a convenient tool for removing grille without scratching the finish.

**[CARING FOR YOUR PHASE TECHNOLOGY SPEAKER]**

All Phase Technology speakers are finished with a high degree of craftsmanship in either hand polished paint or vinyl laminates. We recommend using a lint-free rag with a small amount of glass cleaner to maintain the long-lasting beauty of the finish. Avoid products containing silicones, oils, oil derivatives, or solvents. Use a damp cloth on enclosures finished in vinyl laminates.

**[MAINTENANCE AND SERVICE]**

Because of Phase Technology's uncompromising quality control programs, it's unlikely that your speakers will ever need service if connected and used as outlined in this Owners' Manual. In the unlikely event that a problem does occur, please contact your Phase Technology® dealer. Your dealer has the necessary factory-authorized parts and trained technicians to quickly restore your speaker to its original performance specifications.

**[WARRANTY]**


**LIMITED WARRANTY:** Phase Technology warrants its loudspeakers to be free from defects in material and workmanship for a period of ten (10) years for speaker product, limited lifetime for CI speakers, and three (3) years for the electronic components to the original purchaser. Purchase must be made from an authorized Phase Technology dealer.

This warranty does not cover service or parts to repair damage caused by misuse, abuse, damage while in transit, alterations, unauthorized repairs, failure to follow instructions, fire, flood or any other cause beyond the reasonable control of Phase Technology. Defects in speaker cabinets or grilles must be brought to the attention of your dealer immediately after purchase. This warranty will be void if the products' serial number has been altered or removed.

Should your Phase Technology product require service, please call the MSE Audio customer service department for a return authorization. All merchandise returned to Phase Technology without prior authorization will be refused. For your return authorization number, please call 855.663.5600 or email sales@mseaudio.com.

**[SPECIFICATIONS]**

<b>IW200-II</b>	
<b>Description:</b>	Dual 8" In-Wall Subwoofer w/ Sealed Enclosure
<b>Nominal Impedance:</b>	4Ω
<b>Frequency Response:</b>	25 Hz - 160 kHz
<b>Recommended Power:</b>	350 W Peak
<b>Tweeter(s):</b>	N/A
<b>Midrange:</b>	N/A
<b>Woofers(s):</b>	(2) 8" Mica-Graphite Polypropylene w/ NBR Surround
<b>Inputs:</b>	Screw Terminals
<b>Grille:</b>	White Powder-Coated Galvanized Steel Magnetic Micro-Flange
<b>Dimensions:</b>	72" H x 14.4" W x 3.4" D
<b>Cutout Dimensions:</b>	20.5" H x 8.75" W
<b>Weight:</b>	40 lbs (In Enclosure)
<b>Included Accessories:</b>	In-Wall Enclosure
<b>Optional Accessories:</b>	P350 Subwoofer Amplifier (sold separately)



Copyright © 2016 MS Electronics, LLC. All rights reserved. MSE Audio, Phase Technology and PhaseTech are registered trademarks and "Speakers for your Life" is a trademark of MSE Audio, Overland Park, Kansas USA. Phase Technology is part of MSE Audio®. www.phasetech.com.