

NEO X SERVER

Date: _____
Type: _____
Firm: _____
Name: _____
Project: _____

Adding to our NEO family of products is the NEO X Server. This rack-mount device is designed to store and run pre-programmed shows using the same powerful NEO Lighting Control Console operating system software. The NEO X Server can sit on a LAN or operate independently for theatre, themed entertainment productions and more.

The touchscreen interface has multiple tabs to view, playback and configure the controller with unlimited cues, cue lists, groups, palettes, effects, and macros. Along with its ability to control timed events with sunrise/sunset, the NEO X Server also offers pixel mapping, magic sheet layouts, blind pre-visualization and much more.



- Runs Neo software – powerful, mature software platform designed for both theatrical and live event lighting.
- Advanced effects engine with chases, timeline and waveform effects, pixel mapping and more – get the perfect look in less time.
- Audio support with Line out, Mic in, SMPTE, and MIDI control – sync your lighting with the audio in your space.
- 100 DMX universes – create any size show without purchasing universe upgrades.
- Strong CITP visualizer protocol support – simplified integration with industry-leading Capture software and other visualization platforms using CITP.
- Connect third-party UPS over USB and display info on screen – view UPS info in your console while reducing shipping costs. Works with most major UPS manufacturers
- Support for ZerOS Wing for additional faders – add more faders when live busking



VARI*Lite

Specifications

Due to continuous improvements and innovations, specifications may change without notice.

Electrical

Operating Voltage	100–240 V AC
Input Current	3A @ 100V AC
Max Power Consumption	291 W
Power Input	IEC Cable
NEMA 1-15P (US), Type G (UK), CEE 7/7 (EU) included	

Data

Included license	100x Universes (51,200 channels)
DMX Out	4x Neutrik 5-pin XLR
DMX In	1x Neutrik 5-pin XLR
Display Outputs	4 x Display Port (4K UHD)
Gigabit Ethernet	2 x RJ45
Audio	1x Line Out, 1 x Mic In via 1/8" mini jack
USB 3.0	2x USB Type A (on rear)
USB 2.0	4x USB Type-A (2 on front, 2 on rear)
MIDI	2x MIDI 5-pin DIN
SMPTE	2x Neutrik 3-pin XLR

Connectivity

Protocols	DMX512
	RDM
	Streaming ACN (E1.31)
	Art-Net
	CITP
	OSC (Bidirectional)
	MIDI Notes, Control Change, MSC, MTC, MC (Bidirectional)
	SMPTE (Bidirectional)
	Generic RS232
	Contact Closures (unlimited via network and USB)
	Vision.Net (Bidirectional)
	KiNet
	Shownet
	ChilliNet
	iCAN
	Pathport
	Ennttec DMX USB
Files	USITT ASCII Showfiles
	GDTF
Other	Web Server and MySQL polling
	iOS & Android app (incl. Interface Builder and note taking)
	DMX Recorder and playback
	Tracking palettes (live values mapped to incoming data stream)

Certification and Safety

Conformity	UL 62368-1, IEC 62368-1, CSA C22.2 NO 62368-1, FCC 47CFR 15, ICES-003, EN 55032, CISPR 32
------------	---

Capacity

	1,000,000 Cues
	10,000+ Cue lists
	10,000+ Submasters
	60,000+ Palettes
	(Intensity, Position, Color, Beam, Edge, and Presets)
	Custom Palette types
	10,000+ Groups
	10,000+ Effects
	10,000+ Macros
	10,000+ Snapshots
	Customisable Curve Profiles
	Customisable Color and Position Paths
	1,000,000 Cue Notes
	Up to 10 remote sessions
	100 discrete audio (frequency) triggers

Software Key Features

	Full tracking and optional non tracking
	Tabbed Magic Sheets
	7 powerful effect (FX) engines
	Pixel Mapping (static images, videos or live input)
	Pixel animator
	Visual timecode editor (for auto cue timings)
	Video playback (incl. cross fading)
	Internal timecode (from media) and timecode generator
	AI Command Line prediction
	Automatic text to speech playback of cue notes
	Partitioning and multi user
	Offline mobile patch tool
	Dedicated task scheduler

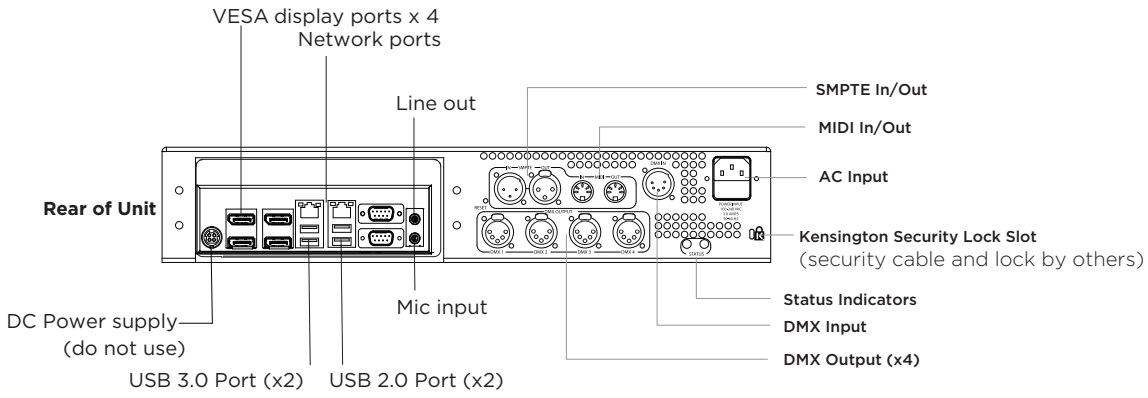
User Interfaces

External touchscreens	4x 4K UHD
Internal touchscreens	1 x4"

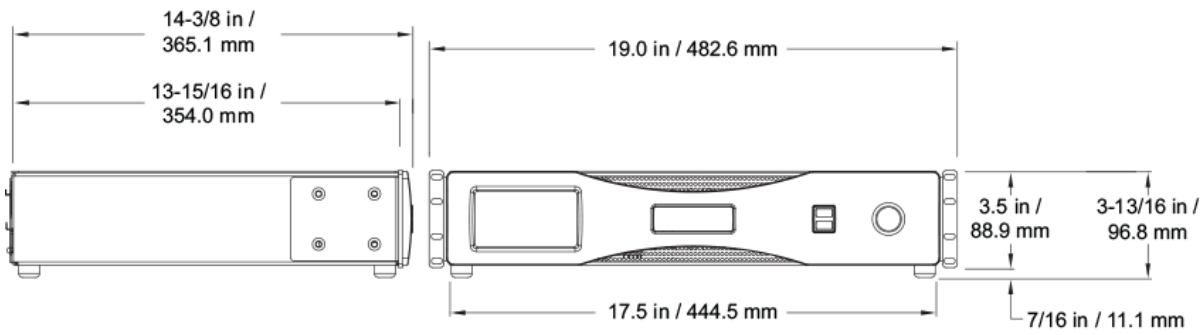
Physical

Color	Black & Dark Grey
Operating temperature	0 - 40 °C (32 - 104 °F)
Storage Temperature	0 - 35 °C (32 - 95 °F)
Humidity	0 - 95% non-condensing
Construction	High density and impact resistant aluminum and plastics
Dimensions	482.6 x 96.8 x 365.1 mm (19 x 3.81 x 14.34 in)
Weight	4.56 kg (10.05 lb)
Cooling System	Force Air Cooled
Mounting	Rack-mounted , 2-post
Rack Unit	3U
Ingress protection rating	IP20

Connections



Dimensions



Product and Accessories

Product type

NEO X SERVER

Order Code

54101-000

The logo for Vari-Lite, featuring the word "VARI" in a serif font, a stylized asterisk symbol, and the word "RITE" in a serif font.

©2024 Signify Holding. All rights reserved. All trademarks are owned by Signify Holding or their respective owners. The information provided herein is subject to change, without notice. Signify does not give any representation or warranty as to the accuracy or completeness of the information included herein and shall not be liable for any action in reliance thereon. The information presented in this document is not intended as any commercial offer and does not form part of any quotation or contract, unless otherwise agreed by Signify. Data subject to change.

February 6, 2024

Vari-Lite<https://www.vari-lite.com/global/products/x-server>