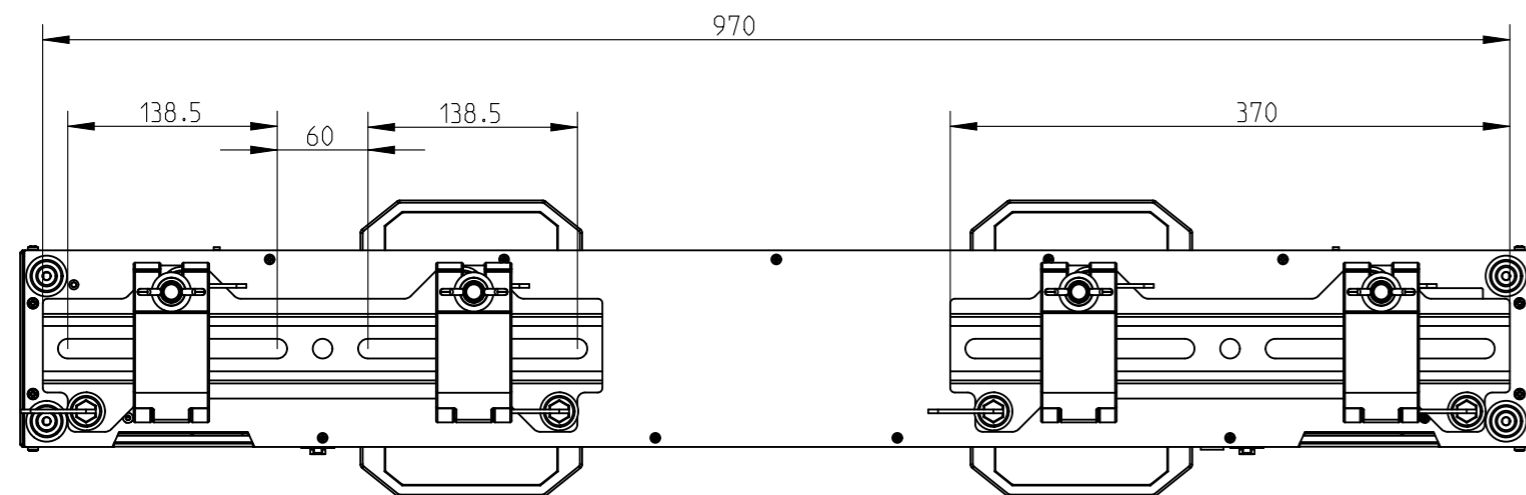
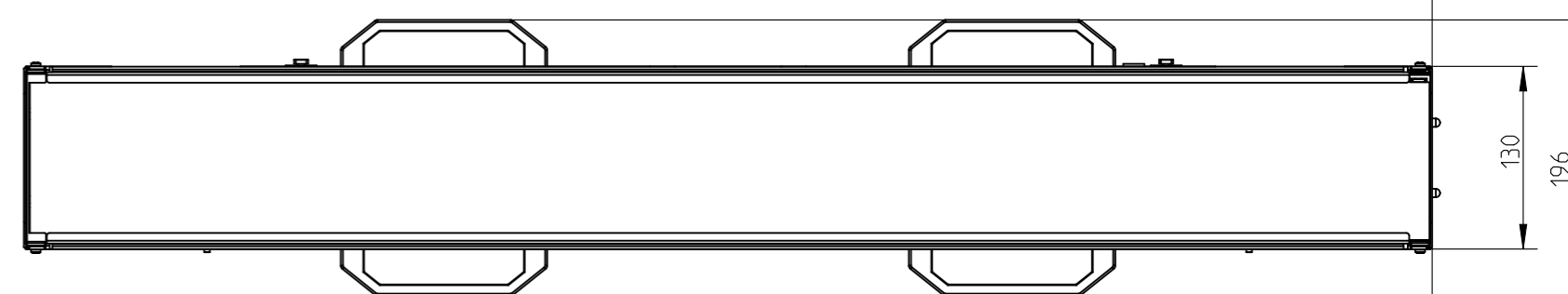
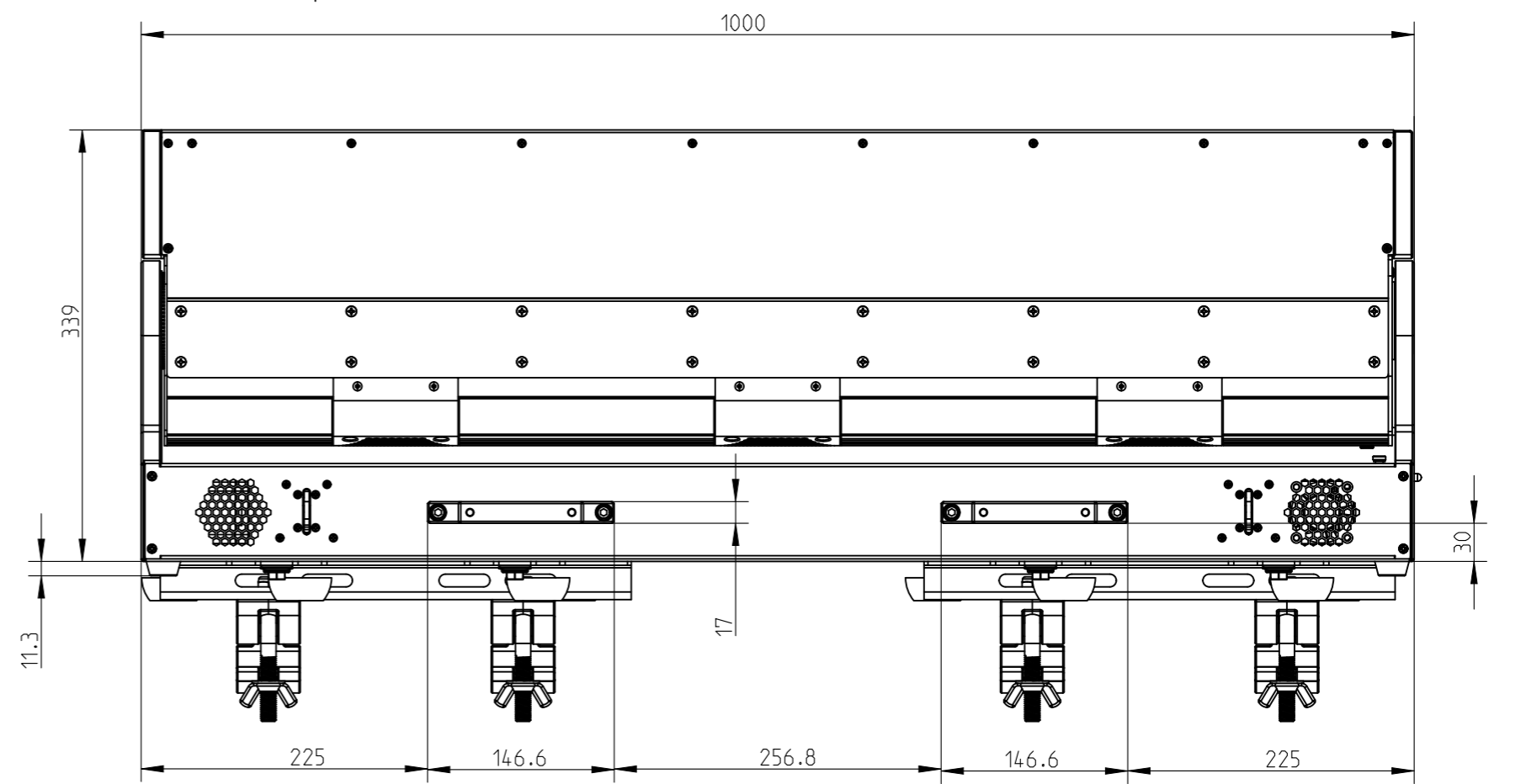
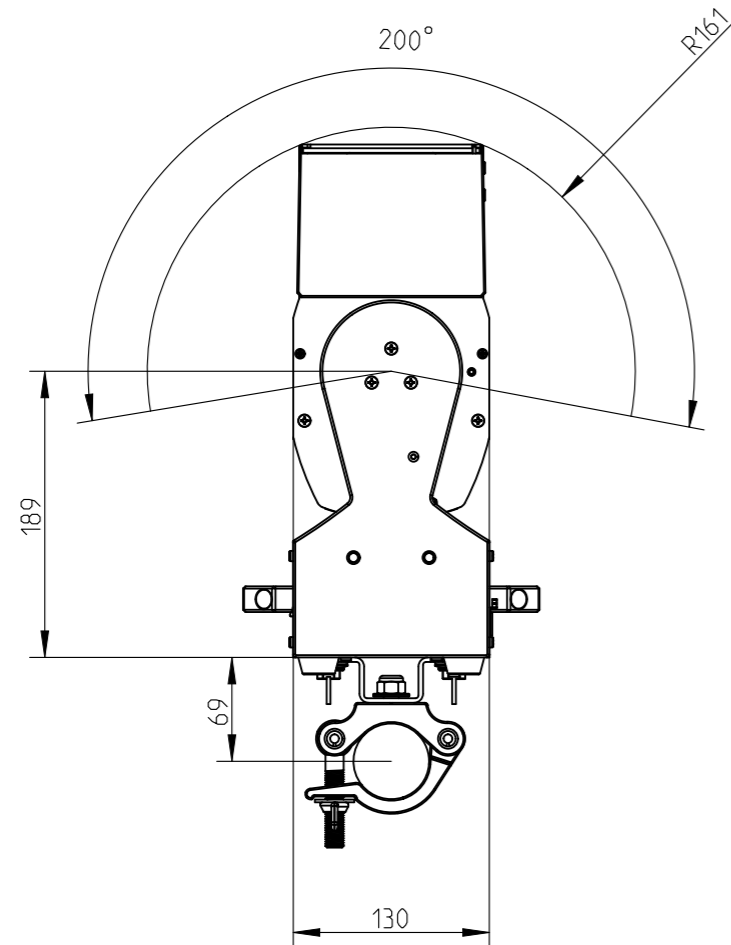

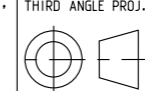


Copyright reserved

DESCRIPTION: - DWG NO.: ISSUE:



-	-	-	-
-	-	-	-
-	-	-	-
NEW ISSUE	OLD ISSUE	COMMENTS / CHANGE DESCRIPTION	DATE
UNLESS OTHERWISE SPECIFIED:	DRW: -	ISSUE:	 German Light Products GmbH Industriestr. 2 76307 Karlsbad - Germany +49 (0)7248/92719-0 www.glp.de
Dimensional tolerances $+6$ = $\pm 0.05</math> $6-30$ = \pm 0.1</math> $30-120$ = \pm 0.15</math> $+120$ = \pm 0.2</math> ANGLES = \pm 0.5^\circ</math> $	STATUS: SEE DDM/WATERMARK	DATE: -	
PROPRIETARY NOTICE:	SIZE A3	DWG NO.: Impression FR10 Bar	
All information herein is the sole and exclusive property of GLP, and may not be used, disclosed or reproduced in any manner without the advance written consent of GLP.	THIRD ANGLE PROJ.	DESCRIPTION:	MATERIAL:
		ALL dimensions are in millimeters unless noted otherwise	
	DO NOT SCALE	SCALE 1:5	FILENAME: IMPRESSION_FR10BAR SHEET 1 OF 1