



RDL[®]
Radio Design Labs

SPECIALISTS IN PRACTICAL PRECISION ENGINEERING™

ACCESSORIES SERIES

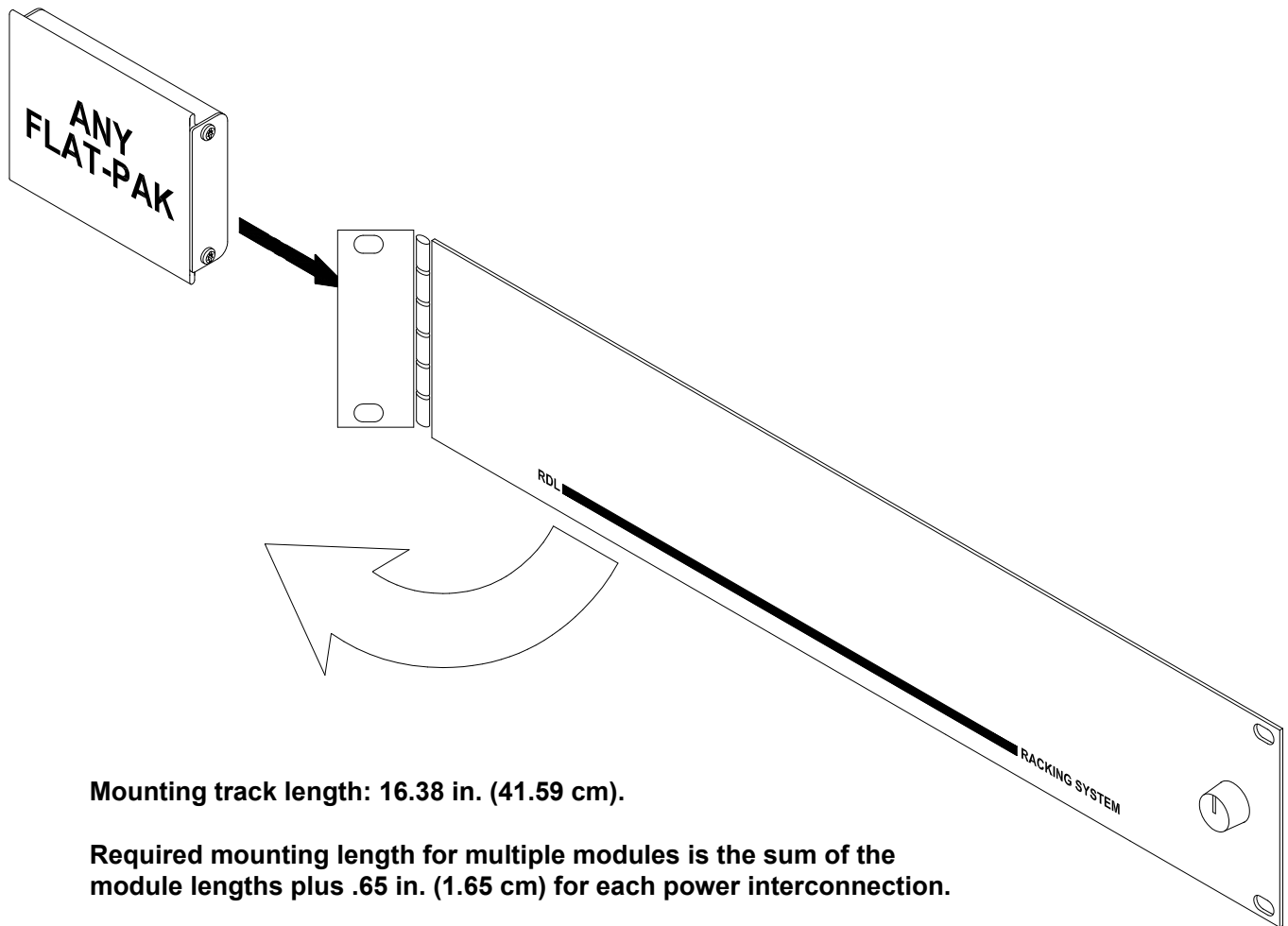
Model FP-RRAH

Rear Rack Adapter – Flat-Pak™ Series

Installation/Operation



Declaration of Conformity available from rdlnet.com.
Sole EMC specifications provided on product package.
Specifications are subject to change without notice.



Mounting track length: 16.38 in. (41.59 cm).

Required mounting length for multiple modules is the sum of the module lengths plus .65 in. (1.65 cm) for each power interconnection.

Radio Design Labs Technical Support Centers
U.S.A. (800) 933-1780, (928) 778-3554; Fax: (928) 778-3506
Europe [NH Amsterdam] (+31) 20-6238 983; Fax: (+31) 20-6225-287