

# FLX S48 CONSOLE

Date: \_\_\_\_\_  
Type: \_\_\_\_\_  
Firm: \_\_\_\_\_  
Name: \_\_\_\_\_  
Project: \_\_\_\_\_

The FLX S48 Console is a 48 fader lighting control surface that brings the legacy and power of our consoles in an easy-to-use package at an affordable price. A lighting design-centric console built for the non-designer, the FLX S48 allows any user to quickly create beautiful looks in less time, and is the perfect console for schools, houses of worship, broadcast studios, and portable applications.

Built on the award-winning ZerOS software, the FLX S48 includes an intuitive, user-friendly interface. The onboard 7" multitouch screen, four physical encoders and seven dedicated physical buttons simplify operation, while support for an external touchscreen monitor offers additional control capabilities. The ZerOS software makes it easy to design the perfect look, with multiple color selection options and intuitive moving head fixture control. To ensure users can get the job done without getting lost, ZerOS includes an on-board Guidance tool and quick select Z button.



- Cost effective 48 fader console with support for 2048 channels of control
- Award-winning ZerOS software - mature, easy-to-use software you can trust
- Simple "three-step programming" - Select what you want, where you want to control them, and how you want them to look
- 7" Multitouch screen - easily adjust colors, moving lights, and other settings
- External monitor support - connect third party touchscreen display for a bigger control surface
- 4 physical encoders and 7 dedicated buttons for go, record, delete, etc. - faster and more intuitive control, particularly in a live environment
- Image picker for control selection - upload a photo and select different colors in one or more spots in the image to add color variation and depth
- Relay-per-fixture - manually or automatically manage power in venues where relay circuits are used to power the lighting grid.
- Multicell fixture support - control all pixels in a multiple pixel fixture as easily as single-cell fixtures without intensity conflicts. Easily apply color gradients and dynamic effects
- Mood Boards by LEE Filters - quickly select the perfect color palette for your mood
- Onscreen Guidance tool - never get lost thanks to situationally aware, but unintrusive on-screen tips and advice in English, Spanish, French, and German
- Exclusive Z button for quick access to important tools - easily perform common actions anywhere in the console
- 2 x 5-pin DMX ports and support for Ethernet protocols such as sACN, Art-Net, C1TP, OSC, Vision.Net etc. - versatile network and physical connectivity options
- Up to 64 universes of DMX connectivity - control all the fixtures in your rig and patch them however you want to organize them
- RigSync - simplify commissioning and management thanks to exclusive technology that finds fixtures using RDM, automatically patches them, then continually monitors the system and adapts to changes



VARI\*LITE

# Specifications

Due to continuous improvements and innovations, specifications may change without notice.

## Electrical

Operating Voltage (PSU)	100-240V AC; max. 2A
Operating Voltage (Console)	12V DC
Power Input (PSU)	1x IEC C14
Power Input (Console)	1x 2.1mm DC barrel connector

## Data

Included license	4x Universes (2048 Channels)
DMX Out / DMX In / Vision.Net	2x Neutrik 5-pin female XLR
Display Output	1x DVI-D (XGA)
Ethernet	1x RJ45
USB	2x USB Type-A

## Connectivity

Protocols	DMX512
	RDM
	Streaming ACN (E1.31)
	Art-Net
	CITP
	OSC (Open Sound Control)
	Vision.Net (Receive only)
	KiNet
	Philips Hue
Files	USITT ASCII Showfiles
	GDTF
Other	iOS & Android apps

## Certification and Safety

Approbations	UL, cUL, CE, RCM, UKCA
Conformity	EN 62368-1, UL 62368-1, CSA C22.2 No 62368-1, BS EN 62368-1

## Capacity

	192 Fixtures (single or multiple DMX channels)
	192 Relays (manually or automatically controlled)
	10,000 Cues
	193 Playbacks
	960 Palettes (Position, Color, Beam, Shape and Effect)
	192 Groups
	45 Auto Effects
	Automatic Fixture Macros

## Software Key Features

	Full tracking and optional non tracking
	Multi-touch color & image picker
	"Mood Boards by LEE Filters"
	Multi-touch Pan/Tilt grid
	Auto palettes, groups and fixture macros
	Gobo previews and library
	Move on Dark
	Wireless remote control and remote monitor apps
	RigSync (RDM)
	Multicell fixture support
	Onscreen guidance tool
	Offline editor (Windows PC)

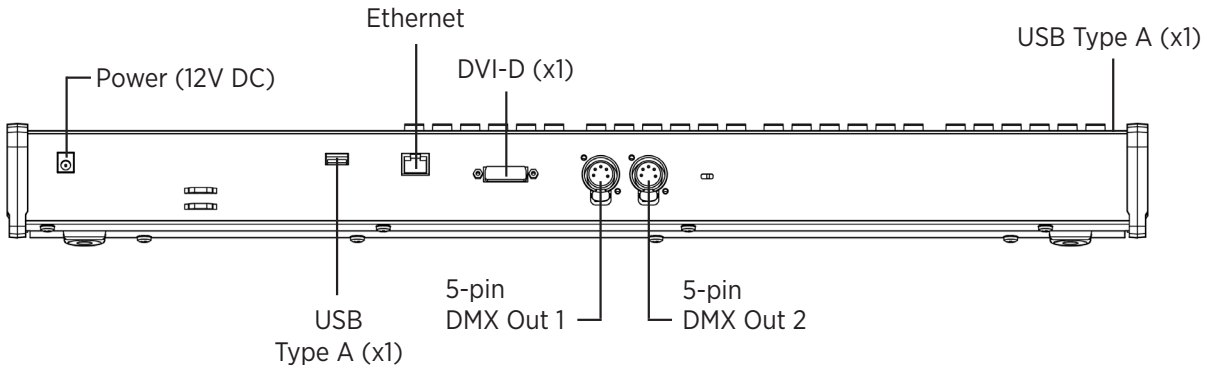
## User interfaces

Internal touchscreens	1x 7" multi-touch
External touchscreens	1x XGA (optional)
Faders	48x multifunctional faders (4 pages)
Encoders	4x Attribute & Intensity

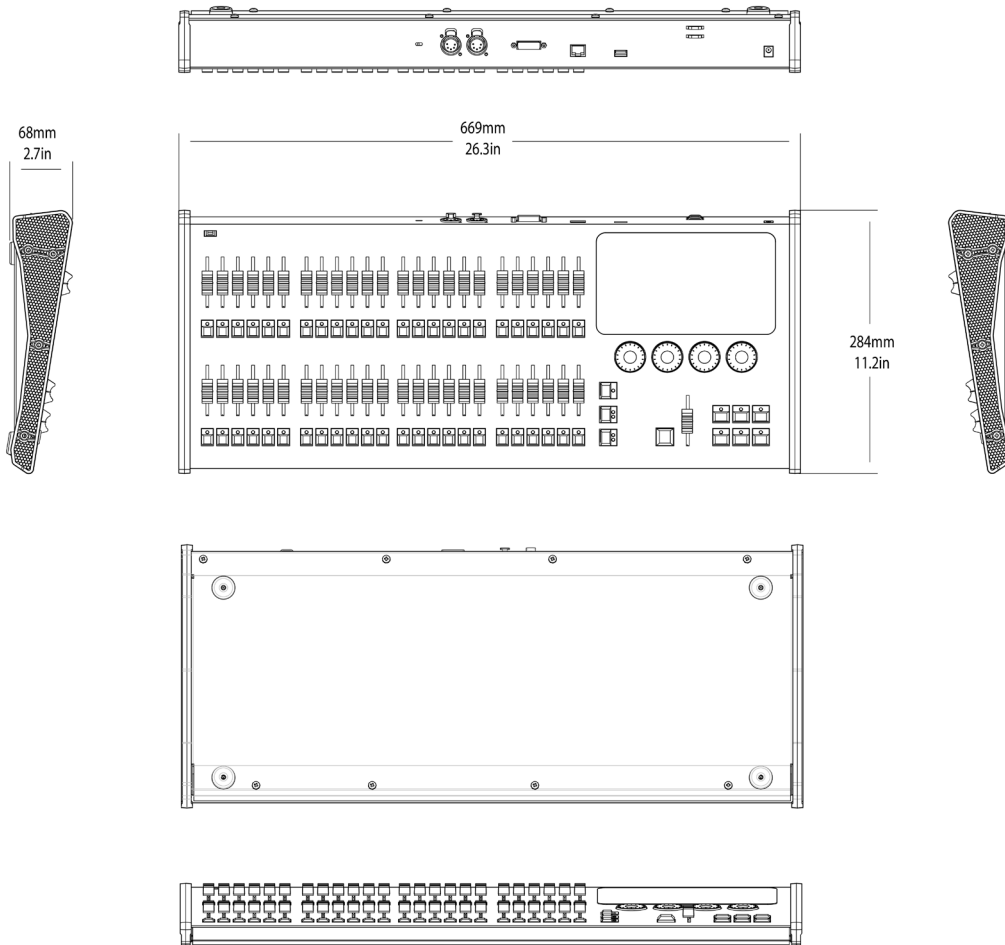
## Physical

Color	Black & Dark Grey
Operating temperature	5-40°C (41-104°F)
Construction	Impact resistant aluminum & plastics
Dimensions	68 x 669 x 284 mm (2.7 x 26.3 x 11.2 in)
Weight	5.5 kg (12.1 lb)

# Connections



# Dimensions



# Product and Accessories

<b>Product type</b>	<b>Order Code</b>
FLX S48, 2048 channel, bare end power cable	54108-048

<b>Accessories</b>	<b>Order Code</b>
FLX S48 dust cover	5630-000079-00
FLX S mounting brackets	9820-000015-00
FLX S48 flightcase	9805-000087-00
Replacement PSU	54109-100

<b>Included Items</b>
Quick Start Guide
External power supply

