

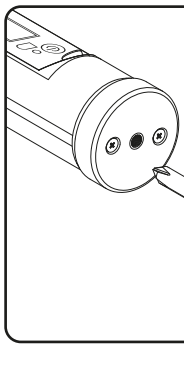
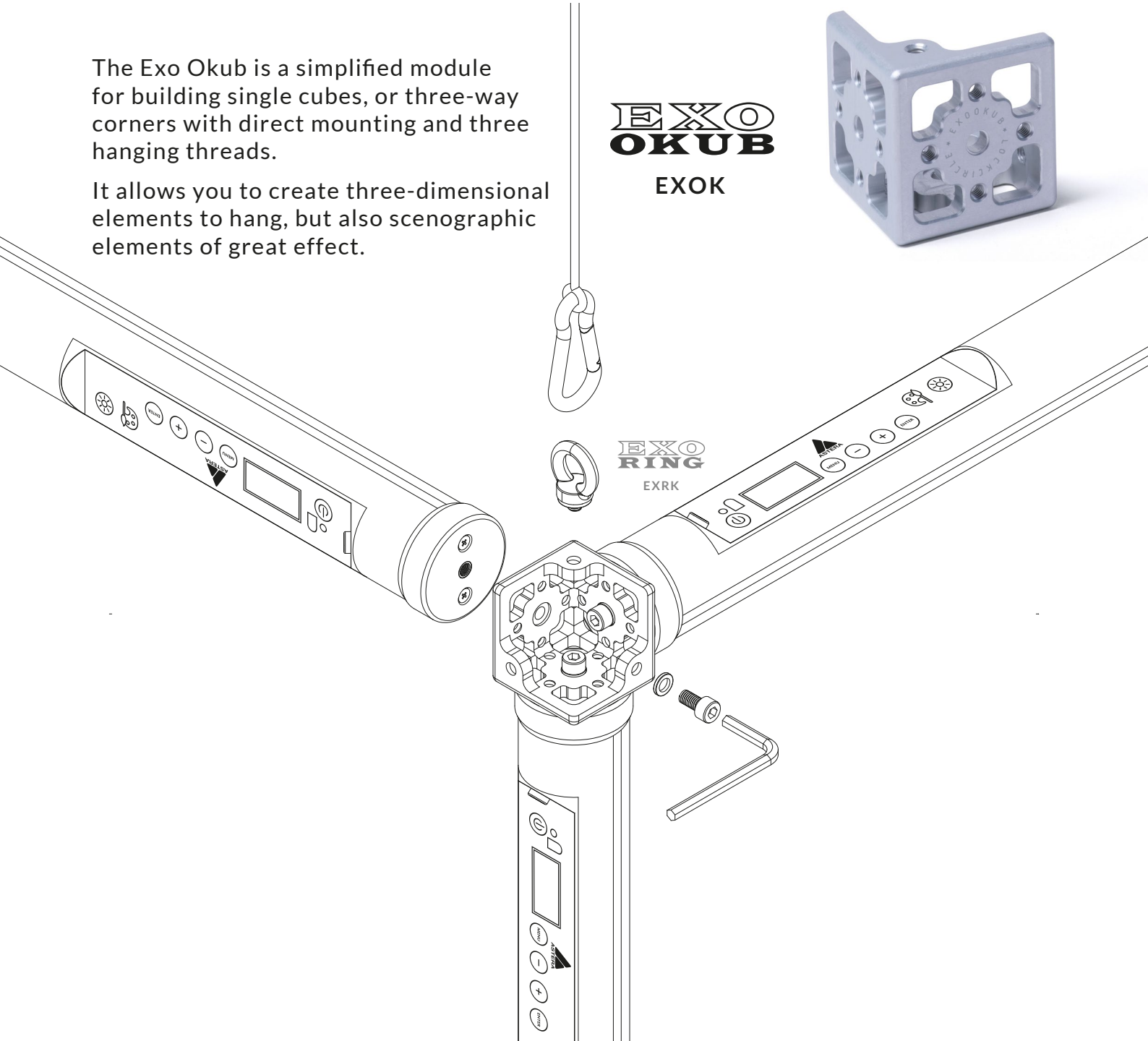
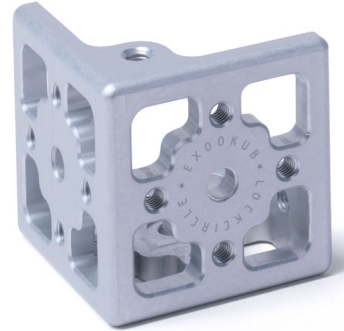
Three Angle building cube module for Astera Helios, Titan and Hyperion. Aluminium Silver anodized with (3x) M5 threads and (12x) M4 threads. (3x) M5X10 hex screws with hex key SW4. Wgt: gr. 65, oz. 2.4.

The Exo Okub is a simplified module for building single cubes, or three-way corners with direct mounting and three hanging threads.

It allows you to create three-dimensional elements to hang, but also scenographic elements of great effect.

EXO
OKUB

EXOK



SAFETY: The Exo Skeleton system has been designed to expand the creative potential with Astera Helios, Titan and Hyperion LED tubes for professional users in the world of entertainment, television and cinematography. Astera LEDs were not originally designed for heavy use with complex modularity and it is recommended to carefully evaluate safety in the construction of complex and sophisticated solutions that require professional support and anchoring systems.

WARNING: Before using the Exo Skeleton system with the Astera LED tubes, make sure that the two screws are well tightened with a Phillips screwdriver. This is important for effective and safe use, avoiding wear of the parts in contact.

It allows you to create three-dimensional elements to hang, but also scenographic elements of great effect.

