



# ew 100 P G4 / ew 500 P G4

EK 100 G4      EK 500 G4  
 SKP 100 G4    SKP 500 G4  
 SKM 100 G4    SKM 500 G4  
 SK 100 G4     SK 500 G4

Quick Guide      Kort vejledning  
 Kurzanleitung    Pikaohje  
 Guide rapide      Γρήγορος οδηγός  
 Guía rápida       Kısa Kılavuz  
 Guía de inicio rápido    Краткая инструкция  
 Guia rápido       快速指南  
 Beknopte handleiding    快速使用指南  
 Krótka instrukcja obsługi    クイックガイド  
 Snabbguide       퀵 가이드

**SENNHEISER**



[www.sennheiser.com/download](http://www.sennheiser.com/download)

Sennheiser electronic GmbH & Co. KG

Am Labor 1, 30900 Wedemark, Germany  
[www.sennheiser.com](http://www.sennheiser.com)

Printed in Germany, Publ. 01/24, 575862/A04

## EK 100



## SKP 100

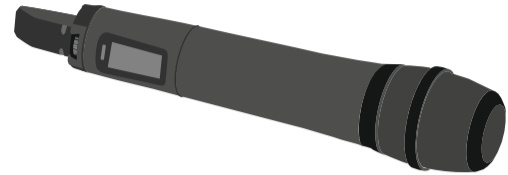


## SK 100/SKM 100

### SK 100



### SKM 100



## EK 500



## SKP 500



## SK 500/SKM 500

### SK 500



### SKM 500

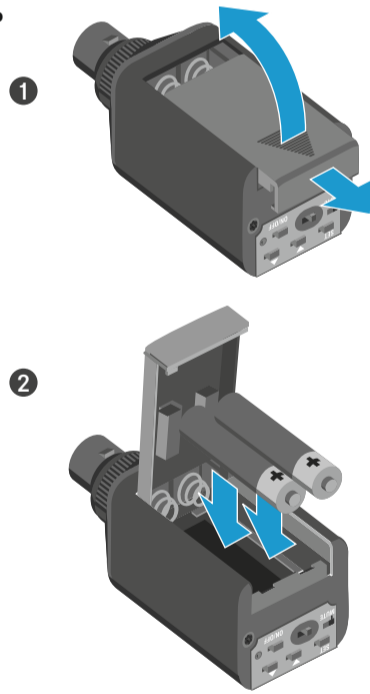


## Battery

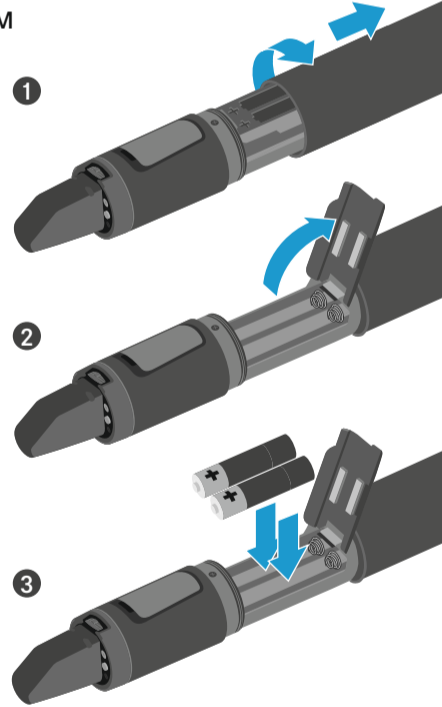
### EK/SK



### SKP



### SKM



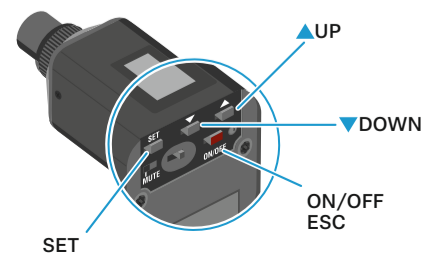
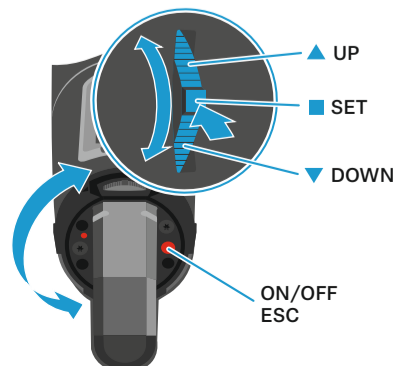
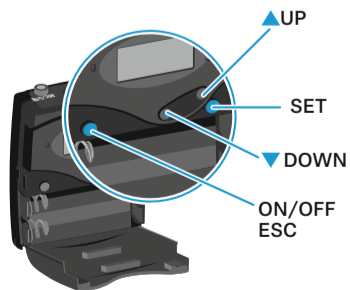
## On/Off

	EK	SK/SKM/SKP	
short	on	on	
long	-	on + RF Mute	
long	off	off	Instruction Manual

## Battery

	100 %	> 8 h
	70 %	4 - 6 h
	30 %	2 - 3 h
	LOW BATT	

## Menu



### EK 100

Main menu "Menu"	"Easy Setup"	Extended menu "Advanced Menu"
Sync	Reset List	Tune
Squelch	Current List	Pilot Tone
Easy Setup	Scan New List	LCD Contrast
Frequency Preset	Exit	Reset
Name		Software Revision
AF Out		Exit
Auto Lock		
Advanced		
Exit		

### SK/SKM/SKP 100

Main menu "Menu"	Extended menu "Advanced Menu"
Sensitivity	Tune
Frequency Preset	Mute Mode (SK/SKP)
Name	RF Power
Auto Lock	Cable Emulation (SK)
Advanced	Pilot Tone
Exit	LCD Contrast
	Reset
	Software Revision
	Exit

### EK 500

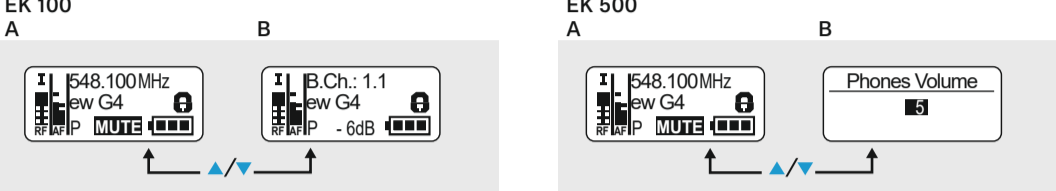
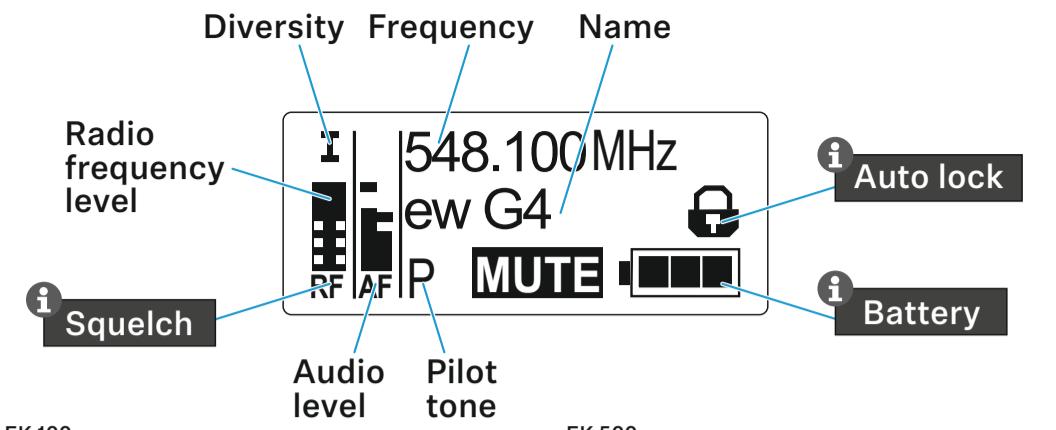
Main menu "Menu"	"Easy Setup"	Extended menu "Advanced Menu"
Sync	Reset List	Tune
Phones Volume	Current List	Sync Settings
Squelch	Scan New List	Pilot Tone
Easy Setup	Exit	LCD Contrast
Frequency Preset		Reset
Name		Software Revision
AF Out		Exit
Auto Lock		
Advanced		
Exit		

### SK/SKM/SKP 500

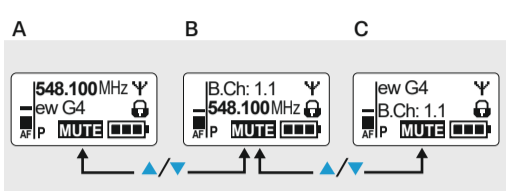
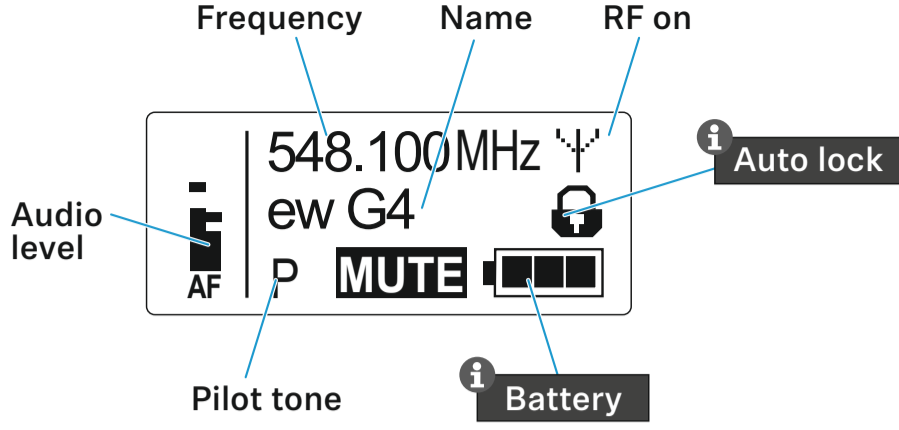
Main menu "Menu"	Extended menu "Advanced Menu"
Sensitivity	Tune
Frequency Preset	Mute Mode (SK/SKP)
Name	RF Power
Auto Lock	Cable Emulation (SK)
Advanced	Phantom Power 48 V (SKP)
Exit	Pilot Tone
	LCD Contrast
	Reset
	Software Revision
	Exit

Display

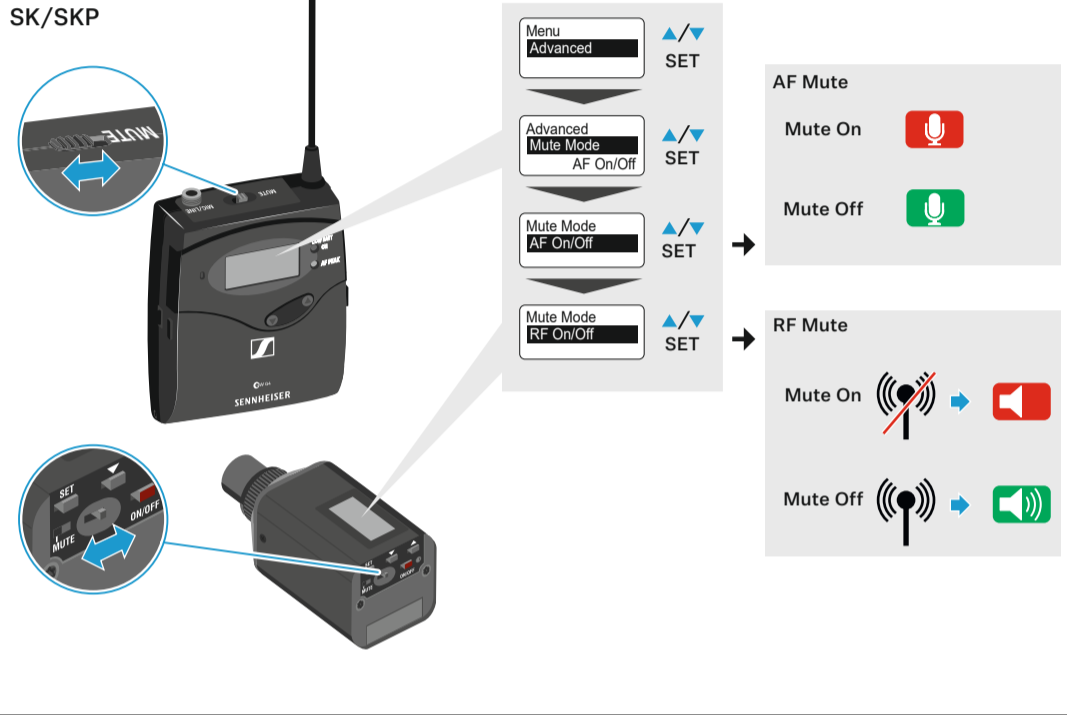
EK



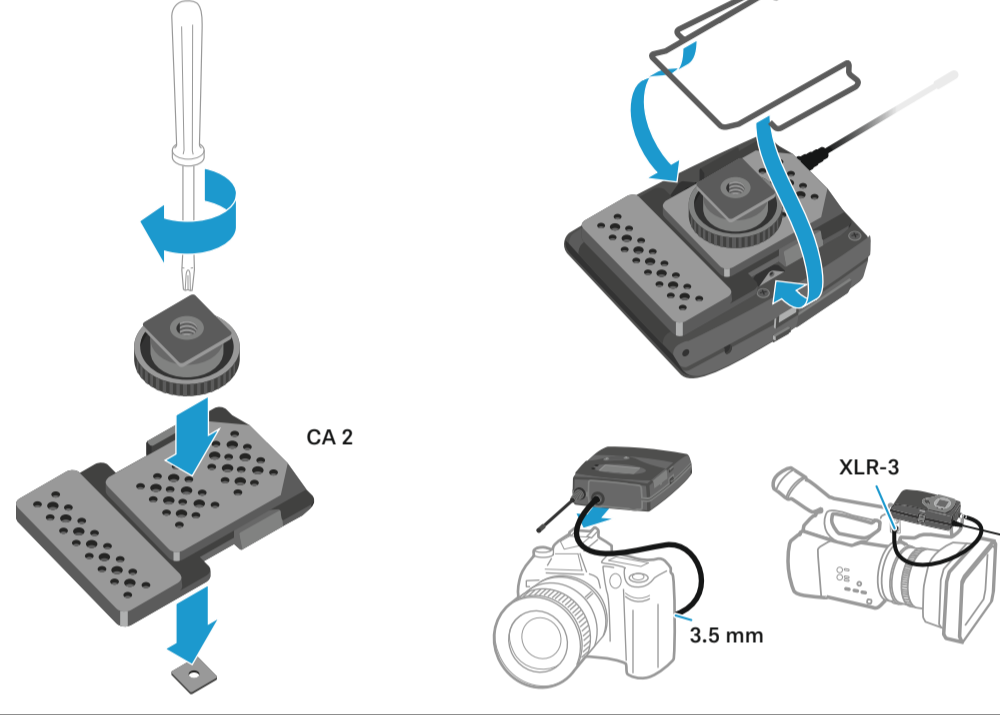
SK/SKP/SKM



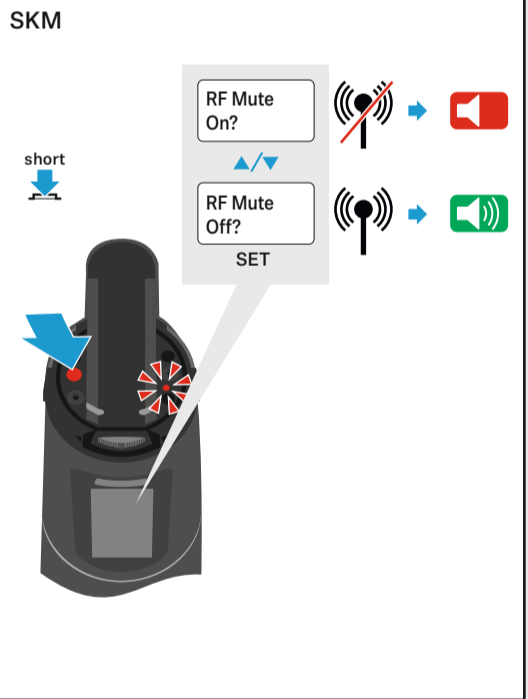
Mute



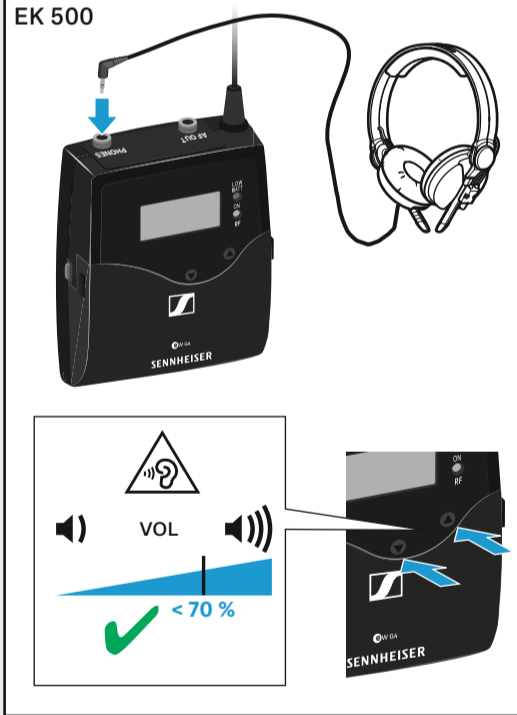
Camera adapter CA 2



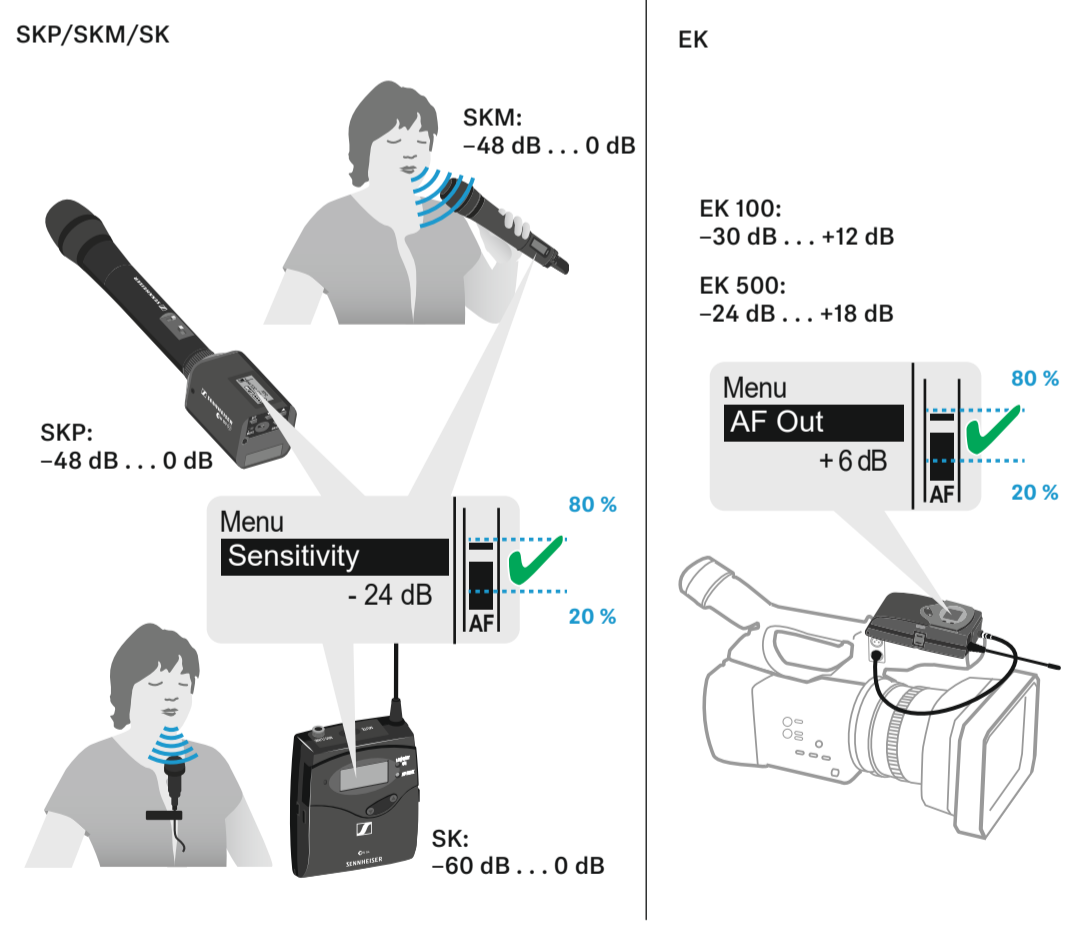
Mute



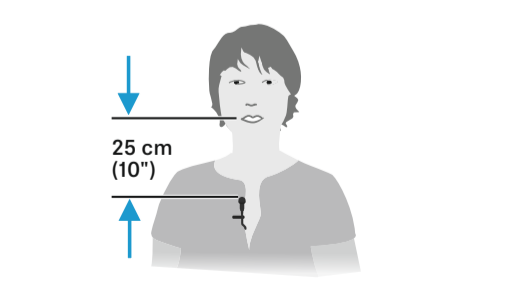
Phones



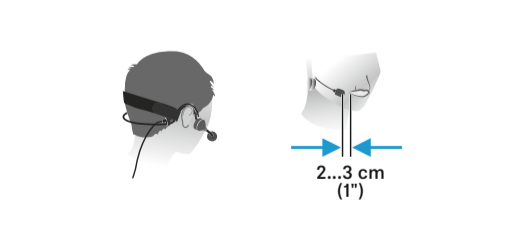
Setup Audio Level



Mic position



ME 3



SKM

