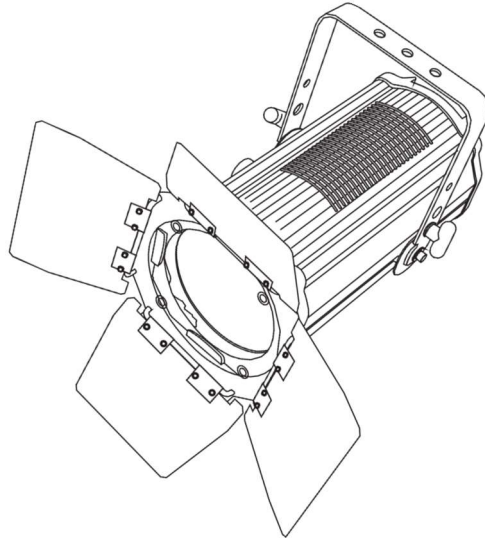


elektraLite



elektraLite Stingray Fresnel Variable White 600w Settings & DMX Channel Assignments

**ElektraLite (a division of Group One),
70, Sea Lane, Farmingdale, NY11735, U.S.A.
T. +1 (631)-396-0184. F. +1 (631)-396-0190
WWW.MYELEKTRALITE.COM**

Setting

Menu	Description	Option	Mark
Touch Screen Calibration	Touch Screen Calibration		
Dimmer Frequency	Choose the dimmer frequency	From 500HZ to 25KHZ	In increments of 100HZ
Dimmer Curve	Choose the dimmer curve	Standard	
		Incandescent	
		Linear	
		Logarithmic	
Operational Temperature choices	Set the temperature	From 45c-95c	In increments of 5c degrees
Backlight	Adjust the Backlight brightness	10%~100%	Increase or decrease in steps of 5%
Backlight Timeout	Set the screen to turn off	From 5 to 60 seconds	Increase or decrease in steps of 5 seconds
Load Factory Settings	Reset the fixture to default settings		

DMX Channel Assignments and values.

Channel	DMX Value	Description
1	001-255	dimmer
2	001-011	3000k color temp
	012-019	3100k color temp
	020-027	3200k color temp
	028-035	3300k color temp
	036-043	3400k color temp
	044-051	3500k color temp
	052-059	3600k color temp
	060-067	3700k color temp
	068-075	3800k color temp
	076-083	3900k color temp
	084-091	4000k color temp
	092-099	4100k color temp
	100-107	4200k color temp
	108-115	4300k color temp
	116-123	4400k color temp
	124-129	4500k color temp
	130-137	4600k color temp
	138-145	4700k color temp
	146-153	4800k color temp
	154-161	4900k color temp
	162-169	5000k color temp
	170-177	5100k color temp
	178-185	5200k color temp
	186-193	5300k color temp
	194-201	5400k color temp
	202-209	5500k color temp
	210-217	5600k color temp
	218-225	5700k color temp
	226-233	5800k color temp
	234-244	5900k color temp
	244-255	6000k color temp
3	000-255	Zoom
4	000-255	Zoom Speed