

EC21 RETROFIT POWER MODULES

Date: _____
Type: _____
Firm: _____
Name: _____
Project: _____

Vari-Lite EC21 Retrofit Modules allow venues to upgrade their existing EC21 modular power racks with new power and processing modules. This will allow them to integrate modern luminaires and user interfaces without replacing their entire existing power infrastructure.

The EC21 Retrofit Processor module offers multiple connectivity and control options, including sACN, Art-Net, Vision.Net, and DMX, while retrofit power modules offer relay-controlled power and more. In addition, an optional secondary processor provides full tracking backup for ultimate reliability. To make things easy to commission and manage, the system includes browser-based configuration and local controls for setup and testing.



- Dual 16A power modules - Wide range of easy-to-swap power control modules that can be combined in any way to meet the demands of each production.

For detailed product information, please refer to the Product Guide at <https://www.vari-lite.com/global/products/ec21-retrofit>



VARI*LITE

Specifications

Due to continuous improvements and innovations, specifications may change without notice.

Electrical

Input Voltage	230V
Circuit protection	Magnetic circuit breakers
Power	Dual 16A

Operation

Connection	Plug-in
Rise time (Dimming)	250µs
Modes	Dimming - Forward phase Constant - Always on Relay - Mechanical relay

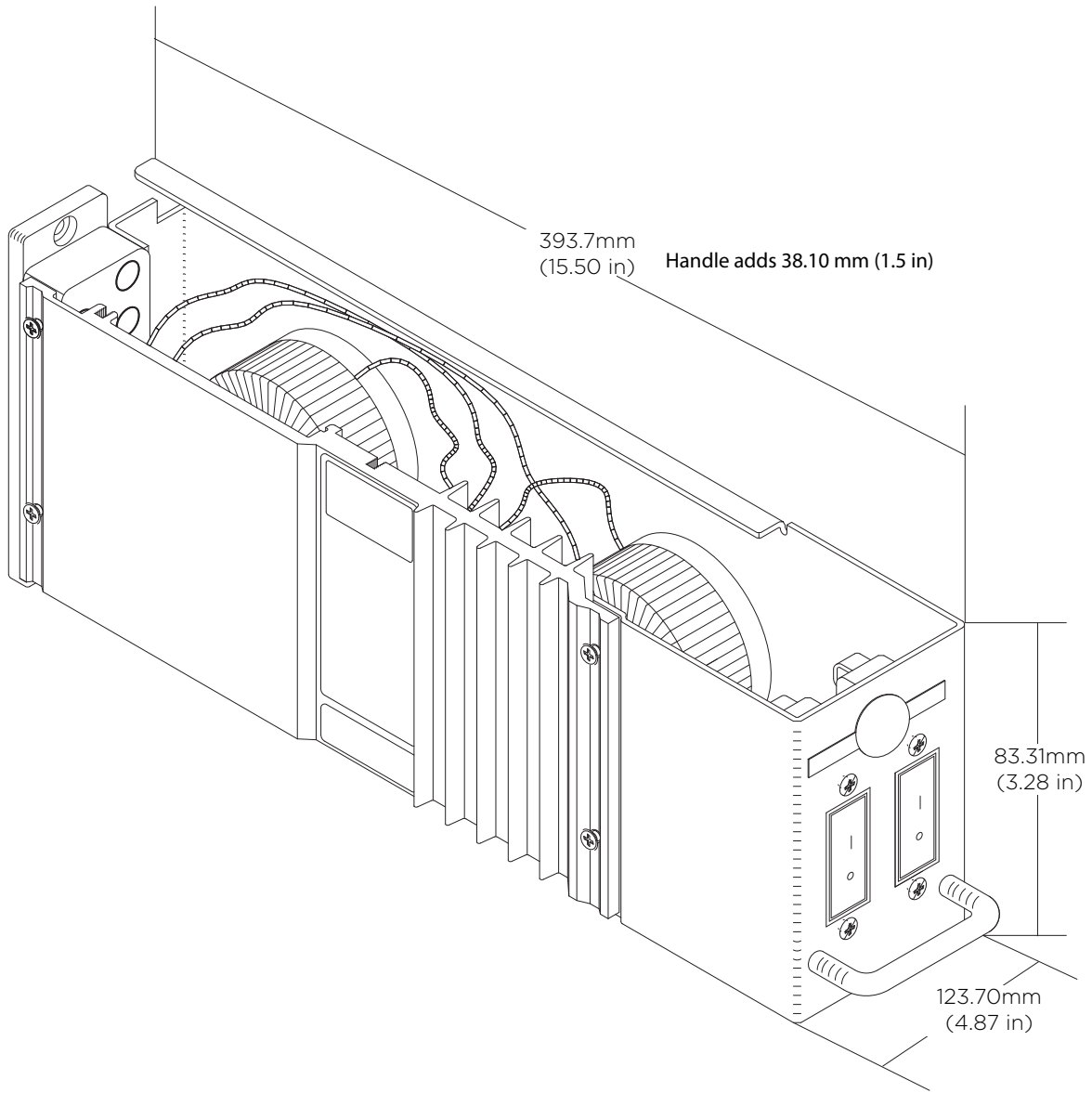
Certification and Safety

Conformity	UL / cUL recognized and ETL / cETL listed
------------	---

Physical

Operating temperature	0-40°C (32-104°F)
Humidity	0-95% non-condensing
Dimensions	393.7 x 123.7 x 83.31 mm (15.5 x 4.87 x 3.28 in) handle adds 38.10 mm (1.5 in)
Construction	Heavy duty aluminum with heat sink
Ingression Protection	IP20

Dimensions



Product and Accessories

Modules	Order Code
Dual 16A Dimming (250μs) / Relay / Constant EC21 retrofit module, with RCBO	53804-235

Processor	Order Code
Single RigRack (or retrofit) processor in a dual tray	53804-021
Second / spare RigRack (or retrofit) processor	53804-022

Accessories	Order Code
Blank RigRack (or retrofit) module	53804-041

