

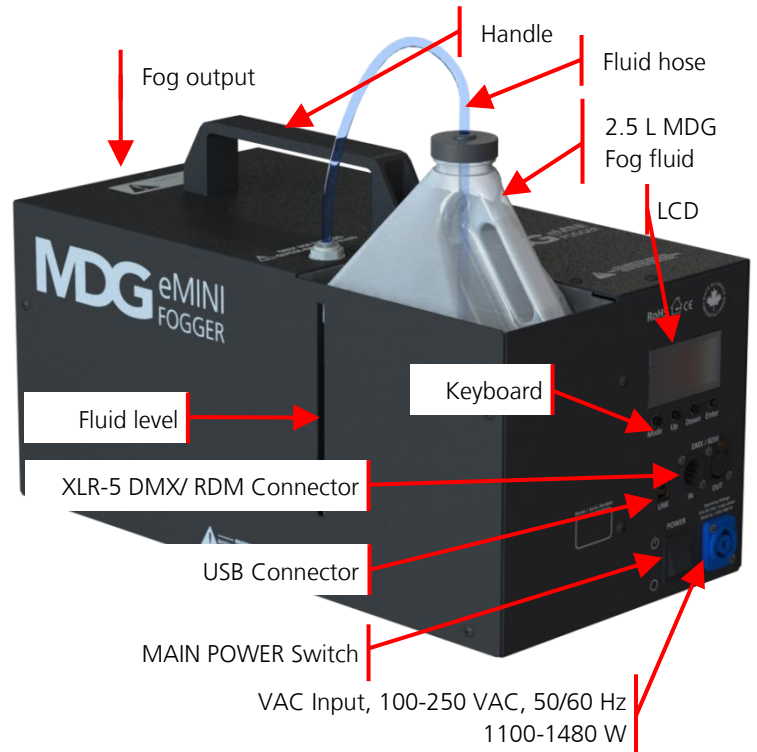
## MDG eMINI

### Installation

- Connect the data wiring (Female XLR-5 connector for DMX/RDM) if you are using a DMX or RDM controller.
- Connect the power cord 100-250 VAC, 50/60 Hz, 1415W nominal (1100-1480 W).
- Install a MDG **Glycol-based fog fluid bottle (MDG Dense, MDG Low Fog or MDG WB2)**, and connect the fluid hose.



Power ON the MDG **eMINI**.



### Working with the keyboard (LOCAL Mode)

- Verify the communication mode in the «INTERFACE ▶ COMM. ». When the «AUTO» mode is activated, the MDG **eMINI** is then controlled by DMX, only if there is a signal. If the DMX wire is unplugged, the control remains local.
- When the fogger is manually switched to «UNIT ON» mode («CONTROL ▶ UNIT ▶ ON»), the program starts the heating cycle for approximately 8 minutes («STATUS ▶ STATE = % HEAT»).

When the temperature reaches its operating level, the fogger is ready to produce fog («STATUS ▶ STATE = READY»).

- Choose the personality: **Normal** or **Burst** mode («CONTROL ▶ PERSO»).
- To produce Fog, switch the generator to «FOG ON» mode («CONTROL ▶ FOG ▶ ON»).

The MDG **eMINI** will start to produce fog right away. Fog emission can be controlled by adjusting the output («CONTROL ▶ OUTPUT») in Normal mode, or the fog duration («CONTROL ▶ BURST DUR») in Burst mode.

In **Burst** Mode, the fogger produces a **UNIQUE** burst of fog. The user must switch back the Fog menu to OFF («CONTROL ▶ FOG ▶ OFF») to be able to redo another burst of fog.

The MDG **eMINI** will produce fog as long as the control parameters are within specifications, the fog fluid reservoir filled, and the gas bottle pressurized.

If a critical problem occurs, the fogger automatically shuts down, and displays an error message in the **Status Menu**.

The most common errors are (check the User Guide for more details):

- ERROR = HEATER      Check the AC voltage.  
Reduce the output if the voltage is too low.
- ERROR = PCB HIGH    Move the fogger in the shade.  
Shut down, wait few minutes and restart the fogger.

## Working with DMX/RDM Control (DMX Mode)

- Connect a DMX line to DMX In connector (Male XLR-5 connector).
- Select the communication mode in the «INTERFACE ▶ COMM. ». When the «AUTO» mode is activated, the MDG **eMINI** is then controlled by DMX, only if there is a DMX signal.
- Set the DMX Start Address in the Interface Menu («INTERFACE ▶ COMM. ▶ DMX ADDR») and choose any value between 1 and 510 (512, last DMX channel).

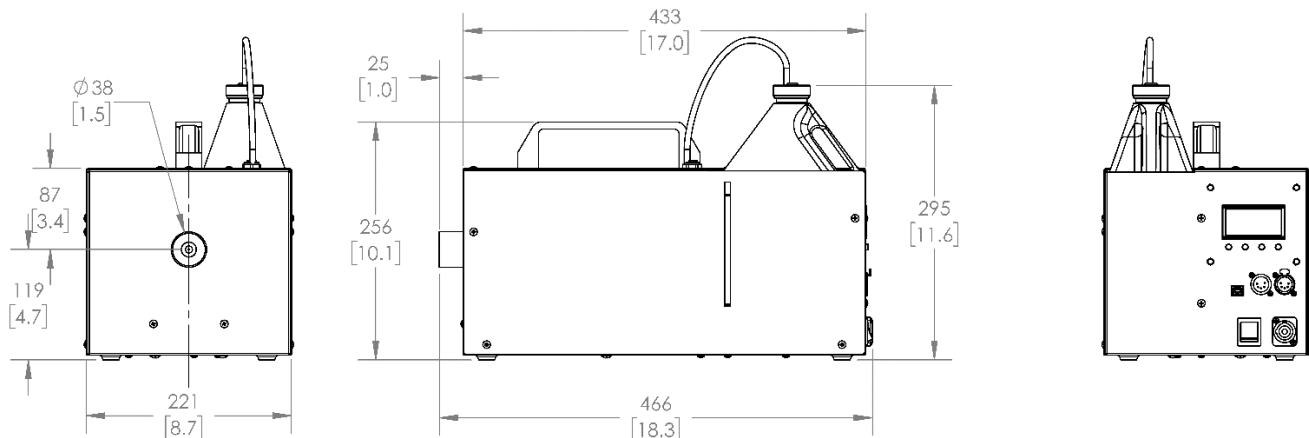
*The DMX Start Address can be reassigned via a RDM control.*

The fogger uses three (3) DMX channels. Second channel function varies depending on its personality:

- |             |  |                                |
|-------------|--|--------------------------------|
| • Channel 1 | <b>0 (0%) &lt; UNIT OFF ≤ 128 (50%) &lt; UNIT ON ≤ 255 (100%)</b>  | <b>Normal</b> mode personality |
| • Channel 2 | <b>0 (0%) to 255 (100%)</b> , FOG OUTPUT (from minimum to maximum) |                                |
|             | <b>0 (0.1 s) to 255 (25.5 s)</b> , BURST DURATION (1/10 of second) |                                |
| • Channel 3 | <b>0 (0%) &lt; FOG OFF ≤ 128 (50%) &lt; FOG ON ≤ 255 (100%)</b>    | <b>Burst</b> mode personality  |

## Technical Specifications

Maximum fog output (per minute):	56 m <sup>3</sup> (2,000 ft <sup>3</sup> ), in Normal mode
Fog colour:	Pure white
Particle size:	1 to 3 microns
Fluid consumption:	1.5 L (0.4 US gal) per hour
Fluid type:	MDG <b>Dense, Low Fog</b> or <b>WB2</b> Fog Fluid ONLY M.S.D.S. available on request
Fluid capacity:	2.5 L (0.66 US gal) bottle
Warm-up time:	8 minutes
Operating voltage:	100-250 VAC, 50/60Hz, 1 phase, Ground / Earth connection <b>REQUIRED</b>
Power consumption:	1415 W nominal (1100-1480 W)
Operating temperature:	0 °C to 50 °C (32 °F to 122 °F)
Operating humidity:	90 % relative humidity @ 50 °C (122 °F), non-condensing
Storage temperature:	-40 °C (-40 °F) to 60 °C (140 °F)
Storage humidity:	80% relative humidity @ 60° C (140 °F)
Approval:	CE and ETL field approved
Dimensions :	26 cm (10") H x 23 cm (9") W x 46 cm (18") L
Weight:	12 kg (25 lb)



... For further details, please read the **User Guide**.