

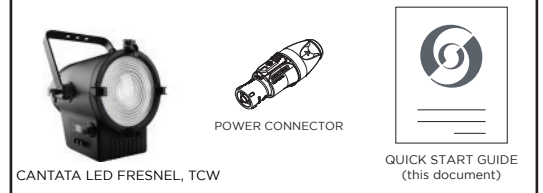
# CANTATA LED FRESNEL, TCW

## OVERVIEW

This document provides installation and operation instructions for the following product(s):

PRODUCT NAME	ORDER CODE
Cantata LED Fresnel, TCW, black	64507-001
Cantata LED Fresnel, TCW, white	64507-101

### INCLUDED ITEMS

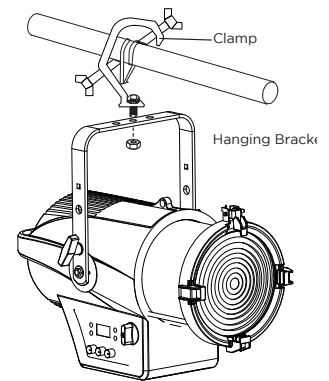


## INSTALLATION AND SET UP

### MOUNTING

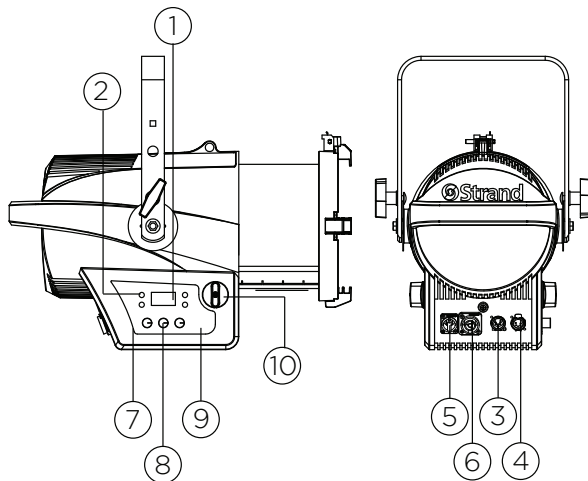
Mount the fixture using the screw holes on the bracket. Ensure the fixture is firmly attached to avoid vibration and slipping during operating. The structure to which the unit is affixed must be stable and able to support at least 10 times the weight of the fixture. Secure with a safety cable that can support at least 12 times the weight of the fixture.

The fixture can only be installed by trained professionals.



### SET UP

#### CONTROL PANEL



- ① **LCD DISPLAY.** Shows the menu and selected function buttons.
- ② **BUTTONS.**  
**Menu.** Select programming functions  
**Down.** Move backward  
**Up.** Move forward  
**Enter.** Confirm selection
- ③ **DMX IN.** 5-pin XLR cable to link DMX console.
- ④ **DMX OUT.** 5-pin XLR cable to the next unit.
- ⑤ **POWER IN.** Connects to power supply.
- ⑥ **POWER OUT.** Connects to next fixture.
- ⑦ **DIM.** 0-100%
- ⑧ **CCT.** 4000K to 7000K.
- ⑨ **n/a**
- ⑩ **ZOOM.** Manual zoom knob.

# CANTATA LED FRESNEL, TCW

## QUICK REFERENCE DMX MAPS

### 16-BIT CHANNEL MODE

DMX CHANNEL	PARAMETER
1	Intensity (High)
2	Intensity (Low)
3	Strobe
4	Fan Control
5	Control Channel
6	LED High
7	LED Low

### 8-BIT CHANNEL MODE

DMX CHANNEL	PARAMETER
1	Intensity (High)
2	Strobe
3	Fan Control
4	Control Channel
5	LED

### 2 CHANNEL MODE

DMX CHANNEL	PARAMETER
1	Intensity
2	LED

# CANTATA LED FRESNEL, TCW

## SAFETY WARNINGS AND NOTICES

---

Read this user manual in full before attempting to install, operate or maintain the fixture to which it relates. This user manual is intended to provide general guidance to such suitably qualified personnel. Installation and operation of the fixture are to be performed by qualified personnel only.

When using electrical equipment, basic safety precautions should always be followed including the following:

### READ AND FOLLOW ALL SAFETY INSTRUCTIONS.

- For indoor, dry location use only. Do not use outdoors unless fixture is suitably IP rated.
- Use safety tether when mounting.
- Equipment should be mounted in locations and at heights where it will not be readily subjected to tampering by unauthorized personnel.
- Not for residential use. Do not use this equipment for other than intended use.
- Note distance requirement(s) from combustible materials or illuminated objects. Do not mount near gas or electric heaters.
- Install only in locations with adequate ventilation. Ensure sure that ventilation slots are not blocked.
- Ensure that the voltage and frequency of the power supply match the power requirements of the fixture.
- The fixture must be earthed/grounded to the appropriate conductor.
- Do not operate fixture outside the specified ambient temperature range.
- Do not connect the fixture to any dimmer pack.
- The use of accessory equipment not recommended by the manufacturer may cause an unsafe condition and void warranty.
- Refer service to qualified personnel. This fixture contains no user serviceable parts.
- Prior to first use, carefully inspect fixture to ensure no damage has occurred during shipping.
- Materials used in the manufacturing process can cause strong odors when the product is new. These odors dissipate over time.
- each use, carefully inspect power cables and replace any damaged cables.
- Exterior surfaces of the luminaire will be hot during operation. Take appropriate precautions.
- Continuous use of the fixture may shorten the lifespan. Power down the fixture when not in use.
- Do not cycle power on and off repeatedly. Disconnect mains power if the fixture is not used for an extended period.
- Clean fixtures regularly, particularly when working in a dusty environment.
- Never touch power cables or wires while the fixture is powered on.
- Avoid entangling power wires with other cables.
- In the event of a serious operating problem, immediately discontinue using the fixture.
- It is hazardous to operate luminaires without lens or shield. Shields, lenses, or ultraviolet screens shall be changed if they have become visibly damaged to such an extent that their effectiveness is impaired, for example, by cracks or deep scratches.
- Original packing materials can be reused for transporting the fixture.
- Do not look directly at the LED light beam while the fixture is on.
- This is a Class A product. In a domestic environment this product may cause radio interference, in which case, the user may be required to take adequate measures.
- The light source contained in this luminaire shall only be replaced by the manufacturer or service agent or similarly qualified person.

### SAVE THESE INSTRUCTIONS.

---

**WARNING:** Refer to National Electrical Code® and local codes for cable specifications. Failure to use proper cable can result in damage to equipment or danger to personnel.

---

## COMPLIANCE NOTICE

---



### FCC DECLARATION OF CONFORMITY

This equipment has been tested and found to comply with the limits for a Class A digital device pursuant to Part 15 of FCC Rules. These limits are designed to provide reasonable protection against harmful interference when this equipment is operated in a commercial environment. This equipment generates, uses, and can radiate radio frequency energy and, if not installed and used in accordance with Vari-Lite Strand system, service, and safety guidelines, may cause harmful interference to radio communications.

As tested under this standard:

#### FCC 47CFR 15B cIA\*CEI

Issued:2009/10/01 Title 47 CFR Part 15 Subpart B Unintentional Radiators Class A

Operation of this equipment in a residential area is likely to cause harmful interference, in which case the user will be required to correct the interference at his/her own expense.



### EU DECLARATION OF CONFORMITY

We, Vari-Lite LLC., 10911 Petal Street, Dallas, Texas 75238, declare under our responsibility for the products contained herein are in conformity with the essential requirements of the following European Directives and harmonized standards:

#### Low Voltage Director (LVD), 2006/95/EC

EN 60589-2-17:1984+A1:1987+A2:1990 used in conjunction with 60598-1:2008/A11:2009

---

©2022 Signify Holding. All rights reserved.

All trademarks are owned by Signify Holding or their respective owners. The information provided herein is subject to change, without notice. Signify does not give any representation or warranty as to the accuracy or completeness of the information included herein and shall not be liable for any action in reliance thereon. The information presented in this document is not intended as any commercial offer and does not form part of any quotation or contract, unless otherwise agreed by Signify. Data subject to change.

### CUSTOMER SERVICE

If you have any questions regarding this product, please contact Customer Service by phone at +1 214-647-7880 or by email at [entertainment.service@signify.com](mailto:entertainment.service@signify.com).