

SUB2400
Instruction manual

SUB2400 subwoofer



Introduction

Please read this manual carefully before using the product. This will give you the necessary product and installation instructions to assure a seamless installation and non-compromised overall sound quality.

Thank you for purchasing loudspeakers of the SUB series.

The SUB2400 subwoofer has two band pass chambers where each chamber is equipped with a 10" dual coil woofer. Together with the push-pull technology this results in a relative small cabinet with a huge output and very low distortion. Thanks to the small size of the woofers, less mass has to be moved. The bass reproduction is a lot more "punchy" and "faster" compared to 15" or 18" cabinets. The SUB2400 has been compared with a single 15" and 18" subwoofers and the results were astonishing in favour of the SUB2400!

SUB2400 can be driven at 4 ohms or 16 ohms. Selection is done by the large switch at the back of the subwoofer. Especially with long cable runs, the 16 ohms mode is advised. Less power is lost and the bass response will be a lot better. The 16 ohms mode also allows you to use multiple cabinets.

Safety instructions

- Keep this manual for future reference.
- Take care of your speaker wires, they should be free of damage. Damaged speaker wires may result in poor sound quality and can damage amplifiers.
- No main power shall be connected to the speakers, doing so will damage the speaker.
- This speaker should only be serviced by qualified personnel. If not, warranty might be void.
- Use cables of the right gauge, certainly for long runs.
- Use cables with clear color indication and maintain polarity throughout the whole system.
- Avoid loud feedback for this is a main speaker killer.
- Clean only with dry cloth.
- Do not operate near heaters or place it on other apparatus which produce a lot of heat.
- Only use accessories specified by the manufacturer.
- Make sure the mounting surface can easily support the speaker's weight.
- Use only industry-accepted rigging tools and methods.
- Use sufficient loudspeakers and avoid death spots.
- Being exposed to loud levels over a long time can cause severe hearing loss.
- Don't forget to consult the local law directions regarding producing sound in public places.
- Please check the unit's condition after unpacking. If the outside of the carton box has been damaged, inform your shipper immediately.

Features and benefits

- Neutral black or white design
- Mono 4 or 16 ohm driven
- Band pass (6th order)
- Dual coil 10" subwoofers in push pull configuration
- 600 W power handling
- Smooth punchy bass

Installation

The two speakon connectors are wired in parallel. The rocker switch gives you the possibility to turn your SUB2400 into a 4 or 16 ohm version.

To get the best result in producing low frequencies, you should keep the minimal impedance of your subwoofer system as high as possible, certainly when cables of more than 10 meters are used. Four subwoofers at 16ohm will produce a higher sound pressure than two subwoofers at 4 ohm. The 16 ohm subwoofer will also draw less power from your power amplifier!

The -1/-2 and the +1/+2 speakon connectors are wired in parallel.

Recommended cable length vs. load vs. cable diameter.

Load	2.5 mm ²	4 mm ²
2 ohms (2 x SUB2400 at 4 ohms)	< 7.5 m	< 12.5 m
4 ohms (4 x SUB2400 at 16 ohms)	< 15 m	< 25 m
8 ohms (2 x SUB2400 at 16 ohms)	< 30 m	< 50 m
16 ohms (1 x SUB2400 at 16 ohms)	< 60 m	< 100 m



Subwoofer configuration

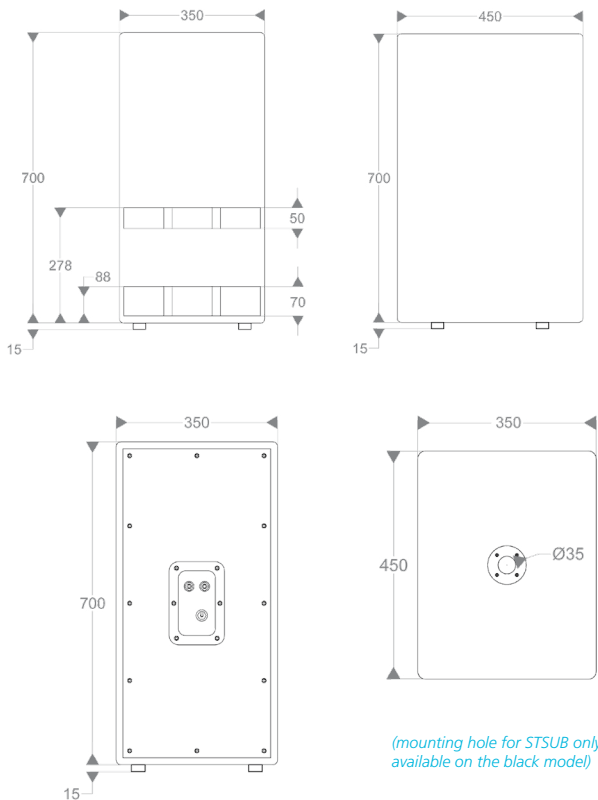
The SUB2400 is a perfect match with the CHAMP-3D and the MASK8 in the combination shown below.



Please note that the SUB2400 has a 35 mm pole mounting hole to mount the STSUB pole and one MASK8 loudspeaker or 2 MASK8 loudspeakers if you add the STT bracket to the STSUB pole.



Technical drawing



warranty info

Warranty claims and claims for hidden defects can be considered only if the defects appear within the warranty period of 24 months and are notified within 8 days following their appearance per registered letter. The warranty is not valid in case of an incident, wear, for moving parts, power surges, inadequate packing or shipping, improper use or storage and the disregard of recommendations of Apart Audio. The warranty only concerns the spare parts and not the involved labor, transportation or any other costs. The product must be returned in the original packaging with the proof of purchase by an Apart Audio authorized reseller.

The general terms and conditions can be found here:

http://www.apart-audio.com/conditions/General_Terms_and_Conditions_Apart_Audio.pdf

developed
by
Apart Audio nv
Industriepark Brechtsebaan 8 bus 1
2900 Schoten - Belgium

Company names, product names and trademarks are property of their respective owners.

Apart-Audio specifications are subject to change without notice.

