

WARNINGS

- **TO AVOID FIRE, SHOCK, OR DEATH; TURN OFF POWER AT CIRCUIT BREAKER OR FUSE AND TEST THAT POWER IS OFF BEFORE WIRING!**
- To be installed and/or used in accordance with appropriate electrical codes and regulations.
- If you are unsure about any part of these instructions, consult an electrician.

CAUTIONS

- Use this device with **copper or copper clad wire only**.
- For indoor applications only.
- Save these instructions.
- To avoid damage to the product, **DO NOT** use disinfecting products, including foggers, sprays or other types of atomized cleaning agents. **DO NOT** spray liquid onto the product. To clean use a damp cloth with mild soap.

INSTALLATION INSTRUCTIONS

ENGLISH

Before Installation

- Install into any single-gang device back box.
- Supports multi-gang installations.
- Requires Decora® faceplate, sold separately.
- Devices use 0-10VDC low voltage control wires which may be installed as Class 1 or Class 2.

IMPORTANT: If installed as Class 2, all devices in the circuit must be Class 2 rated and this dimmer must be wired per instructions below.

0-10V Dimming Installation

For 0-10V control wiring: connect the VIOLET wire to the +0-10V line and the PINK wire to the 0-10V COMMON using Class 1 or Class 2 wiring methods as indicated in these instructions (ballast/fixture/driver instructions or ballast/fixture/driver label markings). Observe all requirements of any authority having jurisdiction with respect to wire type, sleeving, isolation methods, and the like. Separation must be provided if Class 2 circuit is installed together with Class 1; refer to NEC/CEC code for allowable methods and specifications.

NOTE: Depending on date of manufacture, the pink 0-10V wire may be gray

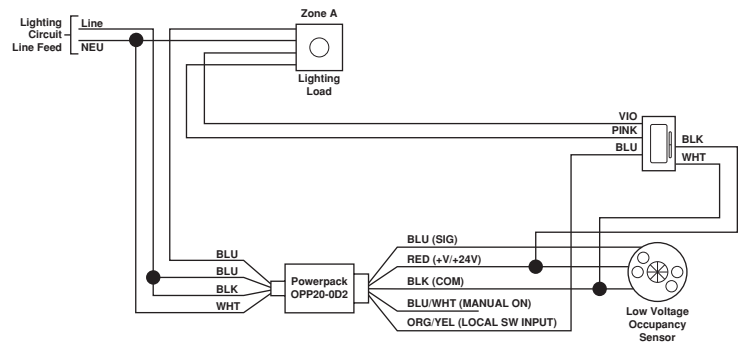
NOTE THE FOLLOWING:

- Silicone tubing should be NRTL (UL/CSA/ETL) recognized or equivalent to provide mechanical separation equal to .25 in. in air.
- Connectors joining 0-10V control wires should be approved LISTED CONNECTORS.
- Wire connectors and wire tubing should be provided by the installation contractor.

WARNING: TO AVOID FIRE, SHOCK, OR DEATH; TURN OFF POWER at circuit breaker or fuse and test that power is off before wiring!

1. Strip wires 3/4 in. and connect as per wiring diagram. Ensure wires are firmly attached and there is no exposed copper.

ZS057-ALZ	BACKBOX	PURPOSE
BLACK	RED	+24VDC
WHITE	BLACK	COMMON
BLUE	ORANGE/YELLOW	LOCAL SWITCH
GREEN	GREEN	GROUND
VIOLET	VIOLET	+0-10V (DIMMING)
PINK	PINK	COMMON (DIMMING)



Same Class Wiring Installation Shown

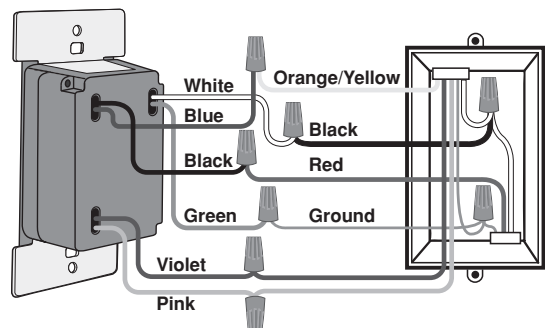
NOTE: Depending on date of manufacture, the pink 0-10V wire may be gray

2. Gently place the wires and your device into the wall box and attach with screws provided.

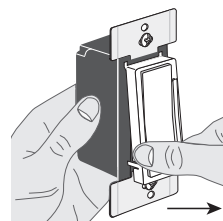
3. Restore power and test ON/OFF operation. Status light should briefly flash GREEN when the top or bottom paddle is pressed.

4. If desired, change switch color.

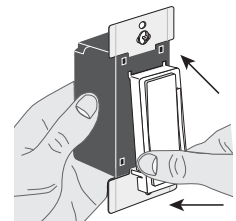
5. Install Decora faceplate.



NOTE: Depending on date of manufacture, the pink 0-10V wire may be gray



To release, push sides.



Line up and press in to attach.

Network Functionality

- Control functionality, LED behavior, and user interaction can be adjusted based on the features of your system. Please refer to your system documentation for details.
- Status Check
 - Push top or bottom of paddle for 5 seconds until the status light flashes AMBER once.
 - Release paddle.
 - Status light will blink to indicate device state.
 - One RED blink: device unconfigured.
 - Three GREEN blinks: connected to network, network formed.
- Enrollment
 - Out of the box, the device is not part of a network. To add the device to a compatible network, push top or bottom paddle for approximately 10 seconds, until the status light flashes AMBER a second time, to initiate Network Join mode.
 - Status light will blink GREEN slowly while looking for an open network.
- Factory Default – resets device to out of the box state.
 - Push top or bottom of paddle for approximately 20 seconds until the status light flashes AMBER the third time.
 - Release paddle.
 - Status light will alternate between GREEN/AMBER while device is resetting, and turn off when complete.
 - When complete, device will reboot then revert to Manual Join mode.

NOTE: Holding the top or bottom of the paddle for 25 seconds or greater will abandon this interaction and return to normal operation. You will know you have hit the 25 second mark because the status light will flash AMBER the fourth time.

FCC COMPLIANCE STATEMENT:

The enclosed device complies with Part 15 of the FCC Rules. Operation is subject to the following two conditions: (i.) This device may not cause harmful interference (ii.) This device must accept any interference received, including interference that may cause undesired operation. Any changes or modifications not expressly approved by Leviton could void the user's authority to operate this equipment. This equipment has been tested and found to comply with the limits for a Class B digital device, pursuant to part 15 of the FCC Rules. These limits are designed to provide reasonable protection against harmful interference in a residential installation. This equipment generates uses and can radiate radio frequency energy and, if not installed and used in accordance with the instructions, may cause harmful interference to radio communications. However, there is no guarantee that interference will not occur in a particular installation. If this equipment does cause harmful interference to radio or television reception, which can be determined by turning the equipment off and on, the user is encouraged to try to correct the interference by one or more of the following measures:

- Reorient or relocate the receiving antenna.
- Increase the separation between the equipment and receiver.
- Connect the equipment into an outlet on a circuit different from that to which the receiver is connected.
- Consult the dealer or an experienced radio/TV technician for help.

RF EXPOSURE AND CO-LOCATION:

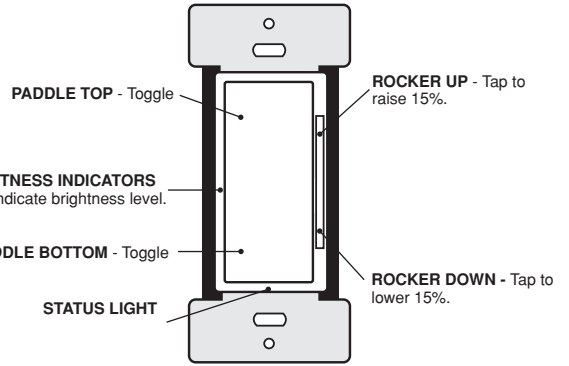
To comply with FCC OET Bulletin 65 and ICED RF exposure limits for general population / uncontrolled exposure this device should be installed and operated with a minimum distance of 7.9 inches (20 cm) between the radiator and your body. This transmitter must not be co-located or operated in conjunction with any other antenna or transmitter.

INDUSTRY CANADA COMPLIANCE STATEMENT:

This device complies with Industry Canada license-exempt RSS standard(s). Operation is subject to the following two conditions: (1) this device may not cause interference, and (2) this device must accept any interference, including interference that may cause undesired operation of the device. **IMPORTANT!** Any changes or modifications not expressly approved by the party responsible for compliance could void the user's authority to operate this equipment. This Class B digital apparatus complies with Canadian ICES-003.

FOR CANADA ONLY

For warranty information and/or product returns, residents of Canada should contact Leviton in writing at **Leviton Manufacturing of Canada ULC** to the attention of the **Quality Assurance Department, 165 Hymus Blvd, Pointe-Claire (Quebec), Canada H9R 1E9** or by telephone at **1-800-405-5320**.



SPECIFICATIONS	
Catalog Nos.	ZS057-ALZ
Input Voltage	24VDC
Input Current	20mA
Network Connections	IEEE 802.15.4, 2.4Ghz, wireless, mesh network up to 75 ft. range between device
Operating Temperature	0°C - 40°C (32°F - 104°F)
Storage Temperature	-40°C - 85°C (-40°F - 185°F)
UL Pollution Degree	2
UL Impulse Voltage	800V (24V Circuit), 4000V (0-10V Circuit)
Purpose of Control	Operating Control, Energy Management Equipment
Type Action Control	Type 1

LIMITED 2 YEAR WARRANTY AND EXCLUSIONS

Leviton warrants to the original consumer purchaser and not for the benefit of anyone else that this product at the time of its sale by Leviton is free of defects in materials and workmanship under normal and proper use for two years from the purchase date. Leviton's only obligation is to correct such defects by repair or replacement, at its option. **For details visit www.leviton.com or call 1-800-824-3005.** This warranty excludes and there is disclaimed liability for labor for removal of this product or reinstallation. This warranty is void if this product is installed improperly or in an improper environment, overloaded, misused, opened, abused, or altered in any manner, or is not used under normal operating conditions or not in accordance with any labels or instructions. **There are no other or implied warranties of any kind, including merchantability and fitness for a particular purpose,** but if any implied warranty is required by the applicable jurisdiction, the duration of any such implied warranty, including merchantability and fitness for a particular purpose, is limited to two years. **Leviton is not liable for incidental, indirect, special, or consequential damages, including without limitation, damage to, or loss of use of, any equipment, lost sales or profits or delay or failure to perform this warranty obligation.** The remedies provided herein are the exclusive remedies under this warranty, whether based on contract, tort or otherwise.

For Technical Assistance Call: 1-800-824-3005 (USA Only) or 1-800-405-5320 (Canada Only) www.leviton.com