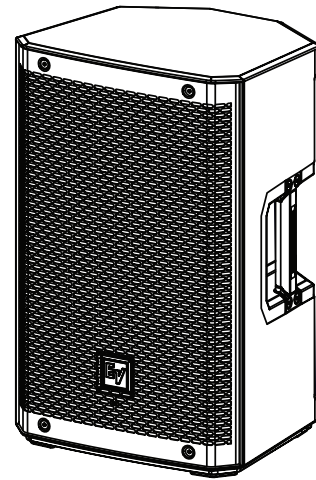


## ZLX-8P-G2 8" 2-way powered speaker

- ZLX-G2 is the next generation of the best-selling pro-audio loudspeaker series from Electro-Voice
- Increased maximum SPL output and extended frequency response
- Robust and ergonomic design for day-to-day durability and portability
- Advanced connectivity with Bluetooth® wireless stereo streaming and QuickSmart Mobile app control
- **POWERED BY DYNACORD** - built in digital mixer with FX, AFS, ducker, PEQ and more



The new ZLX-G2 professional audio loudspeaker series is the next generation of the best-selling speakers from Electro-Voice, which raises the standard for performance and features in its class.

The ZLX-G2 series is offered in 15-inch, 12-inch, and new 8-inch woofer sizes, both powered and passive variants.

ZLX-G2 loudspeakers lead with acoustic output and extended frequency range. The Electro-Voice-patented Signal Synchronized Transducers (SST) baffle design ensures enhanced bass response, smaller size and more even coverage across all frequencies.

ZLX-G2 is designed with a robust and ergonomic enclosure for day-to-day durability and portability. **POWERED BY DYNACORD**, all powered ZLX-G2 loudspeakers feature a built-in digital mixer with FX, EQ, automatic feedback suppression (AFS) and ducking. The mixer includes two XLR/TRS combo jacks, and provides 24V phantom power and Hi-Z compatibility.

Bluetooth® stereo streaming and linking for true wireless stereo setup are integrated into the ZLX-G2 series. The mixer and all speaker functions are easily controlled from the Electro-Voice QuickSmart Mobile app. The app allows pairing and grouping of up to six loudspeakers, in any combination.

The new larger full-color LCD display and simple single encoder and push-key interface result in quick setup and more user control. Powered ZLX-G2 loudspeakers contain Electro-Voice-specific subwoofer presets that adjust for both gain and time alignment,

resulting in full acoustic optimization. Additional high-pass filters (HPF) are available in the DSP for increased compatibility.

ZLX-G2 series accessories such as padded covers, a U-bracket for mounting 12- and 15-inch models, a truss clamp adapter for 8-inch models, and universal wall-mount brackets compatible with all models are available.

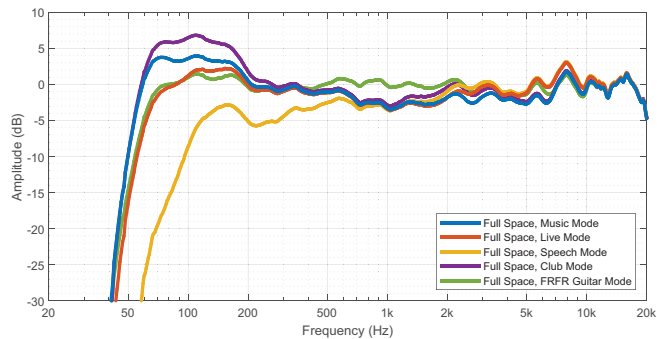
### Technical specifications

Frequency response (-3 dB) (Hz) <sup>1</sup>	58 Hz – 20,000 Hz
Frequency range (-10 dB) (Hz) <sup>1,2</sup>	50 Hz – 20,000 Hz
Maximum sound pressure level at a distance of 1 m (dB) <sup>3</sup>	126 dB
Coverage angle HxV (°)	90° x 60°
Crossover frequency (kHz)	1.40 kHz
Power rating (W)	1000 W
Power consumption (V, Hz) <sup>4</sup>	100 - 240 V~, 0.8 - 0.5 A, 50 - 60 Hz
LF transducer	WECA2088
LF transducer size (in)	8 in
LF transducer magnet material	Ferrite
HF transducer	DECA2516
HF transducer type	Compression driver
HF transducer size (in)	1.40 in
HF transducer magnet material	Ferrite
HF transducer diaphragm material	Titanium

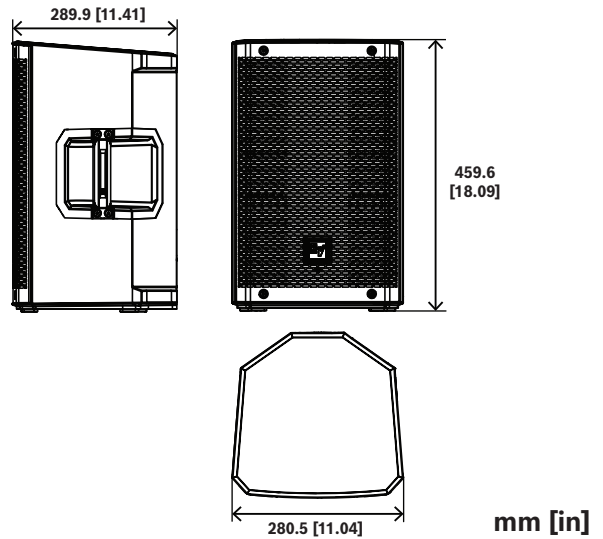
Connector type	(2) XLR/TRS combo, (1) 1/4-inch TS Hi-Z
Material	Polypropylene
Grille material	Powder coated steel
Dimensions (H x W x D) (mm)	459.6 mm x 289.9 mm x 280.5 mm
Dimensions (H x W x D) (in)	18.09 in x 11.41 in x 11.04 in
Shipping dimensions (H x W x D) (mm)	500 mm x 390 mm x 350 mm
Shipping dimensions (H x W x D) (in)	19.69 in x 15.35 in x 13.78 in
Weight (kg)	10.64 kg
Weight (lb)	23.46 lb
Shipping weight (kg)	12.58 kg
Shipping weight (lb)	27.73 lb

- 1) Full space measurement using music DSP preset.
- 2) Half-space measurement.
- 3) Maximum SPL is measured at 1 m using broadband pink noise at maximum output.
- 4) Current rating is 1/8 power.

**Frequency response:**



**Dimensions:**



**Ordering information**

**ZLX-8P-G2-EU 8" 2-way powered speaker, EU cord**  
 Powered 8-inch 2-way loudspeaker, EU cord, black  
 Order number **ZLX-8P-G2-EU | F.01U.385.527**

**ZLX-8P-G2-US 8" 2-way powered speaker, US cord**  
 Powered 8-inch 2-way loudspeaker, US cord, black  
 Order number **ZLX-8P-G2-US | F.01U.385.524**

**Accessories**

**ZLX-8-G2-CVR Padded cover for 8" ZLX-G2 models**  
 Padded cover for 8-inch ZLX-G2 loudspeaker models, EV logo, black  
 Order number **ZLX-8-G2-CVR | F.01U.385.533**

**BRKT-POLE-S Wall mount bracket 8",10" 2-way speaker**  
 Pole mount bracket for 8-, 10- and some 12-inch loudspeakers, black  
 Order number **BRKT-POLE-S | F.01U.385.536**

**BRKT-POLE-L Wall mount bracket 12",15" 2-way speaker**  
 Pole mount bracket for loudspeakers up to 15 inches, black  
 Order number **BRKT-POLE-L | F.01U.385.537**

**TCA-ZX1-LB Truss clamp adapter for ZX1, ZLX 8"**  
 Truss clamp adapter for ZX1 and 8-inch ZLX, black  
 Order number **TCA-ZX1-LB | F.01U.274.383**

**Represented by:**

**Germany:**  
 Bosch Sicherheitssysteme GmbH  
 Robert-Bosch-Ring 5  
 85630 Grasbrunn  
 Germany  
 www.electrovoice.com

Bosch Security Systems, LLC  
 12000 Portland Avenue South  
 Burnsville MN 55337  
 USA