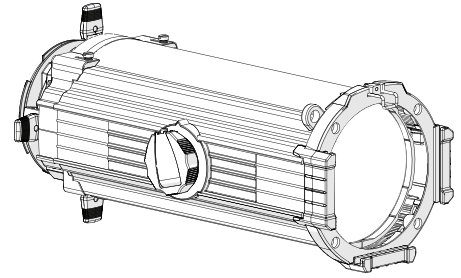


ETC Installation Guide

XDLT Zoom Lens Tube

The XDLT Zoom Lens Tube provides one-handed zoom operation from 15°–30° for Source Four LED Series 3 fixtures. For full instructions on using this fixture, see the *Source Four LED Series 3 User Manual*, available for download at etcconnect.com.



You may choose to use a balance yoke with the XDLT Zoom Lens Tube. For more information on the Source Four LED Balance Yoke, visit etcconnect.com.



WARNING: The XDLT Zoom Lens Tube is not compatible with Source Four incandescent fixtures. Use with incandescent fixtures will result in damage to the lens tube and will void the ETC warranty.

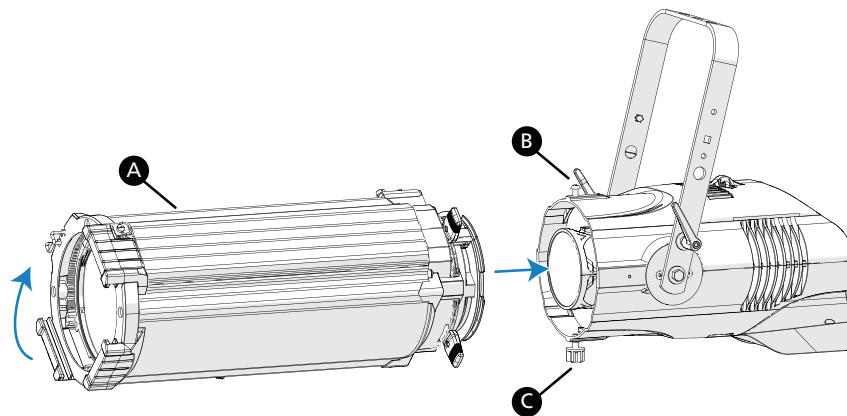


WARNING: When adjusting the fixture tilt, be aware that a lens tube adds weight to the front of the fixture. Use caution to control unintended fixture movement when adjusting the fixture tilt.

AVERTISSEMENT : Lorsque vous ajustez l'inclinaison de l'appareil, sachez que le nez optique ajoute du poids à l'avant de l'appareil. Soyez prudent afin de contrôler des mouvements involontaires du luminaire lors du réglage de son inclinaison.

Install

Insert the XDLT Zoom Lens Tube (A) into the light engine, and rotate clockwise 45 degrees. Secure with the provided screw (B) and barrel rotation knob (C).

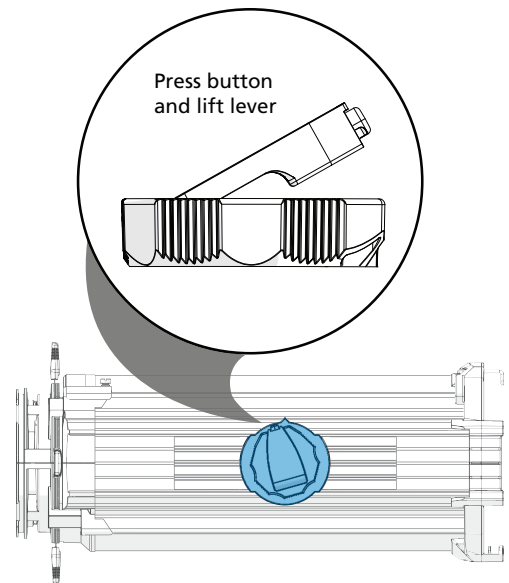


ETC Installation Guide

XDLT Zoom Lens Tube

Adjust the Zoom and Focus

1. Press the button on the locking lever, and then lift the locking lever to unlock the dial.
2. Rotate the dial as needed to narrow or enlarge the field angle.
3. Slide the dial forward or backward as needed to soften or sharpen the beam edge.
4. Press the locking lever back in place to lock the dial in position.



Clean the Lenses



WARNING: Do not use ammonia-based cleaners or other harsh commercial cleaners. Clean lens only as directed.

Commercially available glass cleaning agents should be avoided as they may contain ammonia, other harsh chemical detergents or abrasive agents. These cleaners may damage the glass surface and the Anti-Reflective coatings. Do not immerse or soak the glass in any cleaning solution.

1. If you are using a balance yoke, rotate the lens tube to its limit in one direction (approximately 25 degrees) so that the door on the side of the lens tube will clear the balance yoke.
2. Rotate the door fastener a quarter turn to the right or left, and then open the door.
3. Set the zoom to the narrowest field angle to maximize the distance between the lenses.
4. Remove any dust with a blast of oil-free air or wipe with a clean, lint-free cloth. You can use isopropyl alcohol, distilled water, or a 50%-50% mixture of each to clean the glass surface.
5. Close the door, and then rotate the door fastener a quarter turn to secure it.

