

# VL800 PROPAR

Date: \_\_\_\_\_  
Type: \_\_\_\_\_  
Firm: \_\_\_\_\_  
Name: \_\_\_\_\_  
Project: \_\_\_\_\_

The Vari-Lite VL800 PROPAR is an advanced LED event PAR fixture that has the DNA of Vari-Lite built in. This high output fixture includes a quiet running motorized zoom and is a cost-effective solution that looks and feels like the professional luminaire you'd expect from Vari-Lite. The VL800 PROPAR offers full RGBW color mixing and has gel-matched color presets to deliver the same visual results customers are accustomed to using, as well as multi-mode fan control for use in quiet environments.



- Cost-effective, high output LED professional PAR built by Vari-Lite - affordable LED PAR from a brand you trust.
- Full RGBW color mixing - variable color mixing with saturation control, offering numerous vivid and creative color options.
- Gel color presets matched to traditional gel numbers - use the colors you have always used without the need to change gels.
- Motorized zoom - remote beam angle control with the smooth zoom movement of a Vari-Lite fixture.
- Multi-mode fan control - adjust settings to control fan noise. Offers a low dB experience across all frequencies, eliminating buzzing or hums from an otherwise quiet device. Mode options include standard, studio, and whisper mode.
- Adjustable frequency to exceed camera frame rates - camera-friendly fixtures for IMAG or live televised events.

For detailed product information, please refer to [www.vari-lite.com/global/products/vl800-propar](http://www.vari-lite.com/global/products/vl800-propar)



VARI\***LITE**

# Specifications

Due to continuous improvements and innovations, specifications may change without notice.

## Source

Type	Osram 30 W RGBW LED array
Source Power Consumption	7 x 30 W

## Optical Performance

Beam Angle	6–40°
Control	Motorized
Lumens	3,500
Output CCT	7300 K (white color)
Strobe	Yes
CRI RA	>90

## Color System

Color Mixing	RGBW
CTO	Preset CTO 2700 - 10000 K
Fixed Colors	44 color presets

## Electrical

Power Consumption	260 W
Power Connector	Twist-Lock black/yellow - In / Thru
Input Voltage	100–240 VAC, 50 / 60 Hz

## Data

User Interface	4-push button control
DMX (RDM)	In and Thru 5-pin XLR
DMX Modes	16 bit = 15 channels (default) 8-bit = 10 channels Color mode = 5 channels

## Physical

Construction	Metal frame, Plastic covers
Finish	Black, White
Fixture Dimensions	228 x 181 x 304 mm (9 x 7 x 12 in)
Packed Dimensions	550 x 365 x 305 mm (12 x 9 x 7 in)
Fixture Weight	6 kg (13 lb)
Packed Weight	8 kg (17 lb)

## Noise Level / Fan Control

 (Base Level 18.6 dB)

Standby Mode	20.1 dB
Full On	33.5 dB
Fan Level Preset	Standard, Studio, Whisper

## Certification and Safety

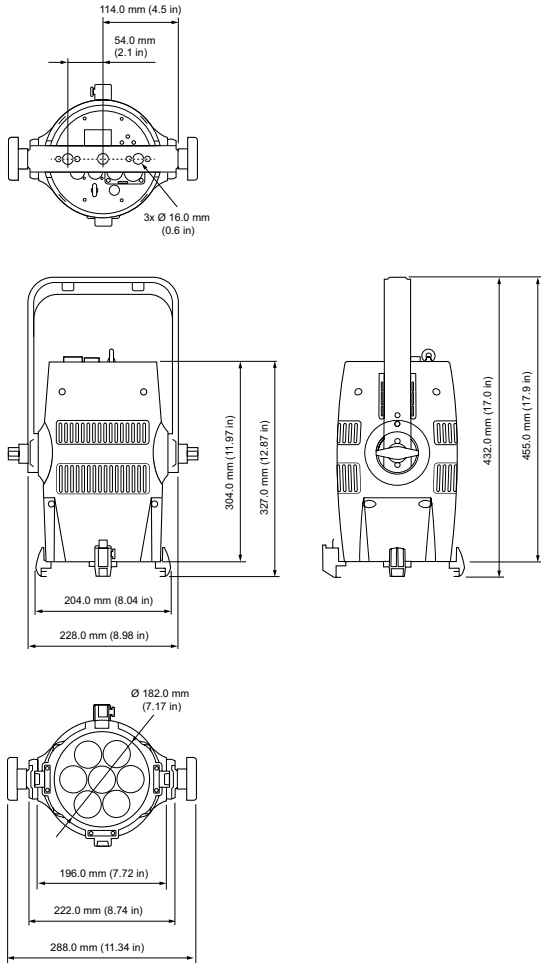
Approbations	CE, ETL, UL, FCC CSA, RoHS, ISO 9001
IP Rating	IP20

## Photometrics and IES Files

Narrow @ 5 m / 16.4 ft	6,700 lux (622 foot candles)
Wide @ 5 m / 16.4 ft	390 lux (36 foot candles)
Narrow @ 10 m / 32.8 ft	1,645 lux (153 foot candles)
Wide @ 10 m / 32.8 ft	120 lux (11 foot candles)

For IES files and photometric reports, please refer to the product page: [www.vari-lite.com/global/products/vl800-propar](http://www.vari-lite.com/global/products/vl800-propar)

# Dimensions



# Luminaire and Accessories

Product	Order Code
VL800 PROPAR, Black, 7 x 30w RGBW LED PAR, 6° to 40° motorized zoom, and power input connector	912400575000
VL800 PROPAR, White, 7 x 30w RGBW LED PAR, 6° to 40° motorized zoom, and power input connector	912400576843
Accessories	
VL800 PROPAR 185 mm (7.3 inches) 4 Leaf Barndoor Assembly	912400575016
VL800 PROPAR Top Hat Accessory	912400575017

