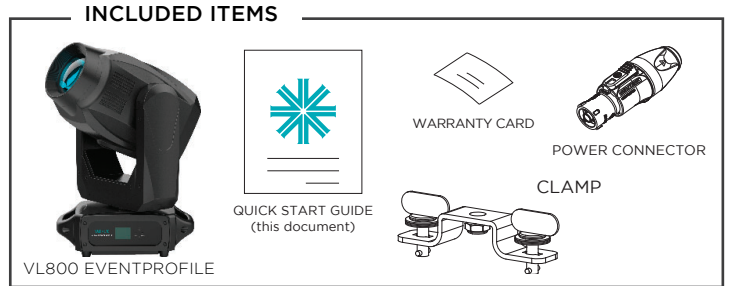


VL800 EVENTPROFILE

This document provides basic setup instructions and safety warnings for the following product(s):

91200545005	VL800 EVENTPROFILE
-------------	--------------------



POWER AND DATA

CONNECTING POWER

The luminaire requires standard AC power distribution from 100-240 VAC, 50/60 Hz. Current required depends on the AC supply voltage and product model.

NOTE: The mating power connector is supplied; however, you will need to purchase or construct a cable appropriate for your application.

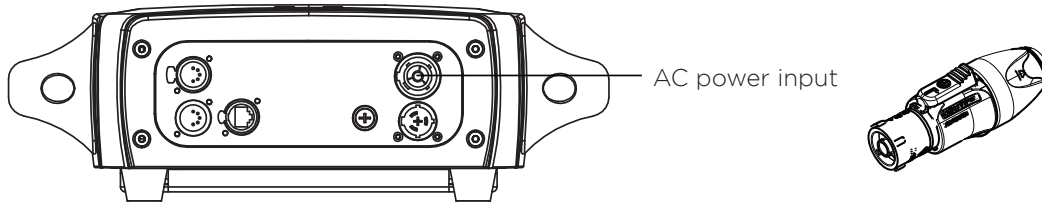


FIGURE 1. POWER CONNECTOR

Depending on the application, the luminaire's AC input cable may require a different connector. If required, install a new connector meeting your requirements using the included wire color code reference.

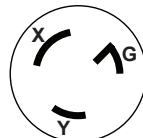
WIRE*	CONNECTION
green / yellow	Ground (earth)
blue	AC neutral
brown	AC line

*International (harmonized) standard

WARNING! DO NOT connect to three-phase service in countries with 240 volt power.

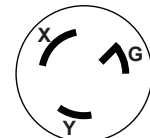
For single-phase power at 240V RMS:

CONNECTION	PIN
AC neutral	X
AC line	Y
Ground (earth)	G



For three-phase power at 200V RMS:

CONNECTION	PIN
Phase 1	X
Phase 2	Y
Ground (earth)	G



WARNING! Do not power any Vari-Lite luminaire from a dimmer - even in 'NONDIM' mode. Dimmer and non-dim modules are not suitable sources of power because their output modifies the AC wave form. This may work for a short time, but will eventually result in power problems, luminaire error and/or failure and may void the luminaire's warranty.

CURRENT VS. VOLTAGE

TABLE 1 provides the luminaire's current draw at specific voltages. Total Luminaire Current is calculated with the LED on and all motors sequencing.

WARNING! It is the responsibility of the user to adequately protect supply source with a correct size and type circuit breaker and not overload circuits.

TABLE 1. CURRENT VS. VOLTAGE (1X300W LED)

AC VOLTAGE AT 60HZ	TOTAL LUMINAIRE CURRENT (MOTOR + LED CURRENT)
100V	5.63A
110V	5.08A
120V	4.61A
130V	4.26A
200V	2.72A
210V	2.60A
220V	2.48A
230V	2.38A
240V	2.28A

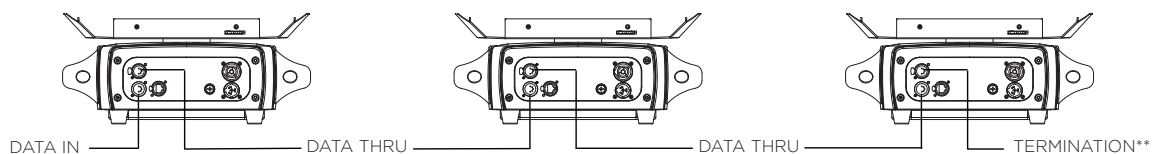
CONNECTING DATA

A maximum of 32 luminaires may be connected in any one DMX data link.

NOTE: This maximum limit applies to the luminaire "daisy chain" only. Your system or console may require fewer luminaires on a single data link path. Consult your console documentation for more information.

To connect power and data:

- Step 1. Connect data cable from console to first luminaire in chain at DATA IN connector.
- Step 2. If required, connect additional data cables from DATA THRU connectors to DATA IN
- Step 3. At last luminaire in link, install male termination connector at DATA THRU connector. (Luminaires and other devices on the same DMX chain may not function properly without termination)



**DMX terminator required for last fixture on DMX line

FIGURE 2. DATA LINK

- Step 4. Connect AC Input Cable connector to power input source.
- Step 5. Dress AC input and data cables and secure them so that they will not interfere with luminaire head and yoke movement.

INSTALLATION

FLOOR MOUNTING THE LUMINAIRE

This luminaire included in this manual are designed to sit directly in a floor installation application. When used in this type of application, be sure to leave enough space around the luminaire to allow proper, uninterrupted airflow for cooling and movement.

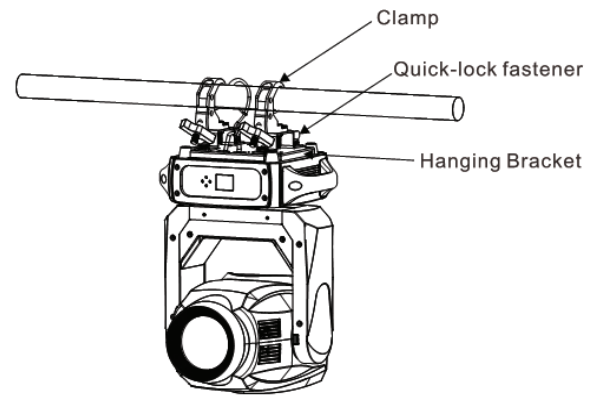
HANGING THE LUMINAIRE

The VL800 EVENTPROFILE Luminaire can be hung horizontally or vertically from any structure designed to work with the type of load created. Clamp and Quick lock fastener or other mounting hardware are required. Many compatible truss hooks are available from different manufacturers for your particular needs.

One Quick-lock fastener per luminaire is required. If mounting method does not use truss hooks, two attachment points per luminaire, are required. Always ensure the diameter of safety cable is at least 4 mm, which can support at least 12 times the weight of the unit.

To install mounting hardware and brackets:

Step 1. Bolt each clamp to the Omega holder with screw and lock nut through the hole in the holder as shown in **FIGURE 3**.



NOTE: Various types of truss hooks can be used. The Clamp (as shown) as well as many other standard hooks, can be ordered separately.

Step 2. Faster the omega holders on the bottom of the base by inserting quick-lock fasteners into the holes of the base and tighten fully clockwise.

Step 3. Hang the fixture to the support through clamp and faster the screws, faster the safety cable through the bottom of the base and over the support.

WARNING! Ensure that the bracket locking mechanism is fully seated after the bracket is installed on the luminaire.

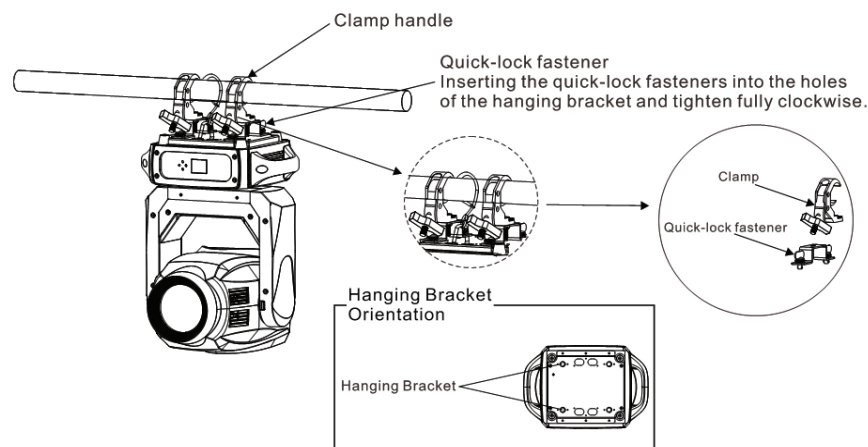


FIGURE 3. INSTALLING BRACKETS ON LUMINAIRE ENCLOSURE

To install luminaire in truss:

Step 1. Lift luminaire into mounting position.

Step 2. Secure in place with clamp handle. Ensure clamp handle hardware that Quick-lock fastener hook in place (eg. wing bolt) is properly tightened and that luminaire is fully supported.

Step 3. Attach safety cable (as required) as follows (refer to **FIGURE 4**):

- a. Loop safety cable at least once around safety cable anchor point rod.
- b. Loop safety cable at least once around truss/pipe and secure around pipe.



SAFETY CABLE: Recommended for hanging installations. May be required by local codes. Safety cable sold separately.

NOTE: Truss hooks shown are sold separately. Truss and pipe by others.

Step 4. Make sure hanger is disengaged so luminaire moves freely.

Step 5. Connect power and data cables.

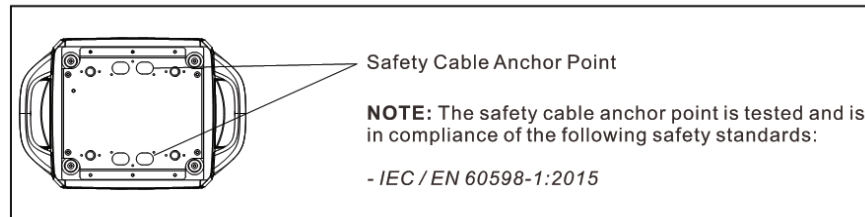
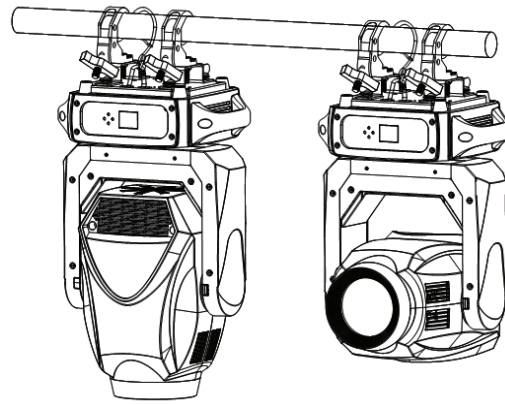


FIGURE 4. SAFETY ANCHOR

When hanging the luminaire in a side hang position, natural convection and the designed direction of the inlet and exhaust cooling fans dictate that the inlet should be closest to the floor and the exhaust should be towards the ceiling. This eliminates the possibility of one luminaire blowing exhaust air into the inlet of the luminaire next to it when the luminaires are side-by-side.

If the luminaires are stacked on top of one another in a side hang, a 45° enclosure orientation with the fan inlet closest to the floor.

MENU OPERATION

LCD DISPLAY AND MENU SYSTEM

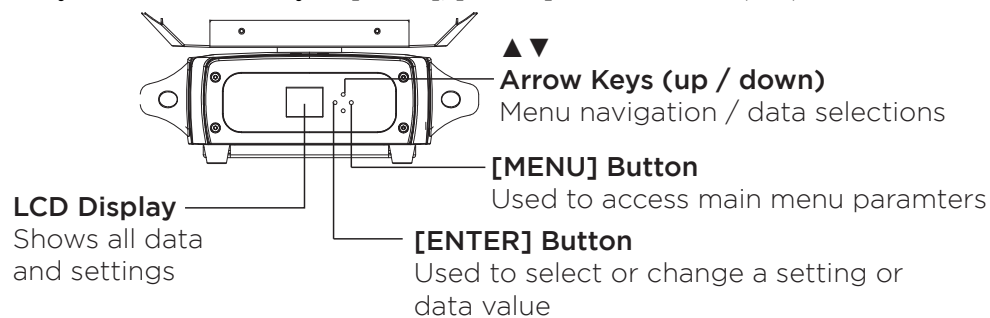
The VL800 Eventprofile Luminaire's LCD Display and Menu System provide local control for accessing the following fixture's settings:

- Address - to set the DMX address
- Configure - various parameter settings, set LED, movement, display, reset defaults
- DMX - change the map, set address,
- Fixture - fixture status, ReCal, reboot, software version, view fixtures hours, crossload, service
- Test - to test functions of parameters
- Manual Preset - to set the intensity, all functions

The menu system is controlled at the Menu Display available at the enclosure input panel. If there are multiple luminaires in a system, any settings or changes would need to be made at each LCD Menu as desired.

MENU CONTROLS

The menu system is controlled by an [MENU], [ENTER] and two Arrow (▲▼) buttons.



MENU OPERATION

The LCD Display Menu system consists of several categories. Use the Menu Buttons to access and make changes to the menu items. When the desired menu item is reached, press the desired Menu Button to display the menu options and to navigate and configure the menu options as required.

To navigate and access menu setting/selections:

- Step 1. Make sure unit is powered and turned on.
- Step 2. Press [MENU] to access menu categories.
- Step 3. Use two Arrow (▲▼) buttons to navigate through the various options and settings.
- Step 4. Once menu item is reached, press [ENTER] to access the menu item parameters.
- Step 5. Make changes to parameters as desired.
- Step 6. Press [ENTER] button to accept changes.

DMX ADDRESS

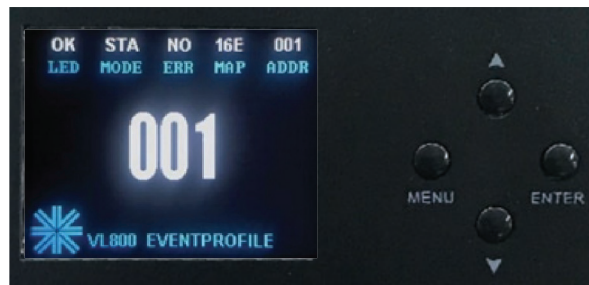
To set, edit, and save a DMX address:

- Step 1. Press [MENU].
- Step 2. Press [Up] / [Down] (▲▼) arrows until Address (DMX Address) appears. Press [Enter].
- Step 3. Use [Up] / [Down] (▲▼) arrow buttons to select the desired digit.
- Step 4. Once all digits are set in DMX address, press [Enter] to set.
- Step 5. DMX will display and is saved.

STATUS BAR

The Status Bar is present at all times and displays luminaire operational information of the luminaire. The Status Bar contains the following information:

- LED – indicates current LED state - ON or OFF.
- MODE – indicates current mode, standard, studio or whisper mode.
- ERR – Displays a number indicating the total amount of current errors can cycle through short text descriptions of each error. Example: “Fan” or “LED”. When errors are present, messages will appear in red text. When no errors are present, NO will display.
- MAP – indicates 16-bit Enhanced, 16-bit or clone mode
- ADDR – Displays the current DMX address for the fixture.



NOTE: When the fixture does not detect a DMX input signal, the DMX address text displays in red text.

TABLE 2. QUICK REFERENCE MENU KEY SHORTCUTS

MENU KEY SHORTCUTS	FUNCTION
Holding Menu at Power up	Bypass Calibration
Menu + Up (▲)	ReCal All
Menu + Down (▼)	Pan / Tilt Deactivated
Menu + Enter	Factory Defaults
Enter + Up (▲)	Lamp On
Enter + Down (▼)	Lamp Off
Up (▲) + Down (▼)	Display FLIP
Enter + Up (▲) + Down (▼) at Power up	Reset Timers Shortcut

QUICK REFERENCE DMX MAP

DMX	16-BIT ENHANCED	16-BIT	CLONE MODE
1	Intensity High	Intensity High	Intensity High
2	Intensity Low	Intensity Low	Intensity Low
3	Pan High	Pan High	Pan High
4	Pan Low	Pan Low	Pan Low
5	Tilt High	Tilt High	Tilt High
6	Tilt Low	Tilt Low	Tilt Low
7	Focus High	Focus High	Focus High
8	Focus Low	Focus Low	Focus Low
9	Zoom High	Zoom High	Zoom High
10	Cyan	Cyan	Cyan
11	Yellow	Yellow	Yellow
12	Magenta	Magenta	Magenta
13	CTO	CTO	CTO
14	Color Wheel	Color Wheel	Color Wheel
15	Color Wheel Control	Color Wheel Control	Gobo Wheel 1
16	Gobo Wheel 1	Gobo Wheel 1	Gobo 1 Rot/Index High
17	Gobo 1 Rot/Index High	Gobo 1 Rot/Index High	Gobo 1 Rot/Index Low
18	Gobo 1 Rot/Index Low	Gobo 1 Rot/Index Low	Gobo Wheel 2
19	Gobo Wheel 1 Control	Gobo Wheel 1 Control	Iris
20	Gobo Wheel 2	Gobo Wheel 2	Frame 1A
21	Gobo Wheel 2 Control	Gobo Wheel 2 Control	Frame 1B
22	Iris	Iris	Frame 2A
23	Frame 1A	Frame 1A	Frame 2B
24	Frame 1B	Frame 1B	Frame 3A
25	Frame 2A	Frame 2A	Frame 3B
26	Frame 2B	Frame 2B	Frame 4A
27	Frame 3A	Frame 3A	Frame 4B
28	Frame 3B	Frame 3B	Frame Rotate
29	Frame 4A	Frame 4A	Triangular Prism
30	Frame 4B	Frame 4B	Prism Index/Rot High
31	Frame Rotate	Frame Rotate	Prism Index/Rot Low
32	Triangular Prism	Triangular Prism	Frost
33	Prism Index/Rot High	Prism Index/Rot High	Strobe / Shutter
34	Prism Index/Rot Low	Prism Index/Rot Low	Programmers Channel
35	Frost	Frost	Luminaire Control
36	Strobe Speed	Strobe Speed	
37	Strobe Control	Strobe Control	
38	Programmers Channel	Programmers Channel	
39	Focus Timing	Fan Control	
40	Optics Timing	Luminaire Control	
41	Color Timing		
42	Beam Timing		
43	Gobo Timing		
44	Fan Control		
45	Luminaire Control		
46			
47			
48			

SAFETY WARNINGS AND NOTICES

When using electrical equipment, basic safety precautions should always be followed including the following:

READ AND FOLLOW ALL SAFETY INSTRUCTIONS.

For indoor, dry locations only. Do not use outdoors. Exposure to rain or moisture may damage fixture unless it is suitably IP rated.

Equipment should be mounted in locations and at heights where it will not readily be subjected to tampering by unauthorized personnel.

The use of accessory equipment not recommended by the manufacturer may cause an unsafe condition.

Not for residential use. Do not use this equipment for other than intended use.

Refer service to qualified personnel. This fixture contains no user serviceable parts.

Prior to first use, carefully inspect unit for damage from shipping.

Installation and operation to be performed by qualified personnel only.

Use safety tether when mounting.

Install only in locations with adequate ventilation of at least 50cm clearance from adjacent surfaces.

Note distance requirement(s) from combustible materials or illuminated objects. Do not mount near gas or electric heaters.

Ensure that ventilation slots are not blocked.

Ensure that the voltage and frequency of the power supply match the power requirements of the fixture.

The fixture must be earthed/grounded to the appropriate conductor.

Do not operate fixture outside the ambient temperature range of -5 to 45°C.

Do not connect the fixture to any dimmer pack.

New fixtures may emit a chemical odor due to the manufacturing process. This odor will dissipate over time.

Prior to each use, carefully inspect power cables and replace any damaged cables.

Exterior surfaces of the fixture are hot during operation. Take appropriate precautions.

Power down the fixture when not in use. Continuous use of the fixture may shorten the lifespan.

Clean fixture regularly, particularly when working in a dusty environment.

Never touch power cables or wires while the fixture is powered on.

Avoid entangling power wires with other cables.

In the event of a serious operating problem, immediately discontinue using the fixture.

Never turn on and off the unit time after time.

The housing, lenses, and/or the ultraviolet filter must be replaced if they are damaged.

Disconnect mains power if the fixture is not used for a long time.

Original packing materials can be reused for transporting the fixture.

Do not look directly at the light beam while the fixture is on.



SAVE THESE INSTRUCTIONS.

WARNING: Refer to National Electrical Code® and local codes for cable specifications. Failure to use proper cable can result in damage to equipment or danger to personnel.

CUSTOMER SERVICE

If you have any questions regarding this product, please contact Customer Service at +1-214-647-7880 or via e-mail at entertainment.service@signify.

LIMITED 2-YEAR WARRANTY

Vari-Lite offers a two-year limited warranty on its control products against defects in materials or workmanship from the date of delivery.

A copy of Vari-Lite two-year limited warranty containing specific terms and conditions can be obtained from the Vari-Lite website at www.vari-lite.com or by contacting your local Vari-Lite office.

TECHNICAL SUPPORT

GLOBAL 24HR TECHNICAL SUPPORT:

Call: +1 214 647 7880
entertainment.service@signify.com

NORTH AMERICA SUPPORT:

Call: 877-VARI-LITE (877-827-4583)
entertainment.service@signify.com

EUROPEAN CUSTOMER SERVICE CENTER:

Call: +31 (0) 543 542 531
entertainment.europe@signify.com

©2022 Signify Holding. All rights reserved.

All trademarks are owned by Signify Holding or their respective owners. The information provided herein is subject to change, without notice. Signify does not give any representation or warranty as to the accuracy or completeness of the information included herein and shall not be liable for any action in reliance thereon. The information presented in this document is not intended as any commercial offer and does not form part of any quotation or contract, unless otherwise agreed by Signify. Data subject to change.

vls_copyright