

VL1600 PROFILE

Date: _____

Type: _____

Firm Name: _____

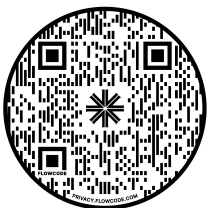
Project: _____

For a wide color range and maximum flexibility, the Vari-Lite VL1600 PROFILE combines a high-definition tunable white LED source with CMY color mixing. The tunable white engine lets designers can achieve warm and cool light from a single luminaire without sacrificing output or CRI, along with a wide range of colors from subtle pastels to bold saturated colors. The VL1600 PROFILE includes the innovative Vari*frost system, giving designers a truly seamless graduated frost that diffuses the entire aperture at one time. This effect can be controlled remotely from the console and doesn't require you to change glass or add filters. To simplify startup and minimize movement in the rig, the patented reduced-movement calibration system in the VL1600 PROFILE calibrates pan and tilt on the fixture while only requiring it to move to 50/50 home position during the process. Fixtures are calibrated in less time, with less lasting effect or potential for damage to the rig or hanging scenery.



- Precision high-output profile luminaire designed for theatre and studio – ideal moving head fixture for precision key lighting and special effects in the most demanding of productions.
- CMY color mixing and fast-change fixed color wheel – A wide color spectrum mixing both pastel and saturated colors matched to existing Vari-Lite fixtures.
- Tunable White LED Source – achieve cold and warm looks from the same fixture with consistently high CRI.
- Vari*frost variable frost system – Smooth frost adjustable from edge softening to full wash diffusion without adding filters or changing glass.
- Four frame shutter system with near-the-optics positioning – precise framing and focus.
- Exclusive VL*FX animation wheel designed for theatre – updated animation wheel designed to replicate natural lighting effects such as fire, water, and earth tones.
- Limited movement calibration start up – reduce risk of the fixture hitting set objects or shaking the rig. Minimal calibration start-up noise.
- Adjustable frequency to exceed camera frame rates – camera friendly fixtures for IMAG or televised events.
- Multi-mode fan control including standard, studio, whisper, and fanless silent modes – adjust settings to control fan noise. Offers a low dB experience across all frequencies, eliminating buzzing or hums from an otherwise quiet device.
- Rotating gobo wheel, zoom, and iris – professional features designed for theatrical lighting. Multiple visual options for a variety of uses.
- Nose cone accessory mounting options – easily add additional filters or other accessories as desired.
- Size and weight to be comparable to VL2600 PROFILE – works easily in rigs using VL2600.

For detailed product information, please refer to the Product Guide at www.vari-lite.com/global/products/vl1600-profile



VARI*LITE

Specifications

Due to continuous improvements and innovations, specifications may change without notice.

Source

ESE LED System	Bichromatic Light Engine
Source Max Power Consumption	600 W
Source Lumens	33,000
Source CCT	Variable, 3200 K to 7200 K
LED Refresh Rate	1200Hz to 25kHz
Dimming	Electronic 16-bit
Dimmer Curves	Square Law (Default), Linear, S -Curve
Dimmer Control Option	Dimmer Snap On/Off
	On reduces auto dimmer smoothing
Strobe	Electronic
Strobe Modes	Continuous, Random, Random Sync

Optical Performance

Zoom Range	7 - 48°
Zoom Control	Motorized 16-Bit Zoom with V*Track focus
Output Lumens	16,000
Default Color Output Color Temperature	5200 K
Lens Size	180 mm (7.0 in)
CRI RA	3200 K - 95 5200 K - 89 7200 K - 78
Tm30	3200 K - Rf 93 / Rg 102 5200 K - Rf 87 / Rg 99
Focus	Motorized V*Track Focus Control Aligns focus and zoom throughout the zoom range

Color System

Subtractive Color Mixing	CMY Glass Flags
Color Mixing Control	CMY 16-bit
Variable CTT	3200 to 7200 K
EasySwap Color Wheel	7 Colors + Open
Color Mixed Preset	20 user definable color presets
Color Wheel Effects	Split Colors, Color Wheel Spin, and Shake

Imaging

Beam Softening	VARI*Frost
Framing Shutters	4 Blade - 2 Plane +/-90° rotation
Iris	16 leaf iris open to 80% closing, Iris pulse effect

Electrical

Output Power Consumption	820 W
Power Connection	TrueOne Compatible - In / Thru Power cable not included - input connector only
Input Voltage	100-240 VAC, 50 / 60 Hz
Supported Protocols	DMX (RDM), ArtNet
5 - PIN XLR Input & Thru, RJ45 Input	DMX Modes

Data

16-Bit	40 Channels
--------	-------------

Noise Level / Fan Control (Base Level 22.6 dB)

Standard Mode	45.7 dB
Studio Mode	40.7 dB
Whisper Mode	34.7 dB
Silent Mode	25.2 dB
Fan Mode	Continuous (On) / Auto Ramping
Fan Level Preset	Standard / Studio / Silent* (*UI Only)
Cooling System Type	Forced Air

Movement

Pan Angle	540°
Pan Speed	4.2s
Tilt Angle	270°
Tilt Speed	2.5s
Calibration System	V*Track Calibration Move to home fast calibration

Mounting

Hanging Centers	600 mm (24.0 in)
Fixture mounting/Hanging orientation	Hanging - Floor - Side Side hang mode
Secondary Safety Wire Point	1 x Safety point located on underside of upper enclosure Safety Wire not included

Certification and Safety

Approbations	CE, ETL, UL, FCC CSA, RoHS, ISO 9001
IP Rating	IP20

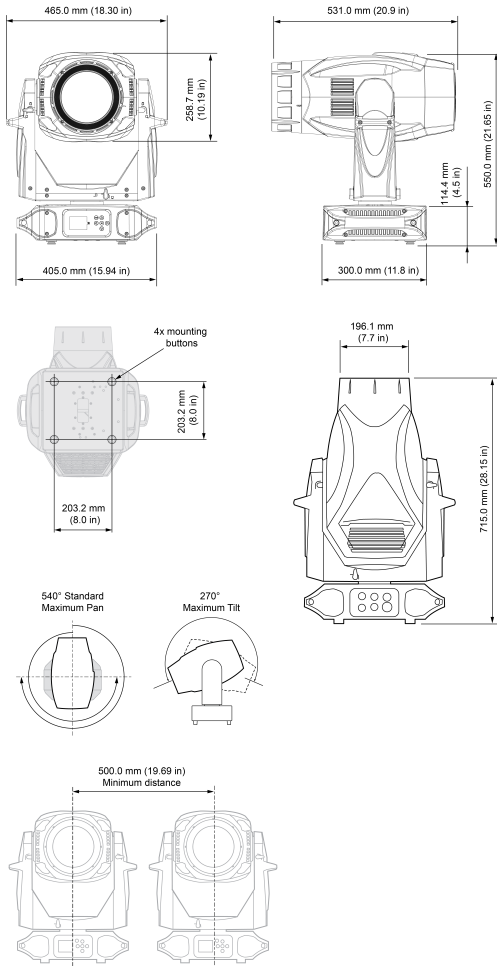
Photometrics and IES Files

6° Beam @ 5m / 16.4 ft	49,058 lux (4,558 fc)
6° Beam @ 10 m / 32.8 ft	12,264 lux (1,139 fc)
48° Beam @ 5 m / 16.4 ft	1,385 lux (129 fc)
48° Beam @ 10 m / 32.8 ft	346 lux (32 fc)

For IES files and photometric reports, please refer to the product page:

www.vari-lite.com/global/products/vl1600-profile

Dimensions



Physical

Construction	Metal frame, Plastic covers
Standard Finish	Black, White
Dimensions	300 x 464 x 715 mm (12.0 x 18.0 x 29.0 in)
Fixture Weight	32.0 kg (71.0 lb)

Gobo and Animation Wheels

Gobo Wheel 1	7 + Open
Gobo Diameter / Thickness	Interchangeable 27 mm x 1.1 mm
Image Size	20 mm
VL*FX Animation	4 + Open
Gobo Wheel/VL*FX Features	MegaStep, Twist, Shake, Wheel Spin

Luminaire and Accessories

Product type	Order Code
VL1600 PROFILE, Black 600W Bichromatic Light Engine , c/w 2 x VL Rails and power input connector, Black	74816-001
VL1600 PROFILE, White 600W Bichromatic Light Engine , c/w 2 x VL Rails and power input connector, White	74816-002
Accessories	
VL1600, Gobo carrier - no magnet	443581625257
VL1600, Gobo carrier - with magnet	443581625258
VL1600, EasySwap Color - carrier	443581625229
VL GT Truss hook rail per rail (Fits VL4000,VL6000,VL2600, VLZ, and VL10)	22.9708.0835



© 2022 Signify Holding. All rights reserved. All trademarks are owned by Signify Holding or their respective owners. The information provided herein is subject to change, without notice. Signify does not give any representation or warranty as to the accuracy or completeness of the information included herein and shall not be liable for any action in reliance thereon. The information presented in this document is not intended as any commercial offer and does not form part of any quotation or contract, unless otherwise agreed by Signify. Data subject to change.