



Type(s)
Project
Date
Notes

OVERVIEW

Fixture Overview

With its punchy, rig-defining aerals, Talen adds visual excitement and bigger looks to any show. The compact fixture’s high intensity beams are created with full additive color RGBW emitters and a large front aperture, resulting in an extremely narrow 3° beam with high center beam candlepower. With infinite pan and tilt movement, Talen moves beyond position limitations. Talen’s footprint is small enough to fit anywhere in a lighting rig, and it can also be rigged in multiform, creative hanging positions with the Talen Array Hinge. Fixtures can be easily configured and addressed through the ETC Set Light app.

Applications

- Large scale nightclubs
- Touring and live music venues
- Theme parks and cruise ships
- Houses of worship
- Retail applications

Product Features

- Additive color mixing with Red, Green, Blue, and White emitters
- 60 W LED with an ultra-small light emitting surface for extreme narrow output and high center beam output
- Custom 120 mm Total Internal Reflection (TIR) optic
- 3° beam with high center beam candlepower
- Infinite pan and tilt
- Whisper Home calibration with patented absolute encoding
- Fixture configuration and addressing via the ETC Set Light app over Bluetooth®
- Unique rigging opportunities through the Talen Array Hinge

ORDERING INFORMATION

Talen

Model/ Part Number	Description
TLN-F 2592A1000	Talen fixture, black in foam packaging, boxed

Color Options: Fixtures ship standard in black. White available by request.
Included Accessories: Fixture includes one (1) Omega bracket, one (1) fixture power cord, and one (1) safety cable.

Accessories

Model/ Part Number	Description
TLN-HINGE 2592K1001	Talen Array Hinge Kit for array rigging
TLN-CBLKIT 2592K1002	Talen Hinge Cabling Kit for fixture-to-fixture power connection
TLN-RIGPLT 2592K1003	Talen Rigging Plate for additional rigging options on 12 in x 12 in box truss.
2560B7005	Fixture Power Cord upgrade, Stage Pin to powerCON® TRUE1®, 20 A
2560B7006	Fixture Power Cord upgrade, L6-20 to powerCON TRUE1, 20 A
2560B7007	Fixture Power Cord upgrade, L5-20 to powerCON TRUE1, 20 A
55040014	Cheeseborough 2" Alloy 1/2 Coupler Truss Clamp
67040010	Mini-Claw™



PRODUCT SPECIFICATIONS

Source

Engine	Osram® RGBW LED
LED Details	60 W
Max Field Lumens	1,400 lumens
Integrating Sphere Lumens	1,564 lumens
LPW	24
LED Life	50,000 hours

Color

Color Mixing	Red, Green, Blue, White
--------------	-------------------------

Optical

Beam Angle	3°
Center Lux @ 3 m	27,000 lux
Aperture Size	120 mm
Flicker Control/Hz Range	24 kHz

Control

Input Method	DMX (5-pin)
Protocols	DMX via RS-485
Modes (Footprint)	One (13)
RDM Functions	Yes
UI Type	Configurable via the ETC Set Light app over Bluetooth
Local Control	No
Dimming Performance	8-bit, with RDM settable internal smoothing

Electrical

Voltage Range	100-240 V, 50-60 Hz
Input Method	TRUE1-compatible locking connector
Wattage (Max)	118 W
Current (Max)	1.2 A @ 100 V
Inrush (First Half Cycle)	120 V: 21.6 A 230 V: 24.2 A
Fixtures per Circuit on Standard R20 Breaker	11 (link up to 12 fixtures via Power Thru connector) Note: Connector rated for 15 A (120 V / 60 Hz) and 15 A (240 V / 50 Hz)

Thermal

Ambient Operating Temp	-10°C to 40°C (14°F to 104°F)
Fan Mode	Standard fan mode

Physical

Pan and Tilt Range	Infinite pan and tilt with Whisper Home technology and absolute encoded positioning
Max Pan/Tilt Speed	360° in 1.49 s / 180° in 0.58 s
Materials	Steel and aluminum frame with molded plastic covers
Color Options	Black, white by request
Mounting Options	Any orientation
IP Rating	IP20
Weight	6 kg (13.2 lb)
Included Accessories	TRUE1-compatible locking connector to 5-15 Edison tail One (1) clamp brackets Safety cable

Warranty

Fixture Warranty	Five (5) year for light engine Two (2) year for complete fixture
Warranty Details	etcconnect.com/Support/Warranty.aspx

Regulatory & Compliance

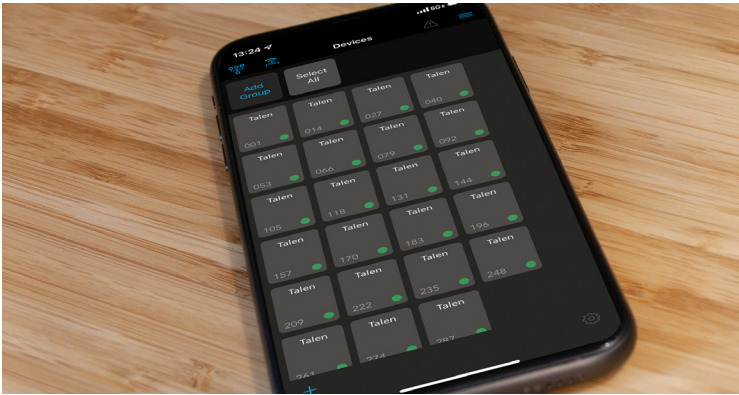
Regulatory Standards	Listed to UL 1573 Certified to CSA STD. C22.2 No: 166 FCC Class A EAC
CE compliance declared to these standards	Safety: EN 60598-1, EN 60598-2-17, EN 62031, EN 62471 EMC: EN 55015, EN 61547, EN 61000-3-2, EN 61000-3-3
Complies to the RoHS directive	Yes

Safety

Safety	Minimum distance to illuminated surface = 1.0 m (3.3 ft) Minimum distance from fixture head to combustible materials = 0.1 m (0.33 ft)
--------	---

Notes: All LED sources experience some lessening of light output and some color shift over time. LED output will vary with thermal conditions. Thermal conditions can be affected by ambient temperatures and orientation.

FEATURE DETAILS



Configuration via App

With its straightforward feature set, Talen does not require extensive configuration. You can easily configure Talen using the ETC Set Light app or RDM. The Set Light mobile app allows addressing and configuration of any Talen fixture over Bluetooth, making it simple to configure your fixture from your phone as well as your console.

Download the app from your favorite app store, etcconnect.com, or use this QR Code.



Compact Yet Full Of Impact

With a small overall design, Talen provides bright and punchy aerals. Its modest footprint allows placement anywhere, fitting seamlessly between other fixtures or hung in groups. Because it doesn't take up much space in the rig, Talen can go places many other lights won't.



Talen Array Hinge

Available as an accessory, the Talen Array Hinge facilitates hanging groups of Talen fixtures in tight clusters for unique design elements. Lighting crews can easily reconfigure arrays to quickly transform a Talen rig into a new shape for each show. Along with the fixture's infinite pan and tilt capabilities, the Array Hinge gives total flexibility for classic ACL looks and beyond.

PHOTOMETRIC DATA

Talen - 100% RGBW

	Degree	Candela	Field Lumens	Power Usage	Lumens Per Watt
Beam	3°	302,100	1,400	60 W	24

Narrow - 3° Beam @ 100% RGBW

	10.0 ft 3.0 m	20.0 ft 6.1 m	30.0 ft 9.1 m	50.0 ft 15.2 m	200.0 ft 61.0 m
Throw Distance	10.0 ft 3.0 m	20.0 ft 6.1 m	30.0 ft 9.1 m	50.0 ft 15.2 m	200.0 ft 61.0 m
Field Diameter	0.5 ft 0.16 m	1.0 ft 0.32 m	1.6 ft 0.48 m	2.6 ft 0.8 m	10.5 ft 3.2 m
Illuminance (fc)	3,021	756	336	121	8
Illuminance (lux)	32,500	8,125	3,611	1,300	81

To determine center beam illumination in footcandles at any throw distance, divide candela by the throw distance squared.

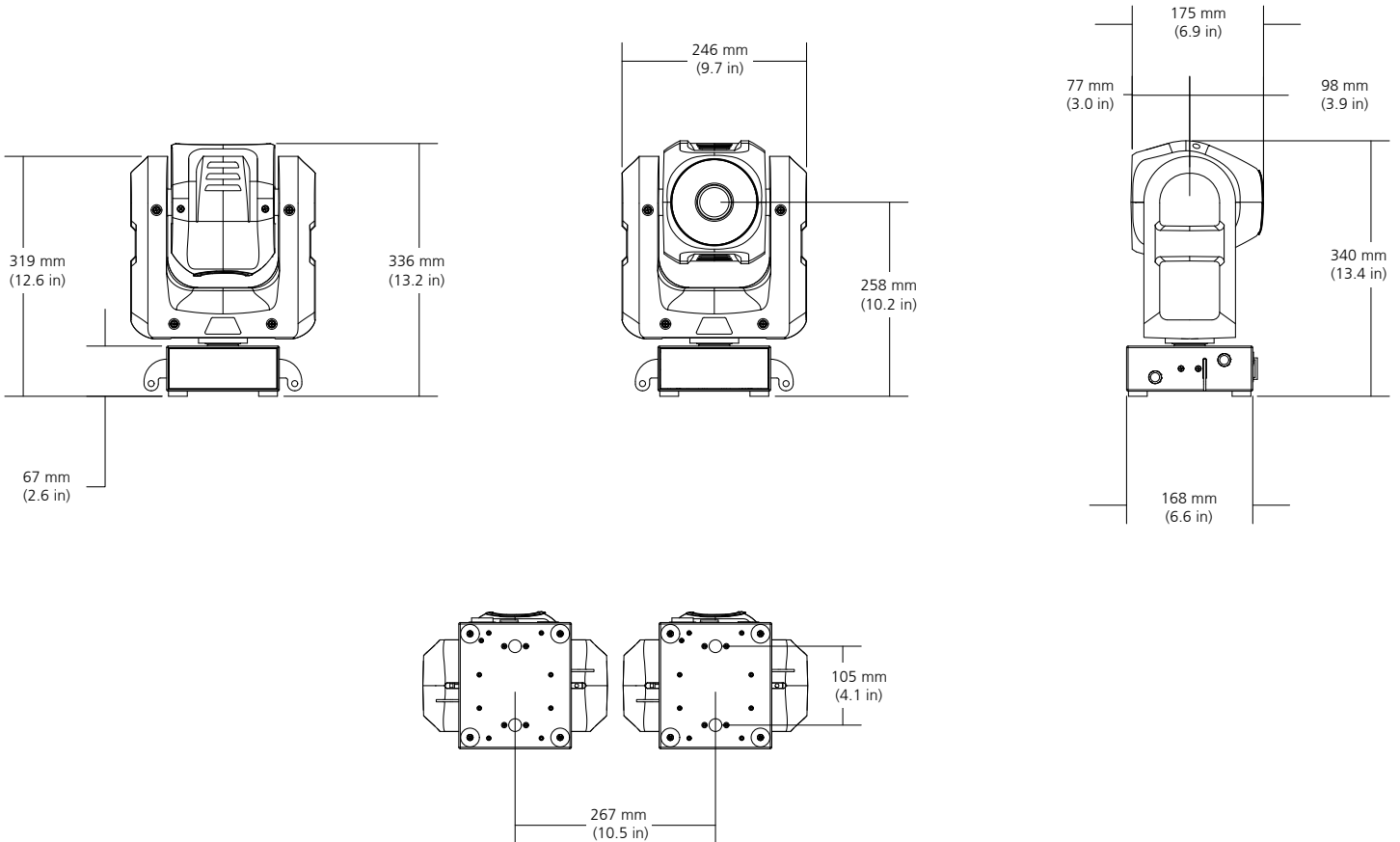
Metric conversions: For meters, multiply feet by 0.3048.
For lux, multiply footcandles by 10.76.

PHYSICAL INFORMATION

Talen Dimensions

Model	Height		Width		Depth		Weight**	
	in	mm	in	mm	in	mm	lb	kg
Talen	13.4	340	9.7	246	6.9	175	13.2	6
Talen with Foam Packaging	9.3	236	16.6	422	12.3	312	14.5	7.6

**Does not include mounting hardware



Power Table

VAC	Amps	Hz	Watts	VA	PF
100	1.20	50	118	119	0.99
120	0.97	60	116	117	0.99
200	0.57	50	111	116	0.97
208	0.57	60	114	118	0.97
220	0.54	50	114	117	0.96
230	0.51	50	113	117	0.96
240	0.50	60	113	118	0.95



Corporate Headquarters • Middleton, WI USA
 Global Offices • London, UK • Rome, IT • Holzkirchen, DE • Paris, FR • Hong Kong
 Dubai, UAE • Singapore • New York, NY • Orlando, FL • Los Angeles, CA • Austin, TX
 Copyright©2022 ETC. All Rights Reserved. All product information and specifications subject to change. Rev A 2022-04
 *Trademark and patent info: etcconnect.com/IE