



Specifications:

HP82-EZ-WH & HP82-EZ-BK

Mounting hardware included

System Type	8.0" Coax, open-ceiling, high SPL, ported (64 Watt transformer for 25/70.7/100 Volt or voice coil direct)	
Impedance (nominal) ¹	16 ohm	
Sensitivity dB @ 2.83 V/1 m	89.0 dB	
Sensitivity dB @ 1W/4 m	80.4 dB	
Sensitivity dB @ 1 W/1 m ²	92.0 dB	
Frequency Response (- 3 dB) ³	110 Hz - 22 kHz	
Frequency Response (- 10 dB) ³	80 Hz - 22 kHz	
Max. Program Power ⁴	128 W	
Max. Continuous Power RMS ⁵	64 W	
Max. Power SPL @ 1 m ⁶	110.0 dB	
Max. Power SPL @ 4 m	97.9 dB	
Coverage Angle Horizontal @-6dB 500Hz	156°	
	1Khz	98°
	2Khz	96°
	4Khz	81°
Coverage Angle Vertical @-6dB 500Hz	154°	
	1Khz	99°
	2Khz	88°
	4Khz	82°
Tap Selector	6 Position rotary switch with transformer bypass	
Transducer - Low Frequency Driver	203 mm (8.0 in.) Polypropylene cone, butyl rubber surround	
Transducer- High Frequency Driver	19mm (0.75in) Silk dome with Beam Ring™	
Low Frequency Voice Coil	38 mm (1.50 in)	
Crossover Frequency	2.5 kHz	
Network Type: Low Pass	6dB per octave, 1st order	
Network Type: High Pass	6dB per octave, 1st order	
Enclosure Material	Injection molded ABS, glass fiber reinforced	
Grille	Powder coated aluminum	
Inputs	4 position ceramic terminal connector	
Colors	Black or white (paintable)	
Height	327.7 mm (12.9 in.)	
Diameter	325.9 mm (12.83 in.)	
Weight	6.35 kg (14 lbs.)	
Shipping Weight	7.5 kg (16.5 lbs.)	
Packaging	One per box	
Included Accessories	Hanging hardware, weather plug, cover plate	
Optional Accessories	N/A	
Regulatory - UL	UL 1480 UEAY & UL 2239 Listed	
Regulatory - CE	Approved	
RoHS	Approved	
	Transformer Taps	

1 Impedance listed per IEC 60268-5

2 1 W 1 m sensitivity determined using nominal impedance

3 Frequency response measured in half or full space as dictated by speaker mounting configuration

4 Max program power is 3 dB above max continuous power

5 Continuous power rating, EIA-426-B test

6 Max output based on max continuous power

70.7 V Output	100 V Output	25 V Output
64 W 111.0 dB 78Ω	64 W 111.0 dB 156Ω	8 W 102.0 dB 78Ω
32 W 108.0 dB 156Ω	32 W 108.0 dB 313Ω	4 W 99.0 dB 156Ω
16 W 105.0 dB 313Ω	16 W 105.0 dB 625Ω	2 W 96.0 dB 313Ω
8 W 102.0 dB 625Ω	8 W 102.0 dB 1300Ω	1 W 93.0 dB 625Ω
4 W 99.0 dB 1300Ω		0.5 W 90.0 dB 1300Ω

The specifications data was measured in an anechoic chamber, according to EN 54-24.
 Reference axis: Axis is on the center of speaker grille and perpendicular to the speaker grille.
 Reference plane: Plane is on the speaker grille and perpendicular to the reference axis.
 Horizontal plane: Plane is containing the reference axis and perpendicular to the reference plane.

Key Features

- One 8.0 inch (203 mm) high power coaxial driver with BroadBeamHP Ring™ technology for high frequency dispersion.
- Weatherized components for indoor and outdoor applications.
- Includes hanging hardware with galvanized steel cables and hanging bracket for fast, easy and secure installation. Unit may be hung or mounted direct-to-conduit via locking cover plate.
- Enclosure constructed of injection molded ABS with glass fiber reinforcement for lasting durability in indoor or outdoor applications.
- Easy access six-position rotary switch for 25-, 70.7- and 100-volt applications with transformer bypass position.
- Aluminum grille with protective powder-coated finish.
- Built-in thermal fuse.
- Unit ships in eco-friendly, recyclable packaging.
- UL 1480 UEAY planned, UL 2239 approved.
- High-quality black or white paint finish. Speaker is paintable.
- Included accessories: hanging hardware, weather plug, cover plate.

Description

The HP82-EZ is a 8.0-inch, coaxial speaker designed for open-ceiling applications. Hanging hardware is included and features built in hanging bracket and screw on cover plate for fast, easy and secure installation. The unit may be mounted direct-to-conduit via the locking cover plate (see installation instructions for additional information). The HP82-EZ speaker incorporates 4 position ceramic terminal block input connector and a 6 position tap switch with transformer bypass position.

Applications

Designed for superior off-axis performance and easy installation, the HP82-EZ offers attractive styling in an economical speakers for open-ceiling uses. The HP82-EZ includes hanging cables and a built in mounting plate for suspending the speaker and a threaded opening on top of it's cover plate for direct-to-conduit mounting. Cost-effective engineering with high-performance



sound makes the HP82-EZ speaker ideal for music and paging applications in retail, grocery stores, restaurants, hotels, casinos, museums, trade shows and conference rooms. For applications where additional bass is required, SoundTube's RS1001i-II-T 10-inch subwoofer may be used.

Patented SoundTube Technologies

SoundTube Entertainment and MSE Audio Group constantly develop new technologies that enhance audio product performance. SoundTube Entertainment innovations are protected by multiple U.S. and international patents, which explicitly cover SoundTube dispersion, enclosure and dome technologies. MSE Audio Group actively defends its patents in order to protect SoundTube resellers and end users.

Technical Data and Specification Tools

Technical Data

SoundTube Entertainment strives to provide complete and effective technical information and data to dealers, engineers and designers. All data are available from SoundTube Entertainment or at www.soundtube.com.

Technical data and downloads include:

EASE™ data – 3-D polar plots.

EASE™ Address – 2-D modeling for distributed systems

Autodesk® Revit® software

Tech Sheets – Technical information and architectural specs for system engineers

SoundTubeSPEC™ – Proprietary speaker placement software

Data Acquisition and Verification

All data for SoundTube speakers are independently collected from and verified by NWAALabs (www.nwaalabs.com) using their proprietary MACH testing system. All data are collected and analyzed according to ASTM, ISO and AES standards using EASRA, TEF and MLSSA. Full balloon data including both phase and magnitude are compiled into a variety of formats including EASE 4.x,

GLL and CLF.

Architectural Specifications

The loudspeaker shall consist of one 203 mm (8.0 in.) low frequency driver and one 19 mm (0.75 in.) high frequency driver. The low frequency voice coil diameter shall be 38.0 mm (1.50 in.).

Performance specifications of a typical production unit shall be as follows: Useable frequency response shall extend from 80 Hz – 22 kHz (-10 dB). Measured sensitivity (2.83-volt input, 1 meter) shall be at least 89.0 dB. The speaker shall have a nominal impedance of 16 ohms. The speaker shall be available for 25-, 70.7- and 100-volt modes and shall include a six-position tap switch with a transformer bypass position. Rated power capacity shall be at least 64 watts continuous (RMS) and conform to EIA-426-B testing. Maximum continuous output at 1 meter shall be 110.0 dB.

The low frequency transducer shall have a polypropylene cone with a butyl rubber surround. The high frequency transducer shall have a silk dome tweeter with BroadBeam Ring™ technology.

Installation shall be by galvanized steel cable attached to the speaker chassis via fixed cable end that interlocks with integrated mounting bracket. The external wiring input connector shall be a four-position ceramic terminal block for low impedance or distributed systems and shall accept from 10 – 22-gauge wire. The system shall be for indoor and outdoor applications and shall have a weather-resistant plug protecting all wire connectors inside the cover plate.

The enclosure shall be constructed of injection-molded ABS. The grille shall be constructed of powder-coated aluminum for lasting performance in the elements. Overall cabinet dimensions shall be no more than 327.7 mm (12.9 in.) in height by 325.9 mm (12.83 in.) in diameter. The unit shall weigh no more than 6.35 kg (14.0 lbs.) and shall include hanging hardware and weather-resistant cover plate plug.

The system shall be the SoundTube HP82-EZ with hanging hardware for both low- and high-impedance applications.

SoundTube Entertainment

6430 Business Park Loop Road

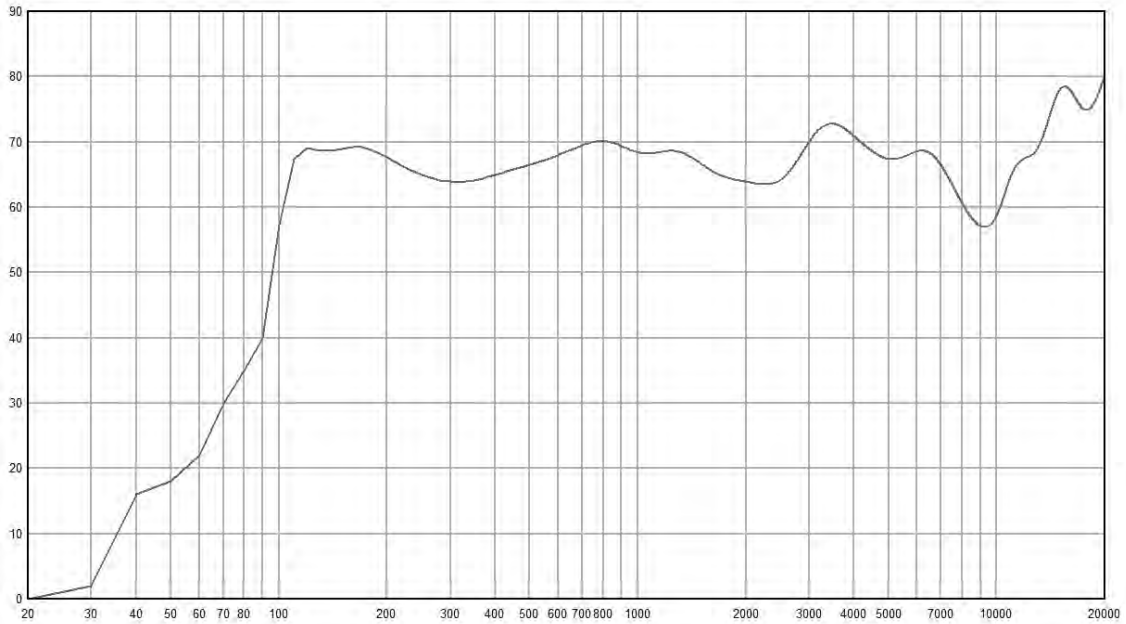
Park City, Utah 84098
Phone 435.647.9555
Fax 435.647.9666
Toll Free 800.647.TUBE
www.soundtube.com

All SoundTube products come with a 5-year limited warranty.



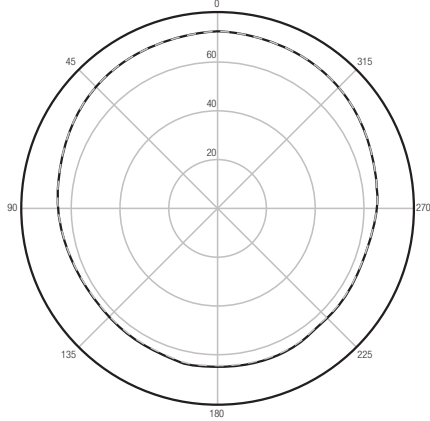
Graphs and Plots

Frequency Response 1W @4m

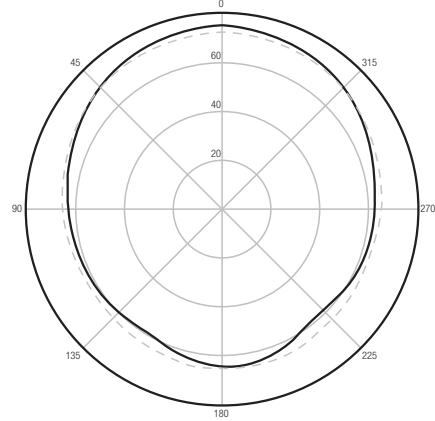


Polar Plots 1W @4m

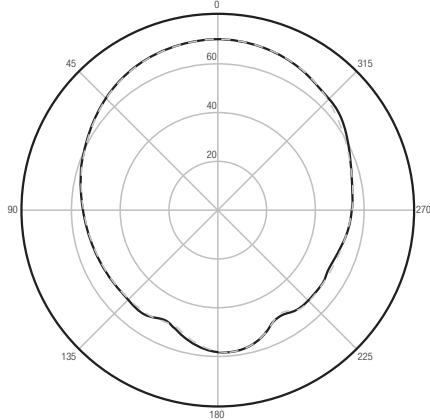
500 Hz



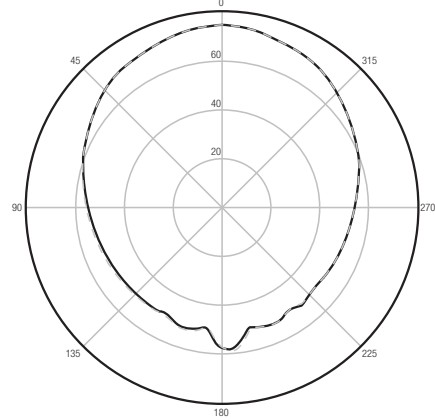
1000 Hz



2,000 Hz



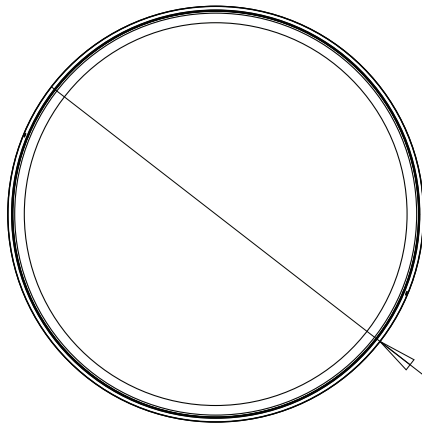
4,000 Hz



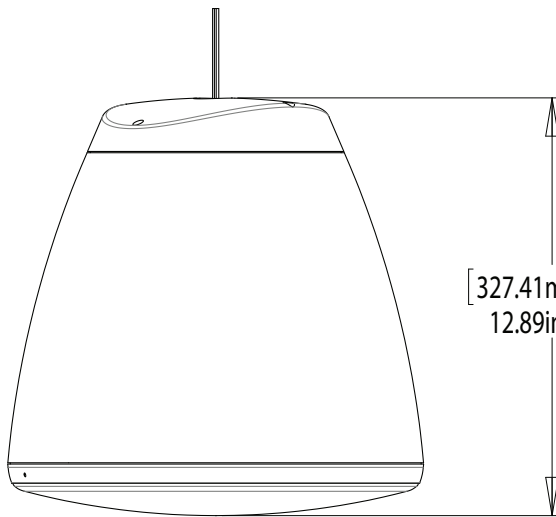
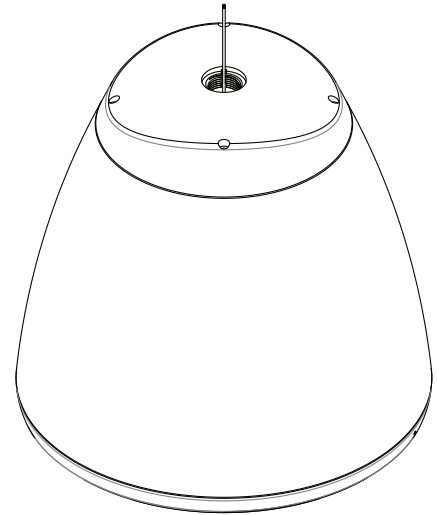
—— Horizontal
- - - - Vertical



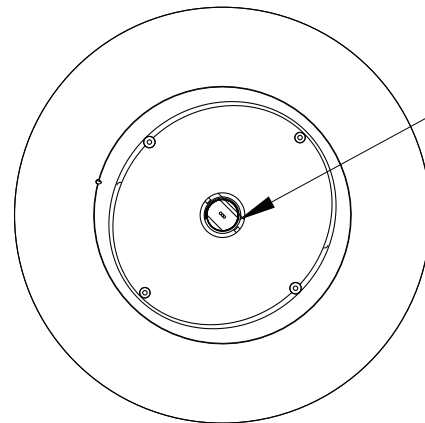
Mechanical Drawings



[325.48mm]
Ø 12.81in



[327.41mm]
12.89in



3/4" NPT