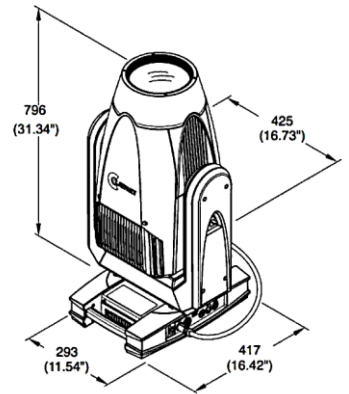
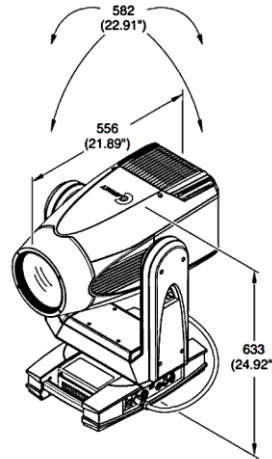


MODEL: SINFONYA PROFILE 600 / EX

CODE: CL3018

September 30, 2025



LIGHT SOURCE:

- Source type:** • LED RGBAL
- Power:** • 600W
- Color temperature:** • 2500 to 10000K
- CRI:** • Up to 95
- LED life expectancy:** • 40.000 Hrs L70*

* It may vary depending on various factors, such as the type of use and environment

PHOTOMETRIC DATA:

- Zoom range:** • 5 – 60°
- Lm output:** • 12.050 Lm (integrating sphere)
- Front lens:** • Ø 165 mm
- Optical syst.:** • 14 high efficiency lenses

NOISE LEVEL:

- Controlled by:** • Able to control linearly the speed of the fans
- Fixed presets:** • 27 / 30 / 35 dBA
- Fanless mod.:** • With reduced output

CONTROL & CONNECTIONS:

- Personalities:** • 3 modes with 58 / 49 / 43 control channels
- Protocols:** • DMX, Art-Net, sACN, RDM
• CRMX (Lumen Radio) (Optional)
- Connectors:** • Locking 5 pin XLR IN/OUT
• RJ45 IN
- Power con.:** • PowerCon True1 IN/OUT

- Web server:** • Built-in
- CloudIO:** • Fully compatible
• On-field calibration for color consistency

DYNAMIC EFFECTS:

- Colors:** • RGBAL control
• Virtual CTO
• Digital color filters
• ± green correction
• Adjustable CR
- Framing Systems:** • 4 blades with ± 45° rotation of the full system, 2 focal planes
• "Total Curtain" effect allowing the full blackout with each single blade
- Gobos:** • 1 rotating gobo wheels with 6 HD Indexable and replaceable gobos
• Ext Diam. 32.8 mm
• Image diam. 23 mm
• Thickness 1.1 mm
- Frost:** • Light frost 1° for soft diffusion (Interchangeable)
• Heavy frost 5° for wash effect (Fixed)
- Rotating effects:** • 1 aluminium animation wheel with continuous rotation in both direction at variable speed - XY movement
• 1 four-facet prism with rotation in both directions at variable speed
- Iris:** • 16 blades motorized with variable pulse and random effects
- Movement:** • Tilt: 270° - 16bit
• Pan: 540° - 16bit
• Accuracy: Resolution ±0.06° (± 0° 3' 36")
Range 0.12° (0° 7' 12")

- Absolute position
- Automatic repositioning
- Mechanical Pan/Tilt lock for safe transportation and maintenance

- Beam:**
- Motorized zoom and focus
 - Autofocus

- Dimmer / Shutter:**
- High resolution electronic dimmer - 24 bit, 4 curves
 - High speed electronic shutter and strobe

HARDWARE & SOFTWARE:

- Long life self-charging battery
- Display graphic LCD backlit B/W display
- Firmware upload from another fixture
- Firmware upgrade via Web Server
- Diagnostic
- DMX monitoring
- Remote access through RDM

HOUSING:

- Aluminium and steel structure with plastic covers
- Two side handles for transportation
- IP20 protection rate
- Working in any position
- Hanging system: with fast-lock Omega clamps (1/4) turn on the base
- Optional safety chain

ELECTRICAL:

- Operating voltage:** • 100-120 / 200-240V, 50/60 Hz
- Power Supply:** • Electronic auto range with active PFC
- MAX Power consumption:** • 770 W

THERMAL SPECIFICATION:

- MAX Ambient temperature:** • 40°C (104°F)
- Min Ambient Temperature:** • -20°C (-4°F)
- MAX temp. of the ext. surface:** • 40°C (104°F)
- Total heat dissipation:** • 2220 BTU/hr ±10% / 2340 kJ/hr ±10%

SAFETY SPECIFICATIONS:

- Min. dist. of illum. objs:** • 2 m (6'7")
- Min. dist. from flamm. mat.:** • 0,2 m (8")
- Protections:**
- Thermally protected power supply (overheating and cooling failure)
 - Forced ventilation with axial fans

COMPLIANCE:

CE Marking (in conformity to the following):

- 2014/53/EU - Radio Equipment Directive (RED)
- 2011/65/EU - Restriction of the use of certain hazardous substances (RoHS)
- 2009/125/EC - EcoDesign requirements for Energy-related Products (ErP)

UKCA: Conforms to UK Regulations:

- S.I. 2017 N. 1206
- S.I. 2012 N. 3032
- S.I. 2010 N. 2617

cETLus LISTED:

- UL 1573:2003
- CSA C22.2 N. 166

PACKAGING:

- Green/Total carton box
- Carton box + Foam shell
- Flight case + Foam shell (2 positions)

WEIGHT & SIZES:

- Weight:** • 36,8 Kg (81,1 lbs)
- Base dim.s:** • 425 x 417 mm
• 16,73 x 16,42 in
- Height with vert. head (h):** • 796 mm
• 31,34 in
- Dist. b/t 2 fixt:** • 700 mm

ACCESSORIES:

- Omega bracket:** • 2x183102/805 (Included)
- ETL Power:** • CAB02B-802 (Included)*
* Cord 1.5 m (bare end with IP65 PowerConTrue1 conn.)
- Top hat:** • CA3019000102 (Included)
- Kit LR WDMX** • KIT03J/801 (Optional)
- Handle:** • CA3021000102 (Optional)
- Gel holder:** • CA3022000102 (Optional)
- Frost fil. (10⁰):** • CA30670000102 (Optional)
- Foam shell:** • F21327-001 (Optional)
- Flight case (2 pos):** • CF1012 (Optional)
- Safety Chain:** • 105041-003 (Optional)
- Clamp:** • C21070 (Optional)