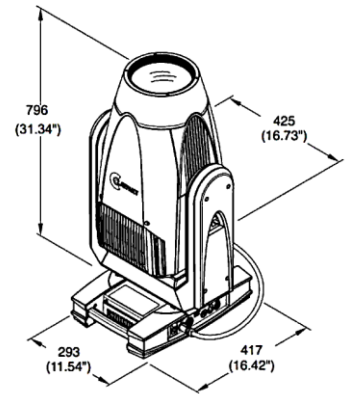
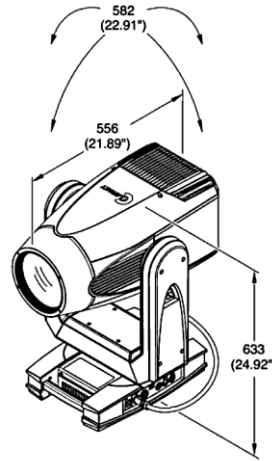


MODEL: SINFONYA PROFILE 600 / EX

CODE: CL3018

September 11, 2024



LIGHT SOURCE:

- Source type:** • LED RGBAL
 - Power:** • 600W
 - Color temperature:** • 2500 to 10000K
 - CRI:** • Up to 95
 - LED life expectancy:** • 40.000 Hrs L70*
- * It may vary depending on various factors, such as the type of use and environment

PHOTOMETRIC DATA:

- Zoom range:** • 5 – 60°
- Lm output:** • 12.050 Lm (integrating sphere)
- Front lens:** • Ø 165 mm
- Optical syst.:** • 14 high efficiency lenses

NOISE LEVEL:

- Controlled by:** • Able to control linearly the speed of the fans
- Fixed presets:** • 27 / 30 / 35 dBA
- Fanless mod.:** • With reduced output

CONTROL & CONNECTIONS:

- Personalities:** • 3 modes with 58 / 49 / 43 control channels
- Protocols:** • DMX, Art-Net, sACN, RDM
• CRMX (Lumen Radio) (Optional)
- Connectors:** • Locking 5 pin XLR IN/OUT
• RJ45 IN
- Power con.:** • PowerCon True1 IN/OUT
- Web server:** • Built-in
- CloudIO:** • Fully compatible
• On-field calibration for color consistency

DYNAMIC EFFECTS:

- Colors:** • RGBAL control
• Virtual CTO
• Digital color filters
• ± green correction
• Adjustable CR
- Framing Systems:** • 4 blades with ± 45° rotation of the full system, 2 focal planes
• "Total Curtain" effect allowing the full blackout with each single blade
- Gobos:** • 1 rotating gobo wheels with 6 HD Indexable and replaceable gobos
• Ext Diam. 32.8 mm
• Image diam. 23 mm
• Thickness 1.1 mm
- Frost:** • Light frost 1° for soft diffusion (Interchangeable)
• Heavy frost 5° for wash effect (Fixed)

- Rotating effects:**
- 1 aluminium animation wheel with continuous rotation in both direction at variable speed - XY movement
 - 1 four-facet prism with rotation in both directions at variable speed
- Iris:**
- 16 blades motorized with variable pulse and random effects
- Movement:**
- Tilt: 270° - 16bit
 - Pan: 540° - 16bit
 - Accuracy: Resolution $\pm 0.06^\circ$ ($\pm 0^\circ 3' 36''$)
Range 0.12° ($0^\circ 7' 12''$)
 - Absolute position
 - Automatic repositioning
 - Mechanical Pan/Tilt lock for safe transportation and maintenance
- Beam:**
- Motorized zoom and focus
 - Autofocus
- Dimmer / Shutter:**
- High resolution electronic dimmer - 24 bit, 4 curves
 - High speed electronic shutter and strobe

HARDWARE & SOFTWARE:

- Long life self-charging battery
- Display graphic LCD backlit B/W display
- Firmware upload from another fixture
- Firmware upgrade via Web Server
- Diagnostic
- DMX monitoring
- Remote access through RDM

HOUSING:

- Aluminium and steel structure with plastic covers
- Two side handles for transportation
- IP20 protection rate
- Working in any position
- Hanging system: with fast-lock Omega clamps (1/4) turn on the base
- Optional safety chain

ELECTRICAL:

- Operating voltage:**
- 100-120 / 200-240V, 50/60 Hz
- Power Supply:**
- Electronic auto range with active PFC
- MAX Power consumption:**
- 770 W

THERMAL SPECIFICATION:

- MAX Ambient temperature:**
- 40°C (104°F)
- Min Ambient Temperature:**
- -20°C (-4°F)
- MAX temp. of the ext. surface:**
- 40°C (104°F)
- Total heat dissipation:**
- 2220 BTU/hr $\pm 10\%$ / 2340 kJ/hr $\pm 10\%$

SAFETY SPECIFICATIONS:

- Min. dist. of illum. objs:**
- 2 m (6'7")
- Min. dist. from flamm. mat.:**
- 0,2 m (8")
- Protections:**
- Thermally protected power supply (overheating and cooling failure)
 - Forced ventilation with axial fans

COMPLIANCE:

CE Marking (in conformity to the following):

- 2014/53/EU - Radio Equipment Directive (RED)
- 2011/65/EU - Restriction of the use of certain hazardous substances (RoHS)
- 2009/125/EC - EcoDesign requirements for Energy-related Products (ErP)

UKCA: Conforms to UK Regulations:

- S.I. 2017 N. 1206
- S.I. 2012 N. 3032
- S.I. 2010 N. 2617

cETLus LISTED:

- UL 1573:2003
- CSA C22.2 N. 166

PACKAGING:

- Green/Total carton box
- Carton box + Foam shell
- Flight case + Foam shell (2 positions)

WEIGHT & SIZES:

- Weight:**
- 36,8 Kg (81,1 lbs)
- Base dim.s:**
- 425 x 417 mm
 - 16,73 x 16,42 in
- Height with vert. head (h):**
- 796 mm
 - 31,34 in
- Dist. b/t 2 fixt:**
- 700 mm

ACCESSORIES:

- Omega bracket:**
- 2x183102/805 (Included)
- ETL Power:**
- CAB02B-802 (Included)*
* Cord 1.5 m (bare end with IP65 PowerConTrue1 conn.)
- Top hat:**
- CA3019000102 (Included)
- Handle:**
- CA3021000102 (Optional)
- Gel holder:**
- CA3022000102 (Optional)
- Frost fil. (10°):**
- CA3020000102 (Optional)
- Foam shell:**
- F21327-001 (Optional)
- Flight case (2 pos):**
- CF1012 (Optional)
- Safety Chain:**
- 105041-003 (Optional)
- Clamp:**
- C21070 (Optional)