

Sapphire™ Room Controller

Customizable lighting, color tuning and scheduling



Description

Sapphire™ Room Controller provides the flexibility of a fully customizable user interface with the convenience of native controls from Leviton's Commercial Systems products. Integrate room controls, including occupancy/vacancy sensing, partial-ON and partial-OFF from one elegant interface. Sapphire Room Control is Leviton's premier touch screen offering occupancy/photocell sensing, full-range automatic dimming, color tuning and daylighting integration. The scheduler feature allows facility and building managers to schedule holidays and daily lighting schedules from the touch screen.

Applications

- Color tuning—0-10V, DMX (requires interface hardware)
- Conference room control
- Building supervisor control panel
- Classroom control
- Executive office control
- Ballroom control
- Anywhere touch-interface is desired

Features

- 7" capacitive LCD touch screen
- Supports Sapphire User Interface (UI) components and commands
- Supports Sapphire Scheduler
- Supports Sapphire Room Controls
- LumaCAN and analog input connectivity
- Analog input supports photocell, occupancy, and momentary/maintained switch
- Secure password protection administration access
- Offline UI configuration through Sapphire Studio PC Tool
- All software is updated through a front-panel USB memory stick
- Available faceplates—White, Light Almond, & Black

Sapphire User Interface Components & Commands

- All UI elements are updated from live network status
- Uses tabs for organization of UI elements into pages
 - Each tab has a custom name
 - Each tab can offer secured access with a PIN
- Buttons
 - Button operating modes
 - Toggle
 - Press/release
 - Preset group
 - Configurable caption
 - All network commands supported
- Sliders
 - Configurable caption
 - Supports only set channel/group level commands
 - Configurable numeric level display
- Network Commands
 - Administrative functions
 - Network setup
 - Log file import/export
 - Configuration update
 - Snapshot record
 - Snapshot edit
 - Set channel and group level
 - Fade stop
 - Fade rate or fade time
 - Raise/lower

Room Controls

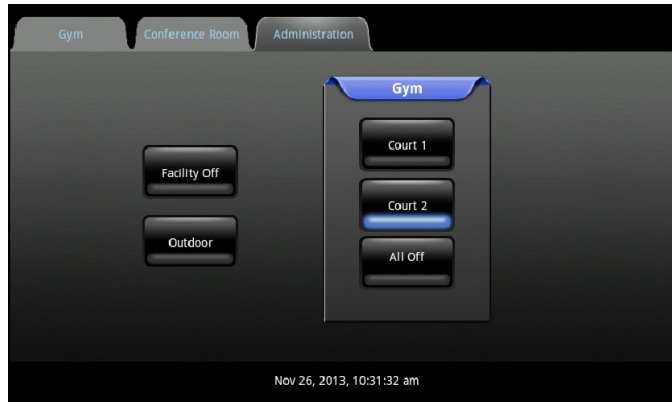
- Room controls run independent of UI
- (2) low voltage/analog inputs for connecting of occupancy sensors, photocells, etc.
- Receives input signals for automatic dimming and daylighting within the space
- Single zone occupancy
- Single zone closed loop daylight harvesting
- 8 unique buttons (may be spread across multiple stations)
- All ON through AI, configurable priority

Scheduler

- Scheduler runs independent of UI
- 7-day scheduler
- (2) custom, user defined holiday exception calendars
- Astronomical time clock
- Special event calendar

Sapphire User Interface Screenshots

Tabs and Buttons



Scheduler—Daily

Daily View Daily View +

May 6, 2016 Weekly

5AM		12PM	
6AM		1PM	
7AM		2PM	
8AM	Lights On	3PM	
9AM		4PM	
10AM		5PM	Lights Off
11AM		6PM	

Tabs, Buttons and Sliders



Scheduler—Event

Schedule Creator ✕ ✓

Event Name
Lights Off

Event Type
Weekly

Offset
None

Time
17:00

Repeat
Every Day

Command

Tabs, Buttons and Sliders



Scheduler—Holiday

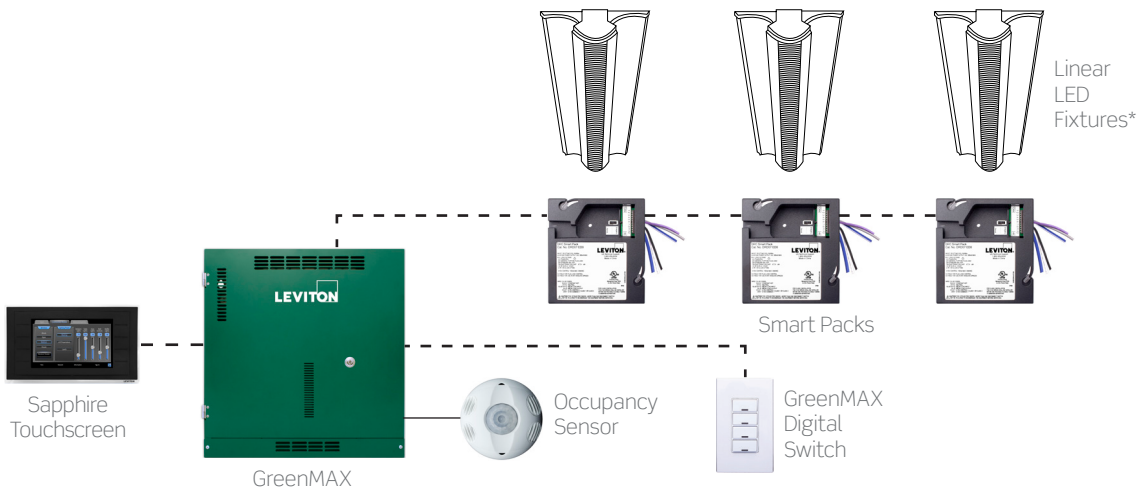
Holiday List HOLIDAY 1 +

December 25

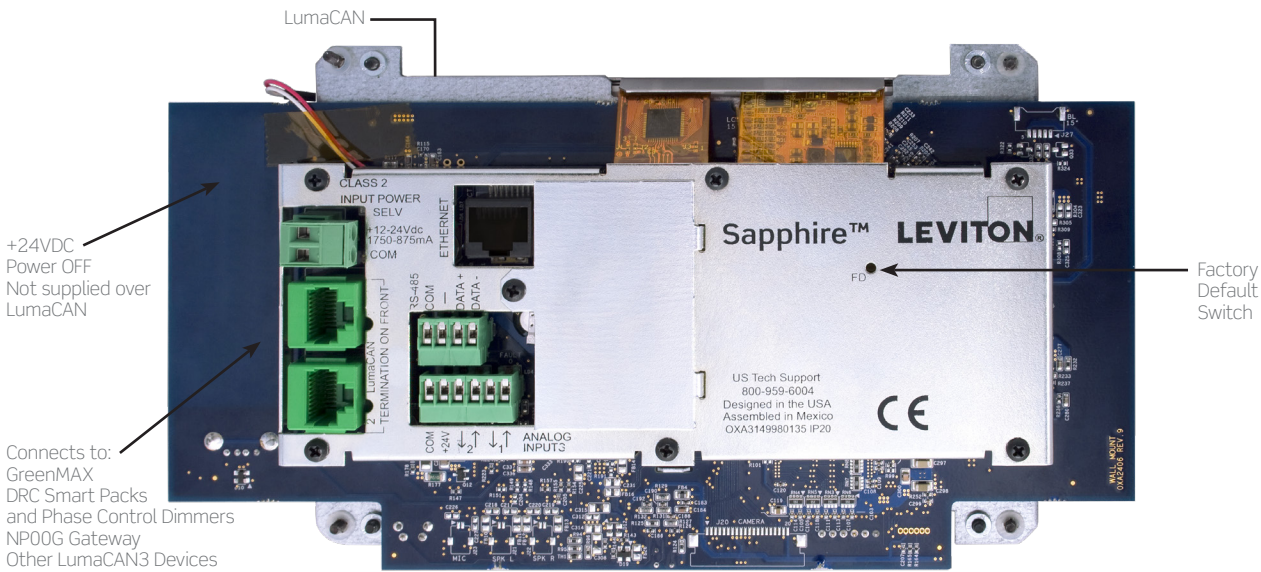
January 1

First Tuesday of April

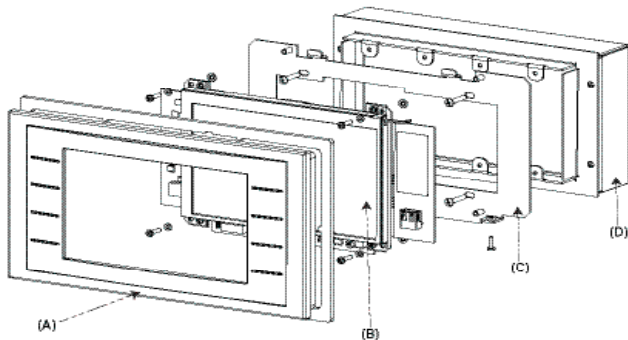
Wiring Diagram



Touch Screen with Connector Annotations—Rear View

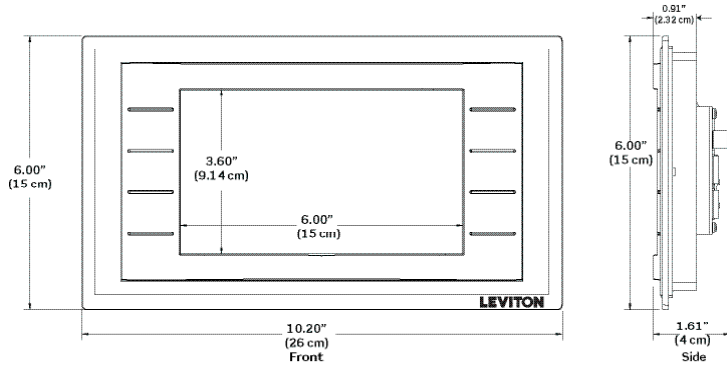


Installation Diagram



A	Face plate with trim ring
B	Touch screen electronics
C	Normalizing installation & mounting
D	4-gang box

Dimensions Diagram



Specifications

LCD Panel	7" (17.78cm) diagonal, 16.9 form factor ; 800x480 WVGA; 130° x 110° viewing angle; LED backlight; 24 bit color
Power Input Voltage	+12-24VDC, Class 2 SELV; current draw: 325mA+connected device to AI, standby current: 200mA;power supply via terminals or LumaCAN network
Environmental	Operating Temperature Range: 14 to 122°F (5 to 50°C) Storage -Temperature: -4 to 158°F (-20 to 70°C) Relative Humidity: 0 to 90° non-condensing
Enclosure	Mounting/installation: 4-gang box with a 4-gang raised device cover preferred, 4-gang low voltage rating acceptable, IP30
Listing	CE, NOM, FCC

Ordering Information

Sapphire Room Controller

Cat. No.	Description
TS007-000	7" Touch Screen, capacitive interface, no faceplate included
TS007-C0E	7" Touch Screen, Color Change Kit, Black Faceplate
TS007-C0T	7" Touch Screen, Color Change Kit, Light Almond Faceplate
TS007C0W	7" Touch Screen, Color Change Kit, White Faceplate
TS007-LCE	7" Touch Screen Locking Cover, Black
BBG04-000	4-Gang Box
WPG04-DR0	4-Gang raised device ring for use with BBG04-000
PST24-I10	+24VDC, 1A, 30W 100-277VAC Input DIN Rail Power Supply. UL, cUL & CE listed, terminals on input and output
DRC00-0D0	In-line Power Supply

Leviton Manufacturing Co., Inc. Lighting & Controls

10385 SW Avery Street, Tualatin, OR 97062 **tel** 800-736-6682 **tech line** (6:00AM-4:00PM PT Mon-Fri) 800-959-6004

Leviton Manufacturing Co., Inc. Global Headquarters

201 North Service Road, Melville, NY 11747-3138 **tel** 800-323-8920 **tech line** (8:00AM-10:00PM ET Mon-Fri, 9:00AM-7:00PM ET Sat, 9:00AM-5:00PM ET Sun) 800-824-3005

Visit our Website at: www.leviton.com/sapphire

©2023 Leviton Manufacturing Co., Inc. All rights reserved. Subject to change without notice.

G-10202C/H23-aa
REV AUG 2023