



# STX4

## F E A T U R E S

- Leading Edge Xenon Technology
- Precision Nickel Electroformed Reflectors specifically coated for continuous high output performance
- Color Temperature constant at 5600° (Kelvin)
- Focusable Beams
- Available in both 2000 and 4000 Watt configurations
- Lampheads feature Rainproof, Molded Fiberglass Casings
- Tempered Glass Lamphead Windows
- Powder Coated Steel Frame
- Fully Assembled (Lampheads, Motion Assembly, Power Supplies) in a Weather Resistant Housing

Models STX4-2000, STX4-4000



### *Creative Application of Xenon Light Technology*

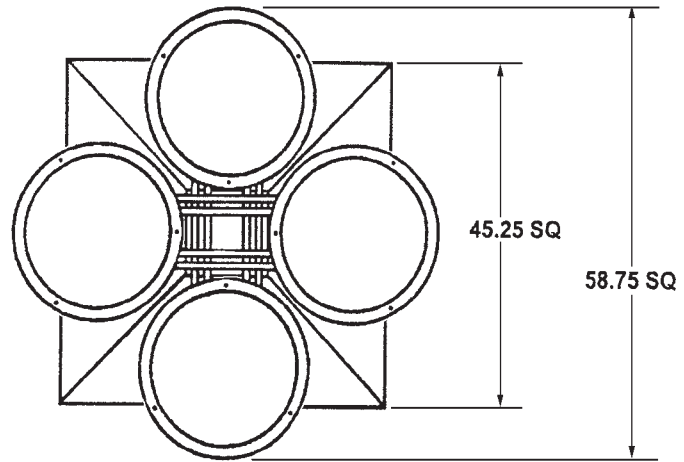
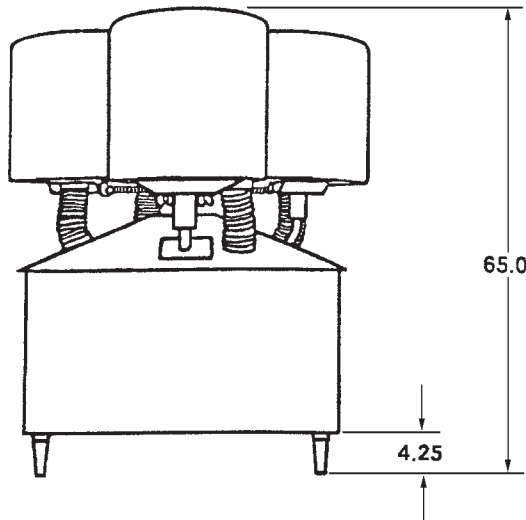
---

SkyTracker STX4's are full motion four-headed searchlights which project four beams that can be seen for miles. It moves in an attention-getting "cloverleaf" pattern enabled by its unique bent shaft design. The sweeping beams not only add motion and excitement to an event or lighting effect, but also pinpoint the location of the event or location.

# STX4

## TECHNICAL SPECIFICATIONS

	2000 WATT	4000 WATT
Beam Candlepower	208 Million (832 Million total)	332 Million (1.3 Billion total)
Overall Dimensions	68" H x 58.75" W x 58.75" L	68" H x 58.75" W x 58.75" L
Total Weight	1080 lb.	1160 lb.
Base Mount Pattern	39.75" x 41.875"	39.75" x 41.875"
Phase	Single	Single
Frequency	50/60 Hz.	50/60 Hz.
System Input Voltage	208/240 V.AC	208/240 V.AC
System Input Current	48 A.	96 A.



Rotation Pattern: Each beam moves in a conical motion around an axis tilted 22.5 degrees from the vertical. Solid angle of the cone is 45 degrees. Four beams synchronized, creating a cloverleaf pattern.