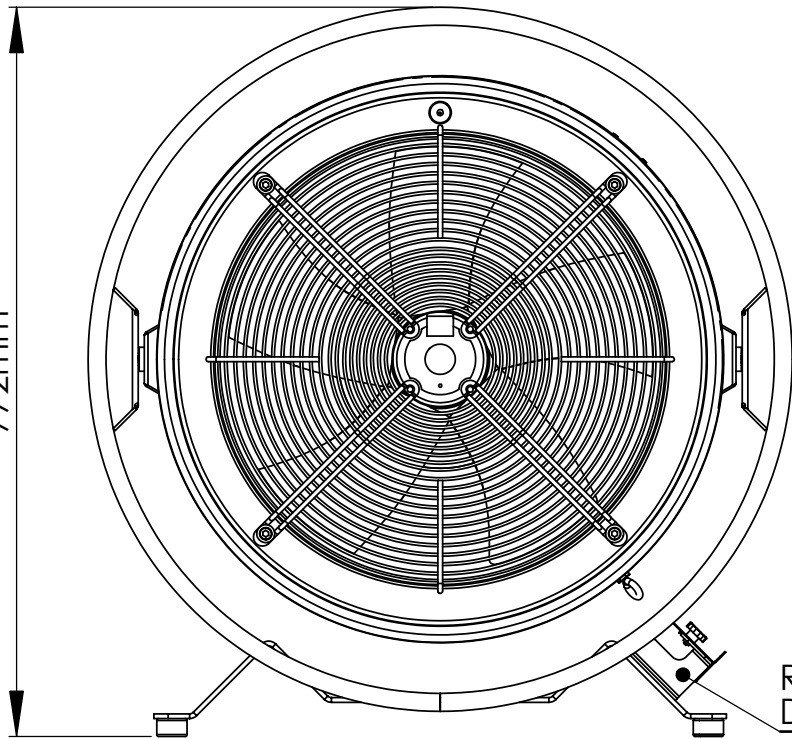
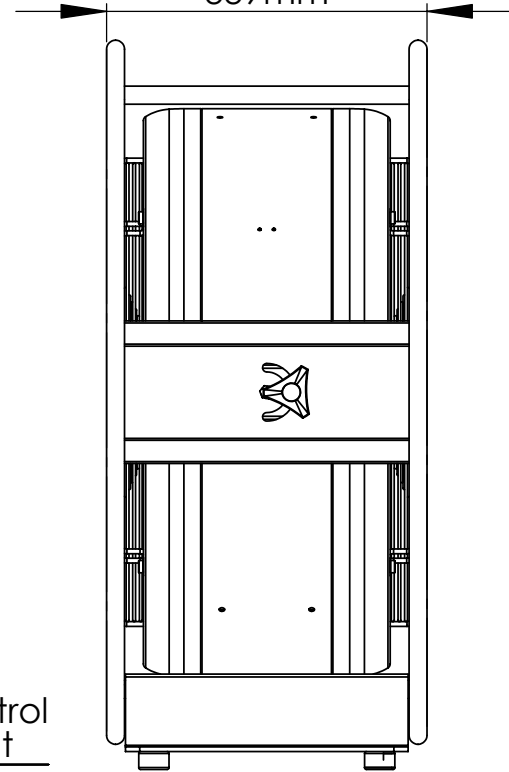


[30.38"]
772mm

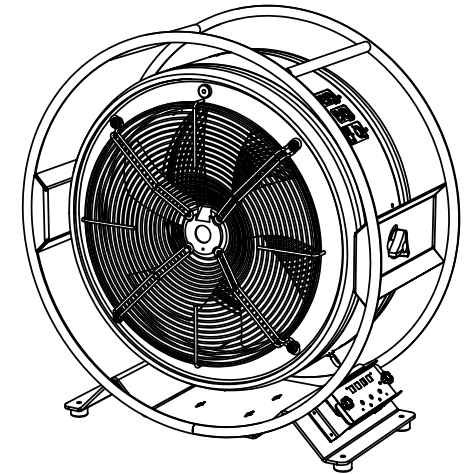
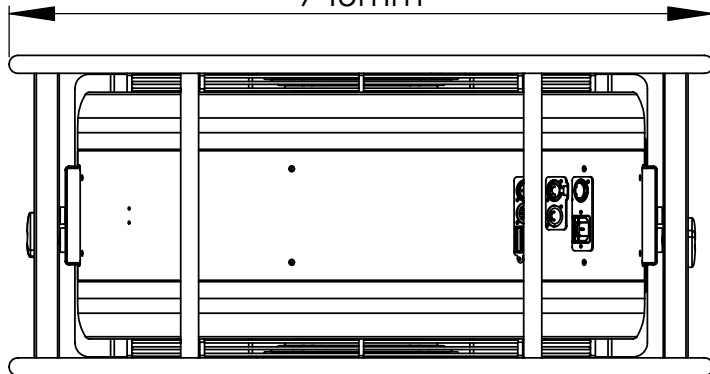


Remote Control
Docking Point

[13.35"]
339mm



[29.33"]
745mm



FIRST ANGLE PROJECTION

Measurement without tolerance -DS2768

M

-C	-	xx/xx-05	-
-B	-	xx/xx-05	-
Rev.		Date	Sign.
Martin		A4	Material -
Product AF-2 Touring Frame		Scale 1:8	Material Item No. -
Description General Dimensions		Date 15/06/05	Sign. M.D.
		Item No. 92620006	