

Models SLX-2000, SLX-4000



# SLX SkyLight

## F E A T U R E S

- Leading Edge Xenon Technology
- Precision Nickel Electroformed Reflector specifically coated for continuous high output performance
- Color Temperature constant at 5600° (Kelvin)
- Focusable Beam
- Available in both 2000 and 4000 Watt configurations
- Lamphead features Rainproof, Welded metal cover
- Tempered Glass Lamphead Window
- Powder Coated Steel Frame
- Fully Assembled in a Weather Resistant Housing ("A" Series, as shown)
- Two-Part Construction for Easy Installation ("B" and "C" Series)  
"B" Series: Plug-In  
"C" Series: Hard Wired



### *Creative Application of Xenon Light Technology*

---

SkyLights are single-beam, fixed searchlights used to project attention-getting beams of light. Lamp positioning can be fixed by means of a dual tilt plate assembly. The system is raintight when operated from a vertical position through a declination angle of 45° in any angle.



# SLX SkyLight

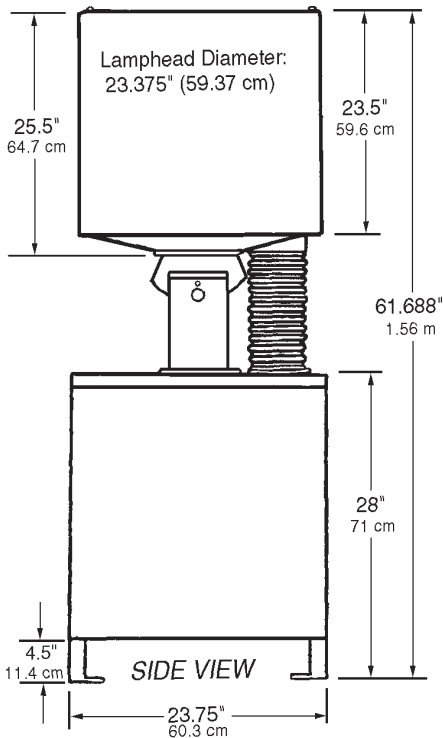
## TECHNICAL SPECIFICATIONS

Voltage Input (Three Phase)  
Current Input  
Peak Beam Candlepower  
Beam Spread (Focusable)  
Mounting Bolt Pattern (Lamphead)  
Color  
Weight

2000 WATT  
208/240 VAC  
12 A.  
208 Million  
.5 - 2 Degrees  
5.75" x 6.5"  
White  
330 lb. (150kg)

4000 WATT  
208/240 VAC  
24 A.  
332 Million  
.5 - 2 Degrees  
5.75" x 6.5"  
White  
345 lb. (156.5kg)

\* other voltages upon request



“A” Series: Lamphead and Power Supply make up one complete unit (illustrated at left)

“B” Series: Functionally the same as the SLX-A with the power supply case separate from the lamphead (see below). Equipped with quick-disconnect plugs and receptacles.

“C” Series: Same as “B” Series except requires hard wiring in place of disconnects.

