



# SBC210LM

## Portable Rechargeable Battery Housing

The Shure portable rechargeable housing, SBC210LM, user guide.  
Version: 0.1 (2022-D)

# Table of Contents

<b>SBC210LM Portable Rechargeable Battery Housing</b>	<b>3</b>	Optional Accessories	7
<b>IMPORTANT SAFETY INSTRUCTIONS</b>	<b>3</b>	<b>Connecting DC Power</b>	<b>7</b>
WARNING	4	<b>Inserting Batteries into the Charging Bay</b>	<b>8</b>
Note:	4	Charge Status LED	8
<b>Information to the user</b>	<b>5</b>	Recovering a Battery from Deep Discharge	8
		Changing the Charger Module	8
<b>SBC210LM Portable Rechargeable Battery Housing</b>	<b>5</b>	<b>Troubleshooting</b>	<b>9</b>
Features	6	<b>Specifications</b>	<b>9</b>
Charger Overview	6	<b>Certifications</b>	<b>10</b>
Batteries	7		
Included Components	7		

# SBC210LM

## Portable Rechargeable Battery Housing

### IMPORTANT SAFETY INSTRUCTIONS


1. READ these instructions.
2. KEEP these instructions.
3. HEED all warnings.
4. FOLLOW all instructions.
5. DO NOT use this apparatus near water.
6. CLEAN ONLY with dry cloth.
7. DO NOT block any ventilation openings. Allow sufficient distances for adequate ventilation and install in accordance with the manufacturer's instructions.
8. DO NOT install near any heat sources such as open flames, radiators, heat registers, stoves, or other apparatus (including amplifiers) that produce heat. Do not place any open flame sources on the product.
9. DO NOT defeat the safety purpose of the polarized or grounding type plug. A polarized plug has two blades with one wider than the other. A grounding type plug has two blades and a third grounding prong. The wider blade or the third prong are provided for your safety. If the provided plug does not fit into your outlet, consult an electrician for replacement of the obsolete outlet.
10. PROTECT the power cord from being walked on or pinched, particularly at plugs, convenience receptacles, and the point where they exit from the apparatus.
11. ONLY USE attachments/accessories specified by the manufacturer.
12. USE only with a cart, stand, tripod, bracket, or table specified by the manufacturer, or sold with the apparatus. When a cart is used, use caution when moving the cart/apparatus combination to avoid injury from tip-over.











13. UNPLUG this apparatus during lightning storms or when unused for long periods of time.
14. REFER all servicing to qualified service personnel. Servicing is required when the apparatus has been damaged in any way, such as power supply cord or plug is damaged, liquid has been spilled or objects have fallen into the apparatus, the apparatus has been exposed to rain or moisture, does not operate normally, or has been dropped.
15. DO NOT expose the apparatus to dripping and splashing. DO NOT put objects filled with liquids, such as vases, on the apparatus.
16. The MAINS plug or an appliance coupler shall remain readily operable.
17. The airborne noise of the Apparatus does not exceed 70dB (A).
18. Apparatus with CLASS I construction shall be connected to a MAINS socket outlet with a protective earthing connection.
19. To reduce the risk of fire or electric shock, do not expose this apparatus to rain or moisture.
20. Do not attempt to modify this product. Doing so could result in personal injury and/or product failure.
21. Operate this product within its specified operating temperature range.



This symbol indicates that dangerous voltage constituting a risk of electric shock is present within this unit.

	This symbol indicates that there are important operating and maintenance instructions in the literature accompanying this unit.
---	---

### Explanation of Symbols

	Caution: risk of electric shock
	Caution: risk of danger (See note.)
	Direct current
	Alternating current
	On (Supply)
	Equipment protected throughout by DOUBLE INSULATION or REINFORCED INSULATION
	Stand-by
	Equipment should not be disposed of in the normal waste stream

## WARNING

- Battery packs may explode or release toxic materials. Risk of fire or burns. Do not open, crush, modify, disassemble, heat above 140°F (60°C), or incinerate.
- Follow instructions from manufacturer
- Only use Shure charger to recharge Shure rechargeable batteries
- **WARNING:** Danger of explosion if battery incorrectly replaced. Replace only with same or equivalent type.
- Never put batteries in mouth. If swallowed, contact your physician or local poison control center
- Do not short circuit; may cause burns or catch fire
- Do not charge or use battery packs other than Shure rechargeable batteries
- Dispose of battery packs properly. Check with local vendor for proper disposal of used battery packs.
- Batteries (battery pack or batteries installed) shall not be exposed to excessive heat such as sunshine, fire or the like
- Do not immerse the battery in liquid such as water, beverages, or other fluids.
- Do not attach or insert battery with polarity reversed.
- Keep away from small children.
- Do not use abnormal batteries.
- Pack the battery securely for transport.

**WARNING:** Danger of explosion if incorrect battery replaced. Operate only with AA batteries.

## Note:

- This equipment is intended to be used in professional audio applications.
- EMC conformance is based on the use of supplied and recommended cable types. The use of other cable types may degrade EMC performance.
- Use this battery charger only with the Shure charging modules and battery packs for which it is designed. Use with other than the specified modules and battery packs may increase the risk of fire or explosion.
- Changes or modifications not expressly approved by Shure Incorporated could void your authority to operate this equipment.
- The rating label is located at the bottom of the enclosure.

Please follow your regional recycling scheme for batteries, packaging, and electronic waste.

---

## Information to the user

This product has been tested and found to comply with the limits for a Class A digital device pursuant to Part 15 of the FCC Rules. These limits are designed to provide reasonable protection against harmful interference when the equipment is operated in a commercial environment. This product generates, uses, and can radiate radio frequency energy and, if not installed and used in accordance with the manufacturer's instruction manual, may cause harmful interference with radio communications. Operation of this product in a residential area is likely to cause harmful interference, in which case you will be required to correct the interference at your own expense.

This device complies with Part 15 of the FCC Rules. Operation is subject to the following two conditions:

1. This device may not cause harmful interference.
2. This device must accept any interference received, including interference that may cause undesired operation.

**Notice:** The FCC regulations provide that changes or modifications not expressly approved by Shure Inc. could void your authority to operate this equipment.

These limits are designed to provide reasonable protection against harmful interference in a non-residential installation. However, there is no guarantee that interference will not occur in a particular installation. If this equipment does cause harmful interference with radio or television reception, which can be determined by turning the equipment off and on, you are encouraged to try to correct the interference by one or more of the following measures:

- Reorient or relocate the antenna of the radio/television receiver.
- Increase the separation between this equipment and the radio/television receiver.
- Plug the equipment into a different outlet so that the equipment and the radio/television receiver are on different power mains branch circuits.
- Consult a representative of Shure or an experienced radio/television technician for additional suggestions.

Changes or modifications not expressly approved by Shure Incorporated could void your authority to operate this equipment.

For information regarding responsible party and other matters relating to FCC compliance, please contact Shure Incorporated, 5800 W. Touhy Avenue, Niles, Illinois 60714-4608 U.S.A. [shure.com/contact](http://shure.com/contact)

This Class A digital apparatus complies with Canadian ICES-003. Cet appareil numérique de la classe A est conforme à la norme NMB-003 du Canada.

**Warning:** This is a Class A product. In a domestic environment this product may cause radio interference in which case the user may be required to take adequate measures.

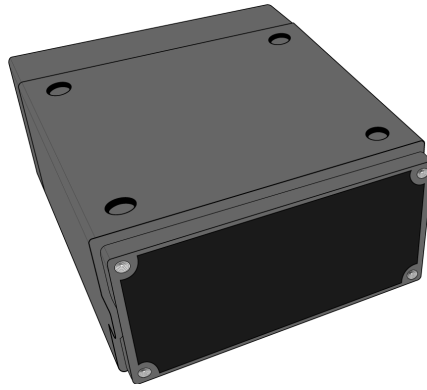
**警告使用者：** 此为A级产品。在生活环境中，该产品可能会造成无线电干扰。在这种情况下，可能需要用户对其干扰采取切实可行的措施。

이 기기는 업무용 환경에서 사용할 목적으로 적합성평가를 받은 기기로서 가정용 환경에서 사용하는 경우 전파간섭의 우려가 있습니다.

---

## SBC210LM Portable Rechargeable Battery Housing

The SBC210LM's interchangeable charging modules provide a compact desktop charging station for a range of Shure Lithium-ion batteries.



## Features

- Interchangeable charging modules for bodypack and handheld transmitter batteries
- Charges batteries to 50% capacity in 1.5 hours
- Charges batteries to full capacity in 3.5 hours
- Modules are compatible with SBC210 portable charger and SBRC rackmount charging station
- Power supply included

## Charger Overview

### ① SBC210-LM

Exterior of the portable rechargeable battery housing

### ② Charging Bay

Align and insert compatible charging module

### ③ Captive Screw Holes

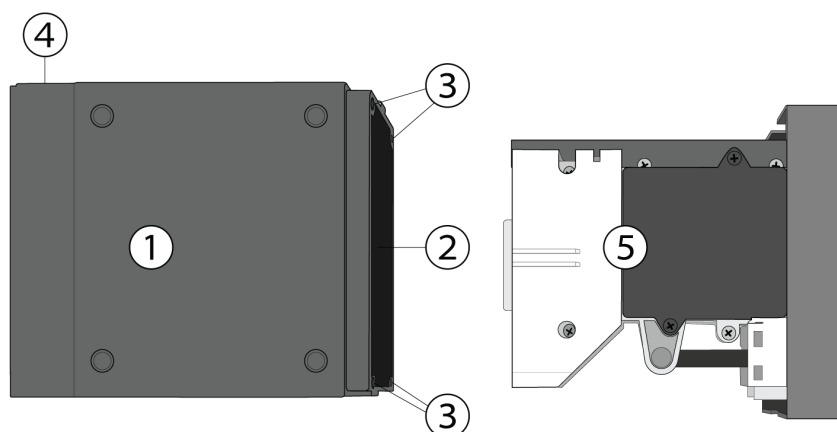
Four internal threaded screw holes to secure charging module in place

### ④ DC Power Supply Input

Connect a compatible power supply

### ⑤ Charging Module

Compatible charging modules can be swapped as needed (modules sold separately)



## Batteries

The SBC210-LM supports the following Shure charging modules and Lithium-ion rechargeable batteries:

Module	Battery
SBC-AX	SB900B
SBM910	SB910
SBM910M	SB910M
SBM920	SB920, SB920A

## Included Components

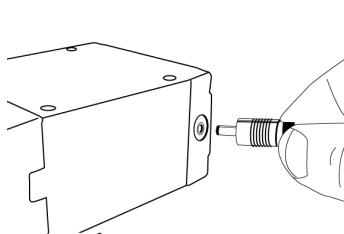
Power Supply	PS51
Mounting Screws for Charger Modules (8)	30B13476

## Optional Accessories

SBC-AX Charging Module for SB900B	SBC-AX
SBM910 Charging Module for SB910	SBM910
SBM910M Charging Module for SB910M	SBM910M
SBM920 Charging Module for SB920 and SB920A	SBM920

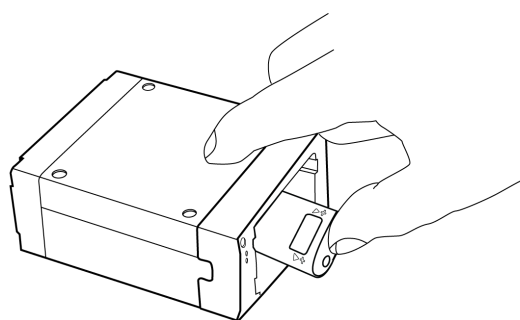
## Connecting DC Power

1. Connect the cable from the Shure PS51 power supply to the DC power supply input.
2. The white LED will illuminate when the PS51 is connected to an AC power source.



## Inserting Batteries into the Charging Bay

Slide the battery into the charging bay until it locks into place. The charge LED illuminates and the charge cycle begins.



## Charge Status LED

Each charger bay has an LED to indicate the status of the battery.

<b>Red</b>	battery charging
<b>Green</b>	charging complete
<b>Off</b>	battery inserted incorrectly or battery depleted below 3.0 volts.
<b>Amber</b>	charging stopped at reduced capacity (not less than 75% capacity) because the battery is too warm. To reach 100% capacity, a battery must be cooled to below 45°C.

## Recovering a Battery from Deep Discharge

A deeply discharged battery is one that has been discharged to less than 3.0 volts. When the charger detects a deeply discharged battery, it automatically enters recovery mode, which charges the battery using a reduced current. A red LED indicates recovery mode. If recovery is successful, the charger exits recovery mode and charges the battery to capacity. If the battery cannot be recovered in less than 30 minutes, the red LED turns off and charging stops.

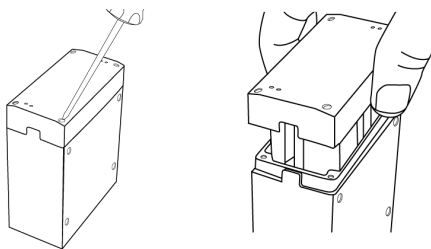
## Changing the Charger Module

**Caution!** Remove DC power and remove batteries when installing the charging module.

1. Remove the 4 mounting screws that secure the charging module.



2. Pull the charger module to remove it from the housing.
3. Insert the replacement charger module into the housing (note the orientation of the guide rails).
4. Insert the mounting screws (4 pieces) and tighten them to secure the charging module.



## Troubleshooting

<b>Power LED off.</b>	DC power fault - check connection to power supply. Ensure PS51 power supply is connected to an AC power source.
<b>Charge status LED does not illuminate.</b>	Battery is not fully inserted.
<b>Battery does not charge</b>	Battery discharged below 3.0 volts. Try another battery.

## Specifications

### Battery Type

Up to 2 rechargeable Li-Ion batteries (SB900B, SB910, SB910M, SB920, SB920A)

### Charge Time

50%=1.5 hours; 100%=3.5 hours

### Operating Temperature Range

-18°C (0°F) to +40°C (104°F)

### Battery Charging Temperature Range

0°C (32°F) to 60°C (140°F)

### Storage Temperature Range

-29°C (-20°F) to 74°C (165°F), without batteries

### Dimensions

44 x 86 x 116 mm (1.8 x 3.4 x 4.5 in.), H x W x D

### Weight

425 g (15.0 oz.), without batteries or PS51 External Power Supply

## Housing

Cast and extruded aluminum

## Power Requirements

<b>Input</b>	5.5 V DC, 2.72 A maximum
<b>Output</b>	4.2 V DC, 1.2 A maximum

## Certifications

Conforms to electrical safety requirements based on IEC/EN 62368-1.

Authorized under the verification provision of FCC Part 15A.

Meets essential requirements of the following European Directives:

- Battery Directive 2006/66/EC

*Please follow your regional recycling scheme for battery disposal.*

- Conforms to European Regulation (EC) No. 1275/2008, as amended.

**CE Notice:** Hereby, Shure Incorporated declares that this product with CE Marking has been determined to be in compliance with European Union requirements. The full text of the EU declaration of conformity is available at the following site: <https://www.shure.com/en-EU/support/declarations-of-conformity>.

Authorized European representative:

Shure Europe GmbH

Department: Global Compliance

Jakob-Dieffenbacher-Str. 12

75031 Eppingen, Germany

Phone: +49-7262-92 49 0

Fax: +49-7262-92 49 11 4

Email: EMEAsupport@shure.de

**UKCA Notice:** Hereby, Shure Incorporated declares that this product with UKCA Marking has been determined to be in compliance with UKCA requirements. The full text of the UK declaration of conformity is available at the following site: <https://www.shure.com/en-GB/support/declarations-of-conformity>.

UK Importer / UK Rep.

Shure UK Limited

Unit 2, The IO Centre, Lea Road,

Waltham Abbey, Essex, EN9 1 AS,

UK

### Waste Electrical and Electronic Equipment (WEEE) Directive



In the European Union and the United Kingdom, this label indicates that this product should not be disposed of with household waste. It should be deposited at an appropriate facility to enable recovery and recycling.

Please consider the environment, electric products and packaging are part of regional recycling schemes and do not belong to regular household waste.

### Registration, Evaluation, Authorization of Chemicals (REACH) Directive

REACH (Registration, Evaluation, Authorization of Chemicals) is the European Union (EU) and the United Kingdom (UK) chemical substances regulatory framework. Information on substances of very high concern contained in Shure products in a concentration above 0.1% weight over weight (w/w) is available upon request.

設備名稱：便攜式充電座 Equipment name		型號（型式）：SBC210LM Type designation (Type)				
單元 Unit	限用物質及其化學符號 Restricted substances and its chemical symbols					
	鉛Lead (Pb)	汞Mercury (Hg)	鎘Cadmium (Cd)	六價鉻 Hexavalent chromium (Cr <sup>6+</sup> )	多溴聯苯 Polybrominated biphenyls (PBB)	多溴二苯醚 Polybrominated diphenyl ethers (PBDE)
電路板	○	○	○	○	○	○
電子零件	—	○	○	○	○	○
金屬後蓋	—	○	○	○	○	○
金屬外殼	○	○	○	○	○	○
電源供應器	—	○	○	○	○	○

備考1. “超出0.1 wt %”及“超出0.01 wt %”係指限用物質之百分比含量超出百分比含量基準值。  
 Note 1: “Exceeding 0.1 wt %” and “exceeding 0.01 wt %” indicate that the percentage content of the restricted substance exceeds the reference percentage value of presence condition.  
 備考2. “○”係指該項限用物質之百分比含量未超出百分比含量基準值。  
 Note 2: “○” indicates that the percentage content of the restricted substance does not exceed the percentage of reference value of presence.  
 備考3. “—”係指該項限用物質為排除項目。  
 Note 3: The “—” indicates that the restricted substance corresponds to the exemption.

臺灣進口商資訊：益誠國際驗證股份有限公司/臺北市中山區長安東路 2段108號7樓之5

部件名称	有害物質					
	鉛	汞	鎘	六價格	多溴聯苯	多溴二苯醚
电路模块	X	○	○	○	○	○
金属模块	X	○	○	○	○	○
线缆及其组件	X	○	○	○	○	○
外壳	○	○	○	○	○	○
电源适配器*	X	○	○	○	○	○
电池组*	X	○	○	○	○	○

本表格依据 SJ/T11364 的规定编制。  
 O: 表示该有害物质在该部件所有均质材料中的含量均在 GB/T26572 规定的限量要求以下。  
 X: 表示该有害物质至少在该部件某一均质材料中的含量超出 GB/T26572 规定的限量要求。  
 注: 本产品大部分的部件采用无害的环保材料制造, 含有有害物质的部件皆因全球技术发展水平的限制而无法实现有害物质的替代。  
 \*:表示如果包含部分