

## RS-480

### SUB STATION



The RS-480 is a substation to be connected to the N-8400RS 4-Wire Substation Interface Unit. Pressing a call button will initiate a call to a preprogrammed master station, enabling a conversation. Also, it can be used in connection with the RS-481 Option Handset. The RS-480 is equipped with a Status indicator.

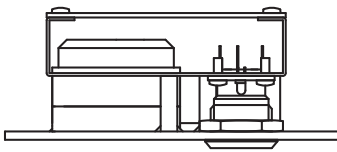
### Key features

- Outdoor/Indoor use
- Vandal-resistant
- Half-duplex communication
- Heavy duty stainless steel faceplate
- Control output
- Handset conversation via optional RS-481

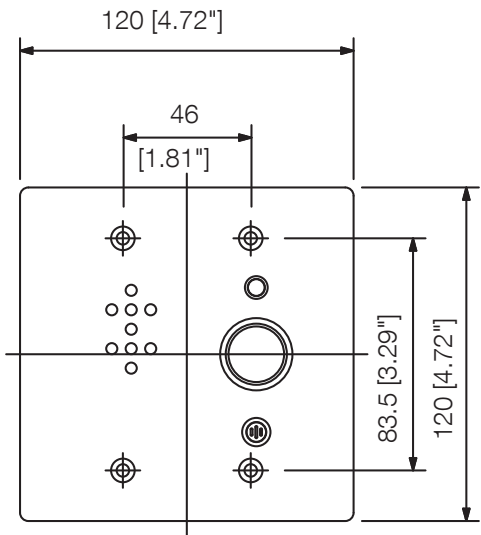
## Specifications

Call Button	Momentary (Emergency call: Press twice within 400 ms.)
Rated Input	1 W
Internal Speaker	cone-type
Internal Mic	Electret condenser type
Control Output	Open collector, Maximum controlled voltage: 30 VDC Control current: 30 mA
Indicator	When called : Status indicator (red) flashing In conversation : Status indicator (red) lit
Wiring	Twisted pair cables (2-pair)
Transmission Range	1 km (1093 yd)/#0.5 mm (AWG24) 1.5 km (1640 yd)/#0.65 mm (AWG22) 2 km (2187 yd)/#0.9 mm (AWG19)
Operating Temperature	-10 # to +50 # (14 # to 122 #) (Temperature range not to freeze the speaker and switch)
Housing Protection	BS EN62262: 2002: IK02 equivalent
Dust/Water Protection	IP54
Finish	Panel: Stainless steel, hairline Call Button: Metal, red Circuit board: Weather-resistant coating
Dimensions	120 (W) x 120 (H) x 50.5 (D) mm (4.72" x 4.72" x 1.99")
Weight	575 g (1.27 lb)
Included Accessories	Box mounting screw (No.6-32UNC x 18) .....4, Box mounting screw (M4 x 25) .....4
Recommended Box	For flush-mount: 2-gang electrical box YC-302 (option)

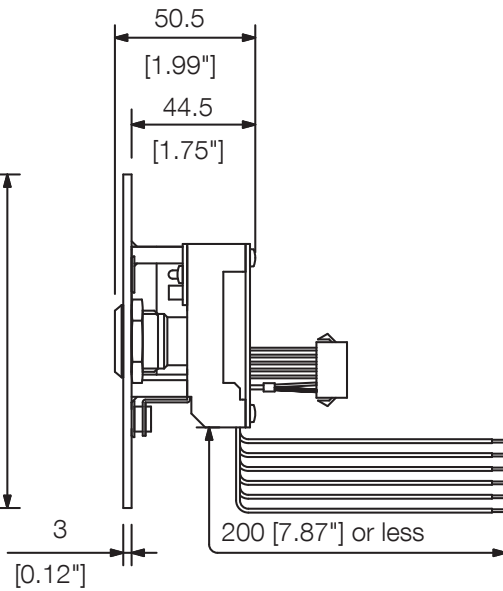
## Dimensions



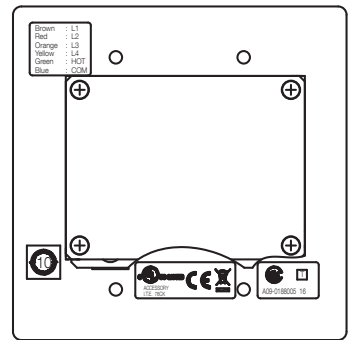
Top View



Front View



Side View



Rear View

UNIT:mm

SCALE:1/3

## A&E specifications

\*UNDEFINED TEXT\*