

RS-160

SUB STATION

The RS-160 can call and converse with the registered master stations. It utilizes a 2-core shielded cable.

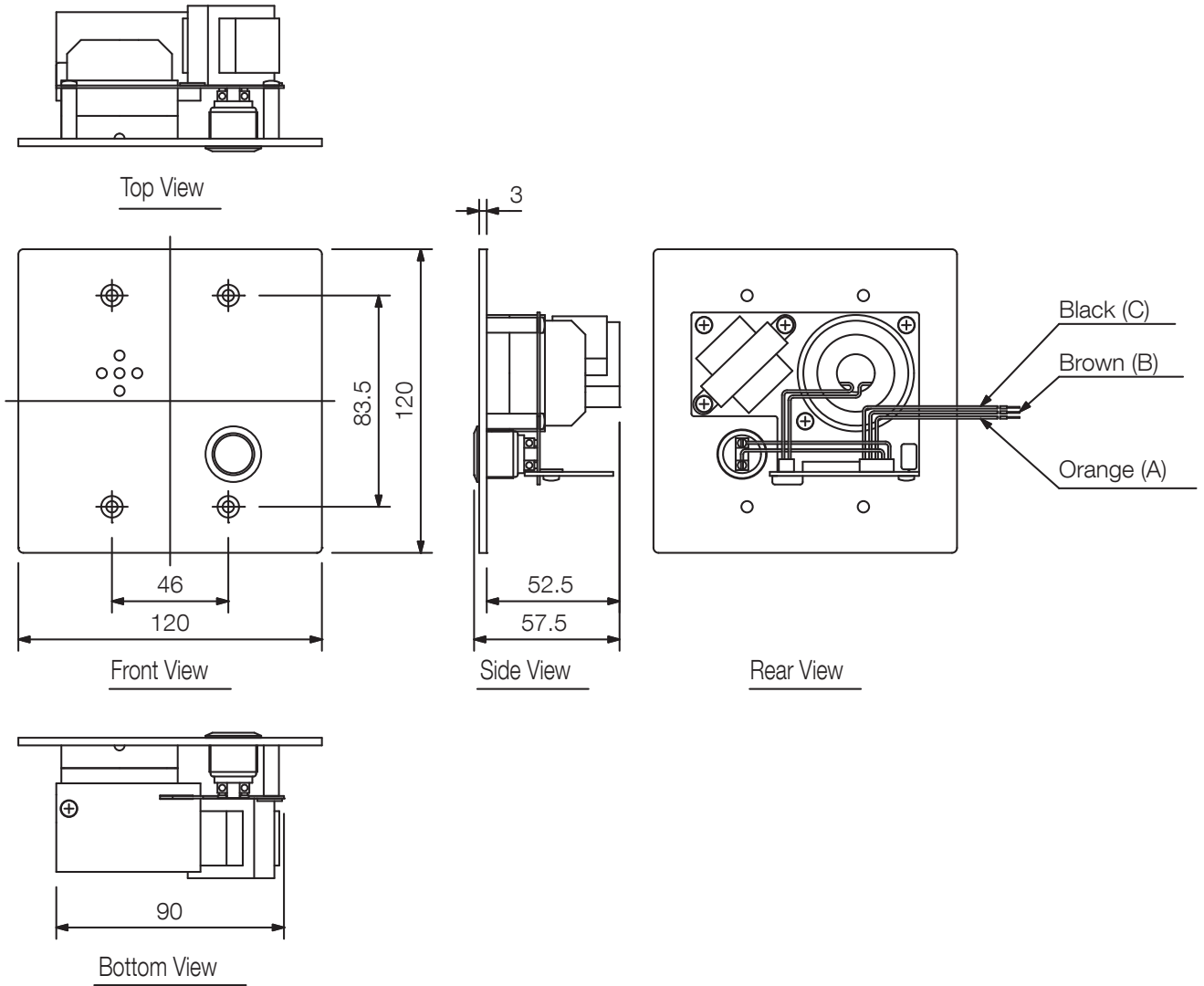


Article number:RS-160
 Alternative products: RS-140, RS-150,
 RS-170, RS-180

Specifications

Rated impedance	625 Ω (1 W / 25 V)
Speaker component	4 cm, cone-type
Rated impedance	625 Ω (1 W / 25 V)
Speaker component	4 cm, cone-type
Finish	Stainless steel, hairline,

Appearance



UNIT:mm SCALE:1/3