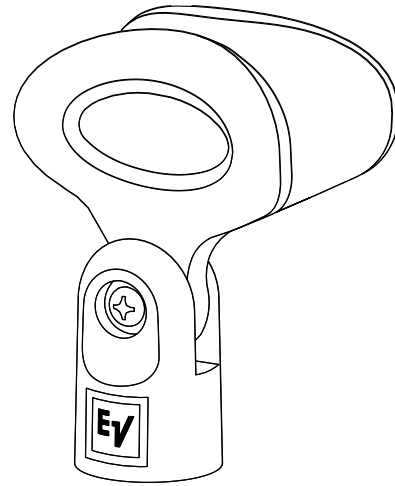


RE3-ACC-HHTSA1 Stand adapter for RE3-HHT transmitter

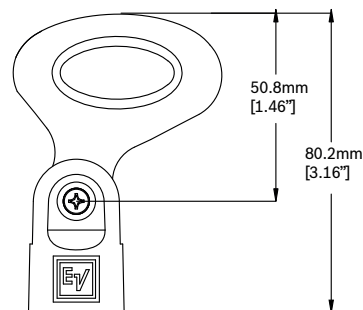
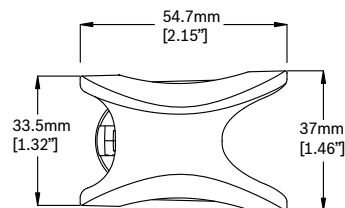
- Adapts RE3 handheld transmitter to microphone stand
- Threads to standard 5/8 x 27 and 3/8 x 16 *Euro stands (*with included thread adapter)
- Rigid rubber gripping sides securely hold transmitter
- Flexible material makes inserting and removing transmitter easy



The Electro-Voice RE3-ACC-HHTSA1 is a robust microphone stand adapter for RE3-HHT handheld transmitters. The stand adapter threads onto standard 5/8 x 27 microphone stands, as well as the Euro-style 3/8 x 16 stands when used with the included thread adapter.

The rigid TPE material securely holds the transmitter, while that same material is flexible enough to make inserting and removing the transmitter easy.

Dimensions:



Technical specifications

Material:	Thermoplastic Elastomer (TPE)
Thread:	5/8 x 27 outside / 3/8 x 16 inside
Color:	Black
Dimensions, height:	3.16 in. (80.2 mm)
width:	2.15 in. (50.5 mm)
Net weight:	1.8 oz (51 g)
Shipping weight:	4 oz (113.4 g)

Parts included

Quantity	Component
1	Microphone stand adapter
1	Euro thread adapter
1	Engineering datasheet

Ordering information

RE3-ACC-HHTSA1 Stand adapter for RE3-HHT transmitter

Threaded stand adapter, black

Order number **RE3-ACC-HHTSA1**

Represented by:

Germany:

Bosch Sicherheitssysteme GmbH
Robert-Bosch-Ring 5
85630 Grasbrunn
Germany

Bosch Security Systems, Inc.
12000 Portland Avenue South
Burnsville MN 55337
USA

www.electrovoice.com