

# RE3-ACC-AASP 2-in x 8-out antenna splitter 470-960MHz

- Active 2-in x 8-out antenna splitter
- Distributes DC to power four receivers
- Splits two antennas into four diversity receivers
- Selectable booster feed for powering active antennas and boosters
- Additional cascade output per antenna allows stacking splitters without sacrificing 2x8 function



The AASP is a professional, wide bandwidth, active antenna splitter designed to function as the distribution hub of RF and DC power in a multi-channel wireless microphone system. One AASP actively splits each incoming antenna signal (A and B) into four connected diversity receivers in the system without signal loss, as well as distributing DC to power each of the four connected receivers. In addition to the four RF outputs per antenna, AASP also includes a convenient cascade output per antenna allowing incoming signals to be sent directly to another AASP unit with zero loss, and without sacrificing any of the four RF outputs per side. A total of five AASP splitters can be cascaded from one pair of antennas.

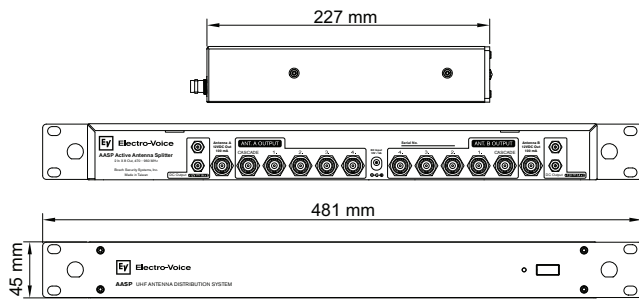
The selectable booster feed powers active antennas and/or booster amps with 12V DC. The factory default setting is on, and should a need arise for the booster feed to be off, an on/off switch can be accessed on the main circuit board inside of the chassis.

## Technical specifications

Frequency range:	470 - 960 MHz
RF output gain:	3 dB ( $\pm$ 2dB)
Cascade output level:	0dB - +2dB
Output connection isolation:	25dB

Third order intercept point:	24 dBm
Impedance:	50 Ohm
Input voltage:	12v DC/5A
Output DC voltage:	+12V 1A x 4
Antenna booster DC voltage:	12V
Dimensions (length):	18.93" (481mm)
Dimensions (width):	8.94" (227mm)
Dimensions (depth):	1.71" (43.4mm)
Finish:	Polyurethane paint, black
Net weight:	6.78 lb (3.07 kg)
Gross weight:	8.16 lb (3.7 kg)

**Dimensions:**



**Licensing and certification declarations:**

**FCC Supplier's Declaration of Conformity**  
47 CFR, Section 2.1077 Compliance Information

**Product Identifier:**

Electro-Voice:  
RE3 Wireless Receiver, AASP Active Antenna Splitter, ALPA Active Log  
Periodic Antenna, RFAMP Antenna Booster, BC2 Battery Charger

**Responsible Party – U.S. Contact Information**

Bosch Security Systems, Inc.  
130 Perinton Parkway  
Fairport, NY 14450  
USA  
Tel: +1 (585) 223-4060

**FCC Compliance Statement**

This device complies with Part 15 of the FCC Rules. Operation is subject to the following two conditions: (1) This device may not cause harmful interference, and (2) this device must accept any interference received, including interference that may cause undesired operation.

**IC:** This Class B digital apparatus complies with Canadian ICES-003. Cet appareil numérique de la classe B est conforme à la norme NMB-003 du Canada. This device complies with Industry Canada license-exempt RSS standard(s). Operation is subject to the following two conditions:

- (1) This device may not cause interference, and
- (2) This device must accept any interference, including interference that may cause undesired operation of the device.

Le présent appareil est conforme aux CNR d'Industrie Canada applicables aux appareils radio exempts de licence. L'exploitation est autorisée aux deux conditions suivantes :

- (1) l'appareil ne doit pas produire de brouillage, et
- (2) l'utilisateur de l'appareil doit accepter tout brouillage radioélectrique subi, même si le brouillage est susceptible d'en compromettre le fonctionnement.

**CE and EU:** The CE Declaration of Conformity can be obtained and downloaded from: [www.electrovoice.com](http://www.electrovoice.com)

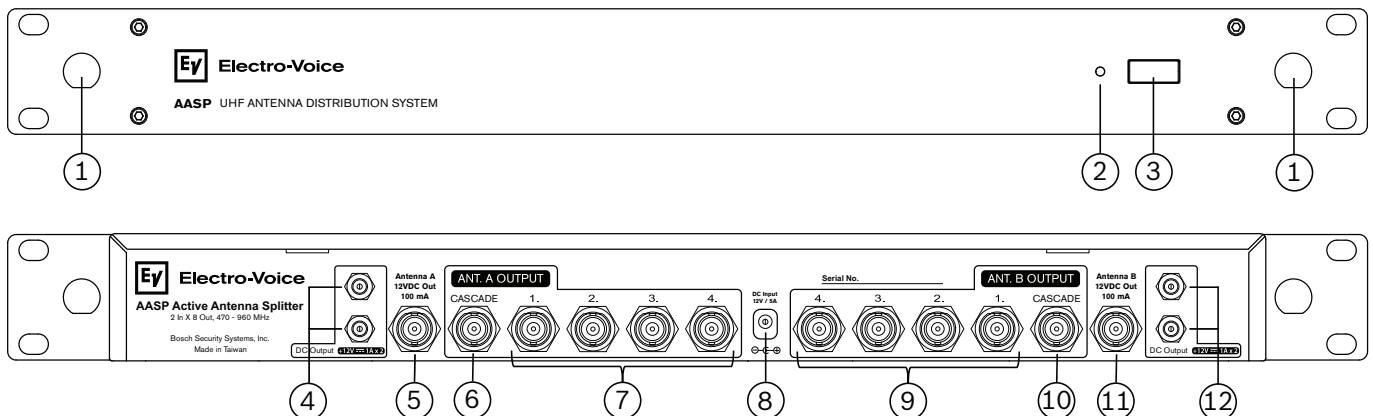
This Equipment is in compliance with CE requirements and the following directives:

- 2011/65/EU RoHS Directive
- 2012/19/EU WEEE Directive
- 2014/53/EU RED Directive

**AU and NZ:** This device is in compliance with Cispr32.

**Installation/configuration notes**

**Product identification:**



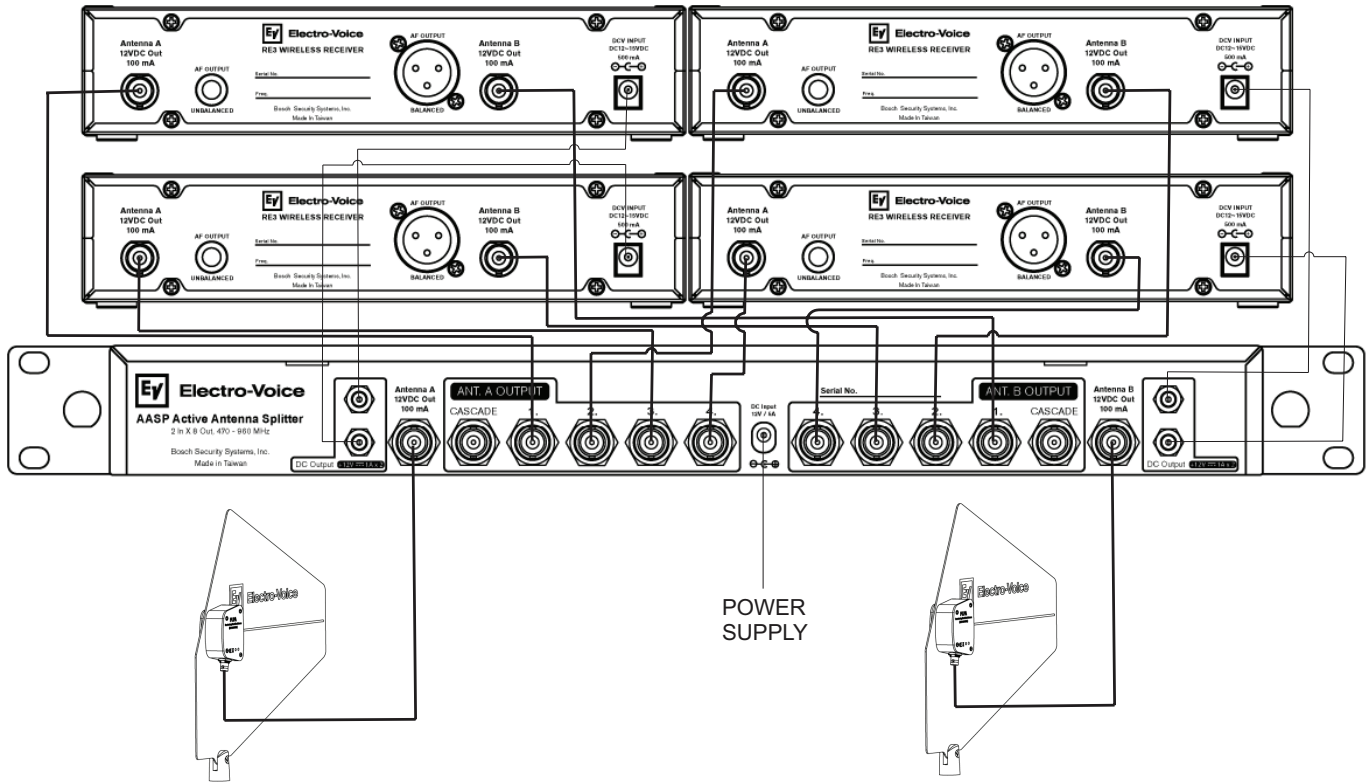
- |   |   |
|---|---|
| <ol style="list-style-type: none"> <li>1. Antenna mount holes for attaching optional RE3-ACC-CXUF</li> <li>2. Power status LED</li> <li>3. Power switch</li> <li>4. DC power output jacks to power two receivers with supplied DC power leads</li> <li>5. Antenna A input jack</li> </ol> | <ol style="list-style-type: none"> <li>6. Antenna A cascade output jack for sending antenna A signal directly out to a second AASP antenna A input</li> <li>7. Four Antenna A output jacks to send signal to four receiver antenna A input jacks</li> <li>8. DC power input for supplied external power supply</li> <li>9. Four Antenna B output jacks to send signal to four receiver antenna B input jacks</li> </ol> |
|---|---|

3 | RE3-ACC-AASP 2-in x 8-out antenna splitter 470-960MHz

10. Antenna B cascade output jack for sending antenna B signal directly out to a second AASP antenna B input
11. Antenna B input jack
12. DC power output jacks to power two receivers with supplied DC power leads

**Patching a 4-channel system:**

Using the supplied cables and power supply, patch a 4-channel system as shown.

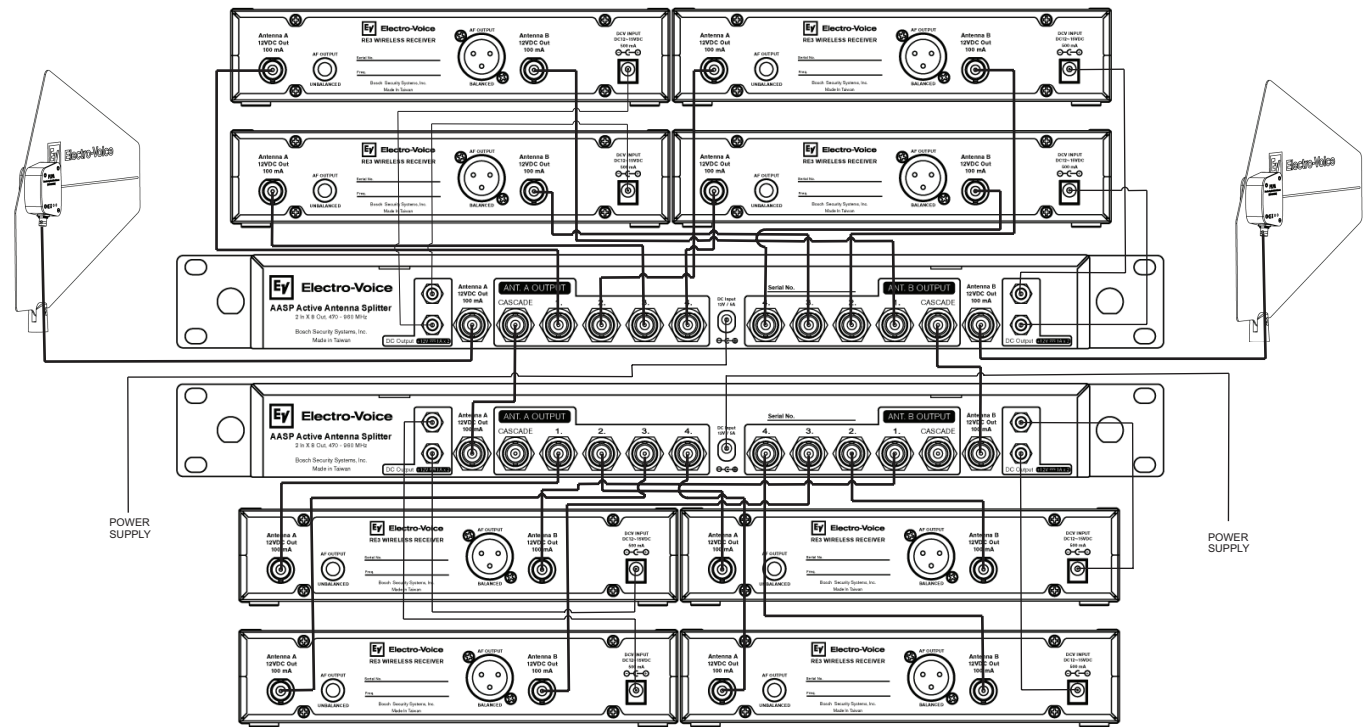


*Patching a 4-channel system*

**Patching an 8-channel system:**

Using the supplied cables and power supply, patch an 8-channel system as shown.

#### 4 | RE3-ACC-AASP 2-in x 8-out antenna splitter 470-960MHz

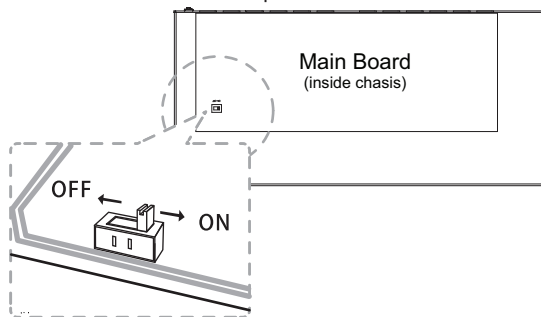


#### Patching an 8-channel system

##### Accessing DC booster feed on-off switch:

To set the on-off switch for the DC booster feed, do the following:

1. Remove four screws on top of splitter chassis cover.
2. Remove two screws on each of two sides of splitter chassis cover.
3. Remove chassis cover.
4. Set on-off switch as required.



5. Reassemble chassis cover, attach and tighten the eight screws removed in steps 1-3.

##### Replacement parts

Order number	Description
ESP-EF01U362355	AASP power supply, 60W
ESP-EF01U362352	AASP DC distro cables (4pcs)

##### Compatible products

Order number	Description
RE3-ACC-CXUF	Rear to front mount antenna cable kit
RE3-ACC-PLPA	Passive log periodic antenna; 470-960MHz

Order number	Description
RE3-ACC-ALPA	Active log periodic antenna; 470-960MHz
RE3-ACC-RFAMP	Active RF antenna booster; 470-960MHz
RE3-ACC-CXU2	2 foot antenna coax cable (pair)
RE3-ACC-CXU10	10 foot, 50 ohm BNC coax cable (pair)
RE3-ACC-CXU25	25 foot, 50 ohm low loss BNC coax cable
RE3-ACC-CXU50	50 foot, 50 ohm low loss BNC coax cable
RE3-ACC-CXU75	75 foot, 50 ohm low loss BNC coax cable
RE3-ACC-CXU100	100 foot, 50 ohm low loss BNC coax cable

### Parts included

Quantity	Component
1	Active antenna splitter
4	DC power leads
10	2-foot 50 ohm BNC antenna cables
1	External AC-to-DC power supply
1	110 volt IEC power cable with type B wall plug
1	220 volt IEC power cable with type F wall plug
1	Engineering datasheet
1	Warranty and product documentation information card

## Ordering information

### **RE3-ACC-AASP 2-in x 8-out antenna splitter 470-960MHz**

2-in x 8-out active UHF antenna splitter 470-960MHz,  
black

Order number **RE3-ACC-AASP**

---

## 6 | RE3-ACC-AASP 2-in x 8-out antenna splitter 470-960MHz

---

**Represented by:**

**Germany:**  
Bosch Sicherheitssysteme GmbH  
Robert-Bosch-Ring 5  
85630 Grasbrunn  
Germany

Bosch Security Systems, Inc.  
12000 Portland Avenue South  
Burnsville MN 55337  
USA

[www.electrovoice.com](http://www.electrovoice.com)