



MD 441-U



Quick Guide
 Kurzanleitung
 Guide de démarrage rapide
 Guida rapida
 Instrucciones resumidas
 Instruções resumidas
 Beknopte gebruiksaanwijzing
 Krótka instrukcja obsługi
 Snabbguide

Kort vejledning
 Pikaohje
 Γρήγορος οδηγός
 Kısa Kılavuz
 Краткая инструкция
 快速指南
 快速使用指南
 クイックガイド
 퀵 가이드

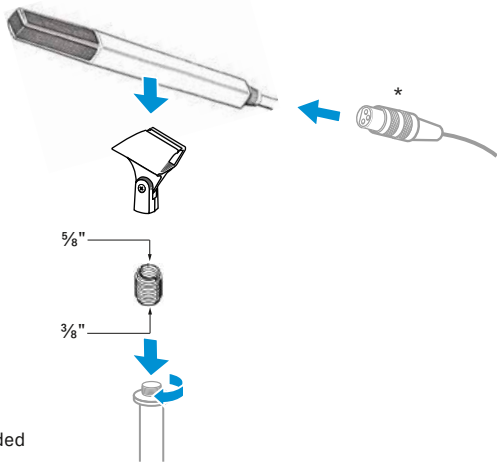
Sennheiser electronic GmbH & Co. KG

Am Labor 1, 30900 Wedemark, Germany
www.sennheiser.com

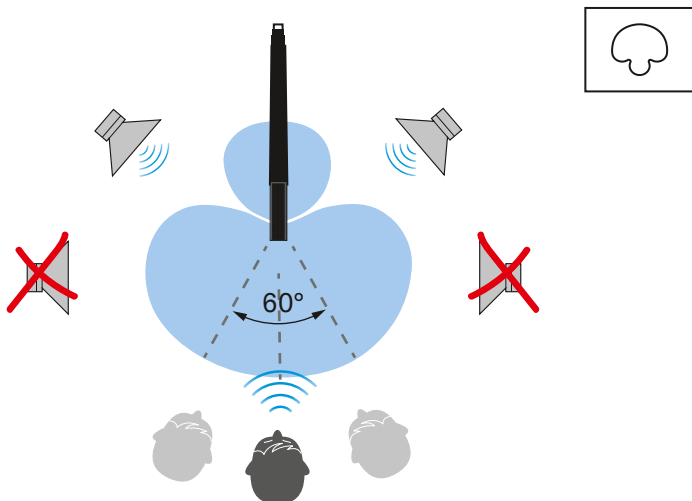
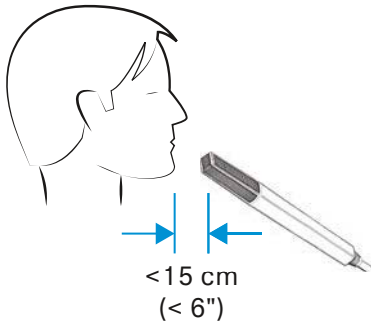
Printed in Germany
Publ. 11/22, 597222/A01

SENNHEISER

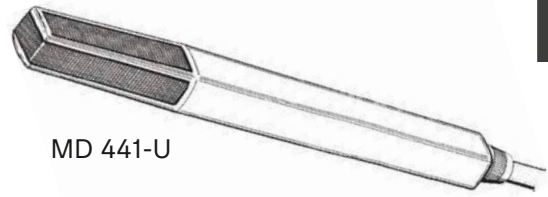
Setup



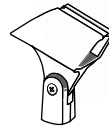
*XLR-3 cable not included



In the box



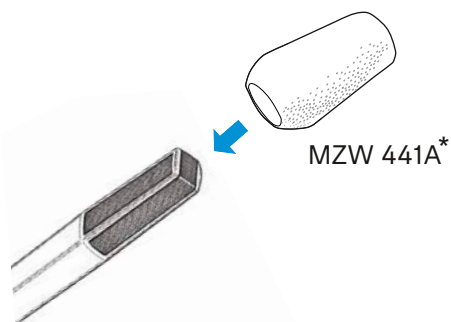
MD 441-U



MZQ 441



Accessory

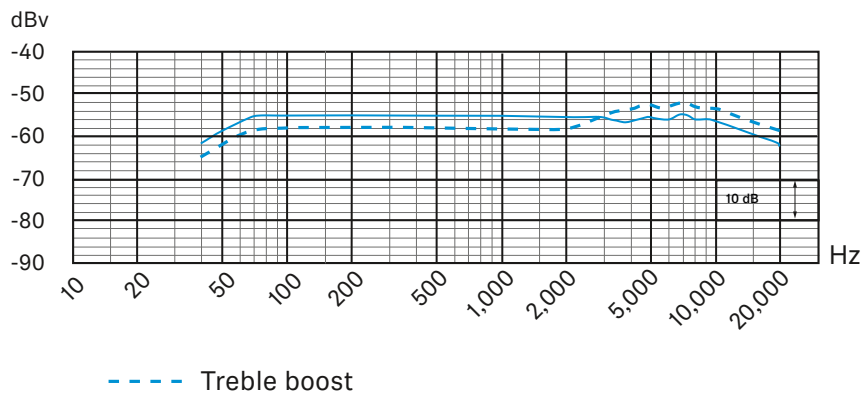
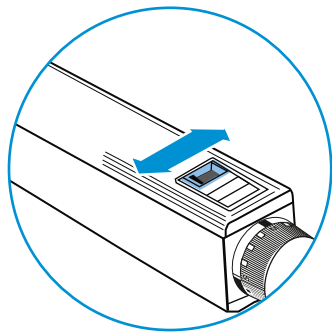


MZW 441A*

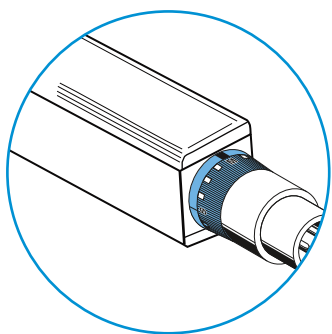
*MZW 441A not included

Setup

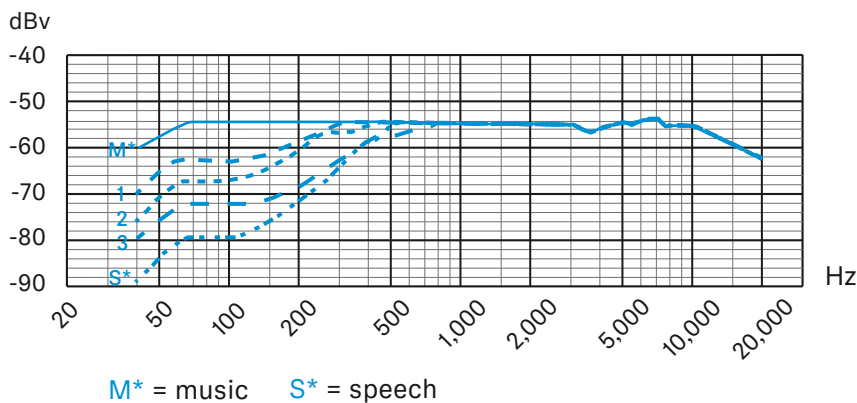
Treble boost switch



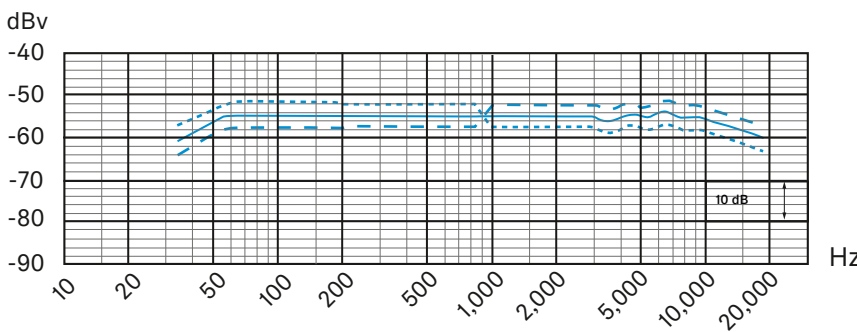
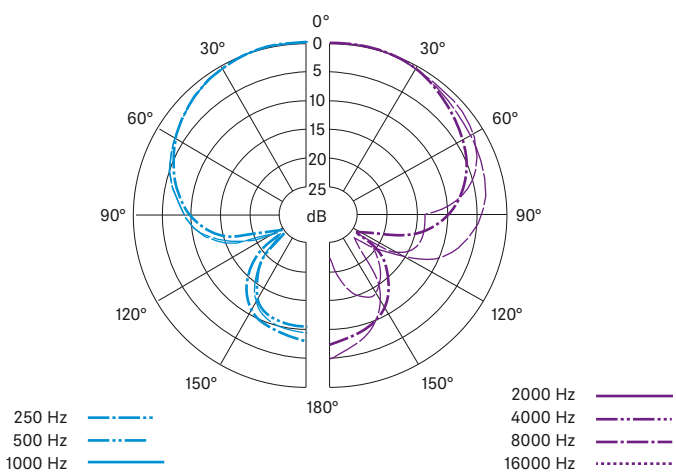
Roll-off filter



- M* = —————
- 1 = - - - - -
- 2 = - - - - -
- 3 = - - - - -
- S* = - · - · - · -



Polar pattern and frequency response



Specifications

Transducer principle	Pressure gradient transducer
Frequency response	30 - 20,000 Hz
Pick-up pattern	Supercardioid
Sensitivity (free field, at 1 kHz)	1,8 mV/Pa ±2 dB
Electrical impedance	200 Ω
Min. terminating impedance	1 kΩ
Connector	XLR-3
Dimensions	270 x 33 x 36mm
Weight	approx. 450 g

Connector assignment

