

switch back M8RX™

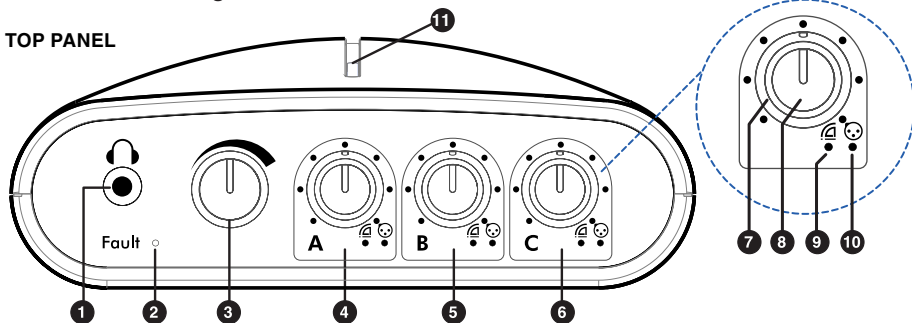
QUICK START GUIDE



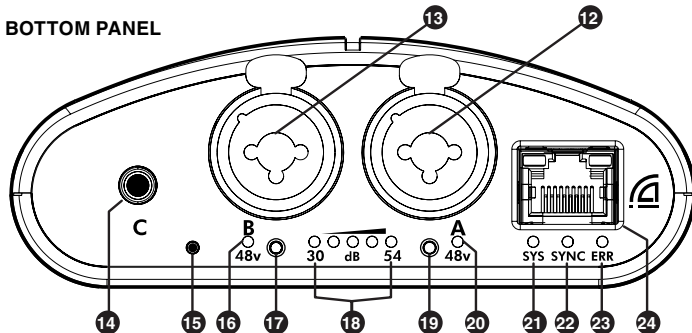
SCAN
CODE
FOR USER
GUIDE

Thank you for purchasing the Switch Back M8RX! Use this Quick Start Guide to setup quickly and easily. Refer to the User Guide for complete instructions, available online at www.heartechnologies.com or scan the QR code above.

TOP PANEL



BOTTOM PANEL



- 1 1/8" Stereo Headphone Output
- 2 Headphone Fault LED
- 3 Master Volume
- 4 "A" Input
- 5 "B" Input
- 6 "C" Input (Stereo)
- 7 Dante Input Level
- 8 Analog Input Level
- 9 Dante Signal & Clip Status LED
- 10 Analog Input Signal & Clip Status LED
- 11 User-changeable Multi-color LED (for identifying multiple M8RXs)
- 12 Input "A" Balanced XLR or 1/4" Input
- 13 Input "B" Balanced XLR or 1/4" Input
- 14 Input "C" Unbalanced 1/8" Stereo Line Input
- 15 Reset Switch
- 16 Input "B" Phantom Power Indicator
- 17 Input "B" Gain & Phantom Power Button
- 18 Gain Indicator LEDs for Input "A" or "B"
- 19 Input "A" Gain & Phantom Power Button
- 20 Input "A" Phantom Power Indicator
- 21 "SYS" Dante Status Indicator
- 22 "SYNC" Dante Communication Indicator
- 23 "ERR" Error Indicator
- 24 Dante & PoE+ Power RJ45 for 100 BaseT Ethernet Connector (only use unshielded cables)



Switch Back M8RX is proudly designed & assembled in the U.S.A. by musicians and audio engineers.



CONNECTING THE SYSTEM

- 1 Connect the appropriate input(s)** as shown in the hook-up diagram.
- 2 Set all volume controls to “Off”** (full counter-clock-wise position), connect the headphones or in-ear monitors.
- 3 Connect the M8RX to PoE+ power** such as an in-line PoE+ power injector or PoE+ network switch using unshielded Cat6 cabling.
- 4 Adjust the level at the input source** (microphone gain, Dante source, etc.) until the red clip LEDs just come on and then reduce the input(s) until you have a bright blue LED.
- 5 Mixer Adjustment:** Once you have the signals optimized, turn the master volume to about 12 o'clock and then raise the desired input volumes. For best performance, avoid adjusting the master volume too high and running the inputs too low.

⚠ WARNING

ALWAYS turn down the “Master Volume” down before putting on in-ear headsets or headphones because Switch Back M8RX is capable of driving most headphones to extreme levels that can damage your HEARING!

EXAMPLE HOOK-UP DIAGRAM



Hear Technologies®
991 Discovery Drive
Huntsville, AL 35806

www.HearTechnologies.com
Phone: 1-256-922-1200
Fax: 1-256-922-1221

Printed in U.S.A. ©2021
FEB 2023