



Type(s)  
Project  
Date  
Notes

**GENERAL INFORMATION**

The Pharos Remote 4-Port Device (RIO G4) is a convenient and scalable solution, providing cost-effective Ethernet-distributed DMX ports. The RIO G4 is an easily configurable networking node that is specifically designed to add physical DMX ports to Pharos Control systems. Includes four DMX output ports that can be flexibly assigned, providing an elegant data distribution solution over an Ethernet network with minimal setup required.

**APPLICATIONS**

- Adds Ethernet distributed DMX ports to the Pharos system

**FEATURES**

- **Isolation** - The RIO G4 offers four DMX512 output ports to control your fixtures. Each port is independently galvanically isolated up to 2 kV, ensuring the control circuitry and each port of the RIO G4 is protected against a multitude of electrical line faults, including earth potential rise and ground loops.
- **Protection** - The RIO G4 is equipped with “self-healing” DMX ports, giving your equipment added protection from incorrect setup and energy surges, such as short circuits and power induction. Should an energy surge occur, it will be contained by the RIO G4, preventing it from flowing into other components. Once an external fault is cleared, the ports “self-heal”, restoring DMX output automatically.
- **Scalable** - Multiple Remote Devices can be combined on the same network to build the ideal system for your installation. System totals and maximum device limits depends on the controller type.
- **Power over Ethernet** - As a Power over Ethernet (PoE) device, the RIO G4 can be placed at any remote location and only needs a single Ethernet cable that provides both power and data
- **Commissioning Software** - Programmed and configured using Pharos software – available free for Windows or macOS – with upload over Ethernet
- **Reliable** - Solid-state design for 24/7 operation and reliability
- **Installer Friendly** - Made for permanent installation, with installer-friendly DIN rail mounting
- **Network** - Works with Pharos controllers and links using standard protocols over an Ethernet network

**ORDERING INFORMATION**

**Remote 4-Port Device**

Model	Description	Part Number
RIO G4	Pharos RIO G4	7180A1441

**Compatible Controllers**

Model	Description	Part Number
XPC 1	Express 1U DIN rail Control	7180A1421
XPC 2	Express 2U DIN rail Control	7180A1422
XPC 4	Express 4U DIN rail Control	7180A1423
XPC 6	Express 6U DIN rail Control	7180A1424

**Related Products**

Model	Description	Part Number
XPT 5 B	Express 5 in Touchscreen, Black	7180A1431-4
XPT 5 W	Express 5 in Touchscreen, White	7180A1431-5
XPT 8 B	Express 8 in Touchscreen, Black	7180A1432-4
XPT 8 W	Express 8 in Touchscreen, White	7180A1432-5
RIO D4	Pharos RIO D4	7180A1442
PAC R	Pharos Accessory, DMX Repeat	7180A1444
PAC S	Pharos Accessory, NET Switch	7180A1445



**SPECIFICATIONS**

**FUNCTIONAL**

- Requires Pharos Express Control
- Four configurable ports supporting:
  - DMX512 output (USITT E1.11-2008). 512 channels per port in DMX mode.
  - RDM (ANSI E1.20). Allows any of the fixtures connected to any of the DMX outputs to communicate back to their respectively assigned Express Control over an Ethernet network. Also supports discovery and addressing via Pharos software.

**MECHANICAL**

- Six-unit wide DIN enclosure complies with DIN43880 and EN60715 (35/7.5 rail)
- Compact, plastic enclosure
- Rotary switch for selecting network address
- IP40 ingress rating
- DMX512 wiring connections use 0.200" (5.08 mm) plug-in rising clamp terminals

**SYSTEM LIMITS**

An Express system comprises one Express Control and optional devices

- Maximum of four RIO G4 modules may be assigned to the Express Control module

**ELECTRICAL**

- Powered by PoE, IEEE 802.3af, Class 2 (7 W max draw) on RJ45. Supports 10/100Base-TX Ethernet, Link and data LEDs, Static IP or DHCP, Power over Ethernet (PoE)
- Self-healing ports can withstand continuous AC voltage up to 300 V or peak impulse voltage up to 650 V with duration less than 10 ms
- Ports independently galvanically isolated up to 2 kV
- Hardware watchdog and recessed Reset button

**THERMAL**

- Ambient temperature: 0°C to 50°C (32°F to 122°F)
- 10%–90% relative humidity, non-condensing

**REGULATORY AND COMPLIANCE**

- CE Compliant, UKCA Compliant, cULus Listed

**WARRANTY**

- See [etconnect.com/warranty/](http://etconnect.com/warranty/) for details

**PHYSICAL**

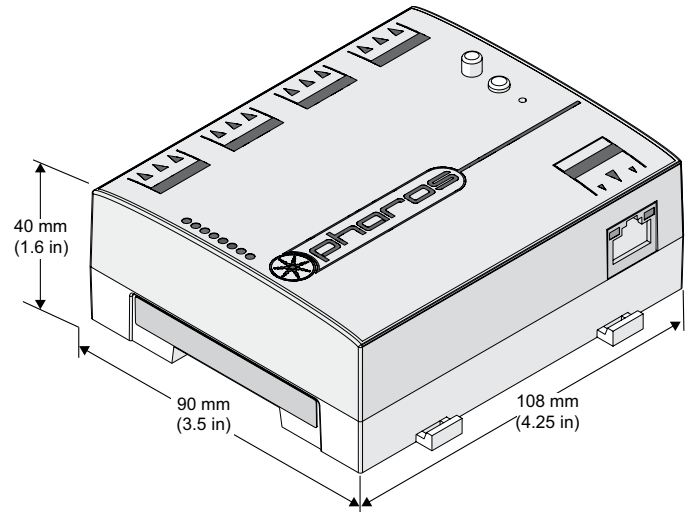
**Pharos Remote 4-Port Device Dimensions<sup>†</sup>**

MODEL	HEIGHT		WIDTH		DEPTH	
	mm	in	mm	in	mm	in
RIO G4	90	3.5	108	4.25	40	1.6

**Pharos Remote 4-Port Device Weight<sup>†</sup>**

MODEL	WEIGHT		SHIPPING WEIGHT	
	kg	lb	kg	lb
RIO G4	0.2	0.5	0.4	0.9

<sup>†</sup>Weights and dimensions are typical.



**Corporate Headquarters** • Middleton, WI USA  
**Global Offices** • London, UK • Rome, IT • Holzkirchen, DE • Paris, FR • Hong Kong • Dubai, UAE  
 New York, NY • Orlando, FL • Los Angeles, CA • Austin, TX • Squamish, BC • Victor, NY  
 ©2026 ETC. All Rights Reserved. All product information and specifications subject to change. Rev A 2026-04  
 \*Trademark and patent info: [etconnect.com/IP](http://etconnect.com/IP) • Third-party license agreement info: [etconnect.com/licenses](http://etconnect.com/licenses)