



Type(s)

Project

Date

Notes

GENERAL INFORMATION

A stunningly elegant wall station with a seamless, uninterrupted glass front plate, providing a beautiful interface if your project requires user interaction.

The Pharos Express Touch 5 receives automatically generated pages via Express Control, based on programming in Express software. Easily control your lighting by activating scenes and adjusting intensity for each Space.

With single cable installation, Pharos Express Touch 5 is a Power-over-Ethernet device. Included is a universal mounting plate which is compatible with world-wide back boxes and boasts a secure and ingenious fitting mechanism.

APPLICATION

- Easily control your lighting by activating scenes and adjusting intensity for each space.

FEATURES

- **Touch Interface** - Touch 5 has a vivid color 5" display with a high resolution of 800x480. The capacitive touchscreen makes navigating your project's controls appealing and intuitive. It's quick and easy to select your space and activate presets, manually override intensity and even use a color picker to personalize your lighting. Touch 5 puts control at your fingertips.
- **Straightforward Installation** - With a new, innovative wall-mounting system, the universal mounting plate can be fitted to a wide range of regulation back boxes, including UK, US and EU. The Touch 5 fits to the mounting plate via a bayonet twist system which is not immediately obvious to an observer. This keeps it firmly fastened with a tool-free installation, and the microSD card remains out of reach whilst installed.
- **Power over Ethernet** - As a Power over Ethernet (PoE) device, the Touch 5 can be placed at any remote location and only needs a single Ethernet cable that provides both power and data.
- **Controller** - Requires Pharos Express Control.
- **Wherever They're Needed** - Supports up to 32 Express Touch devices. Pages are generated relating to the Space you assign to your Touch 5 – giving you control over just one room, or the whole project.
- **Express Software** - Let Express Software guide you through setting up and creating your lighting design, with helpers and clear, easy to follow processes. Add stations to spaces and choose a theme to suit the location, then let Express do the rest – generating the pages and controls you want – with preset buttons, color pickers and intensity sliders.
- **Reliability** - Made for permanent installation and designed for 24/7 operation and reliability. Hardware and firmware are self-sufficient, so no PC needs to be left on site.

ORDERING INFORMATION

EXPRESS TOUCH 5

Model	Description	Part Number
XPT 5 B	Express 5 in Touchscreen, Black	7180A1431-4*
XPT 5 W	Express 5 in Touchscreen, White	7180A1431-5*

*Specify mounting:

- FBB = Flush-mount
- SBB = Surface-mount
- RM = Rack-mount

COMPATIBLE CONTROLLERS

Model	Description	Part Number
XPC 1	Express 1U DIN rail Control	7180A1421
XPC 2	Express 2U DIN rail Control	7180A1422
XPC 4	Express 4U DIN rail Control	7180A1423
XPC 6	Express 6U DIN rail Control	7180A1424

RELATED PRODUCTS

Model	Description	Part Number
XPT 8 B	Express 8 in Touchscreen, Black	7180A1432-4
XPT 8 W	Express 8 in Touchscreen, White	7180A1432-5
RIO G4	Pharos RIO G4	7180A1441
RIO D4	Pharos RIO D4	7180A1442
PAC R	Pharos Accessory, DMX Repeat	7180A1444
PAC S	Pharos Accessory, NET Switch	7180A1445

SPECIFICATIONS

FUNCTIONAL

- Requires Pharos Express Control
- Touchscreen controller with:
 - 5" capacitive touch display
 - 800x480 resolution
 - 24 bits per pixel (bpp) color depth
 - 650 cd/m2
- Provides user interface for Express Control
- Automatically generated page layouts to suite each project's settings from specific project Spaces
- Multiple themes to choose from for automatically generated pages, controls, and navigation
- Within each theme there are different skins to choose from to fine tune appearance
- Supports portrait or landscape mounting and operation
- Solid-state, high-reliability components
- Keypad option for PIN-code entry with automatic lock allows for secure access
- Interface provided from linked Express Control, commission with Pharos Express
- Optionally enabled interface elements to manage project tags

MECHANICAL

- Seamless, uninterrupted front glass plate
- Mounts with no visible means of attachment
 - Universal mounting plate included
 - Wall-mounted, partly recessed with a custom universal mounting plate that supports a standard US/EU/UK 1 and 2-gang 35 mm back boxes
- Removable microSD card (included)
- Hardware watchdog and recessed Reset button for recovery
- IP40 ingress rating

FINISH

- Signal White color - Bayblend T65XF (UL94 HB), RAL 9003
- Jet Black color - Bayblend T65XF (UL94 HB), RAL 9005

ELECTRICAL

- PoE powered (IEEE 802.3af, Class 0), 7 W max draw

THERMAL

- Ambient temperature: 0°C to 50°C (32°F to 122°F)
- 10%–90% relative humidity, non-condensing

REGULATORY AND COMPLIANCE

- CE Compliant, UKCA Compliant, cULus Listed

WARRANTY

- See etcconnect.com/warranty/ for details

PHYSICAL

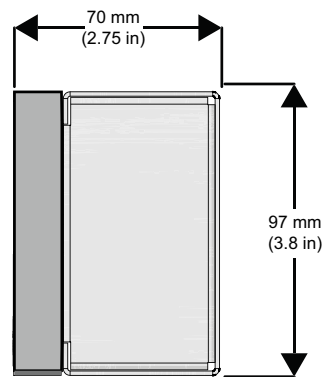
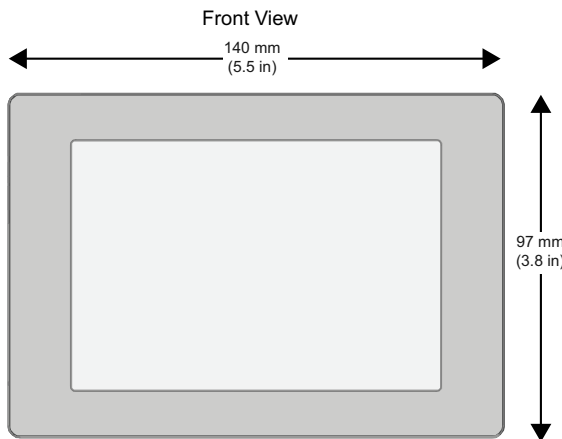
Pharos Express Touch 5 Dimensions†

MODEL	HEIGHT		WIDTH		DEPTH	
	mm	in	mm	in	mm	in
XPT 5	97	3.8	140	5.5	28	1.1
XPT 5 w/ SBB	97	3.8	140	5.5	70	2.8
XPT 5 RM	132	5.3	483	19.0	44	1.8

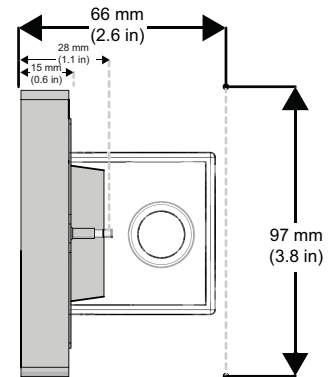
Pharos Express Touch 5 Weights†

MODEL	WEIGHT		SHIPPING WEIGHT	
	kg	lb	kg	lb
XPT 5	0.3	0.6	0.6	1.1

†Weights and dimensions are typical. Weight is of the Pharos Express Touch 5 only.



Side View
(shown with surface-mount back box)



Side View
(shown with 1-gang US back box)



Corporate Headquarters • Middleton, WI USA
 Global Offices • London, UK • Rome, IT • Holzkirchen, DE • Paris, FR • Hong Kong • Dubai, UAE
 New York, NY • Orlando, FL • Los Angeles, CA • Austin, TX • Squamish, BC • Victor, NY
 ©2026 ETC. All Rights Reserved. All product information and specifications subject to change. Rev A 2026-04
 *Trademark and patent info: etconnect.com/IP • Third-party license agreement info: etconnect.com/licenses

etconnect.com