



Type(s)
Project
Date
Notes

GENERAL INFORMATION

Pharos Switch is a convenient unmanaged Ethernet switch providing simple power and networking solutions for up to four Power over Ethernet (PoE) devices. An elegant and easy solution to connect and power PoE controllers, remote devices and touch devices, with the Ethernet-in non-powered port connecting directly to the programming laptop or joining to a local network. This DIN rail mount PoE network switch only requires a 24 VDC power supply.

APPLICATION

- Integration with up to four power PoE controllers, remote devices, and touch devices

FEATURES

- **PoE Convenience** - Combine power and data in a single Ethernet cable using PoE (IEEE 802.3af) technology, making it easy to locate your Pharos PoE devices where you need them
- **Installer Friendly** - Made for permanent installation, with installer-friendly 0.200" (5.08 mm) plug-in rising clamp terminals requiring convenient 24 VDC power; standard RJ45 sockets, and easy DIN rail and keyhole mounting options
- **No Commissioning** - The simple unmanaged switch operates out of the box, with no commissioning required
- **Flexible** - Automatically detects the requirements of the connected device to provide the correct power level
- **Protected** - Resettable fuses protect each port with the appropriate level of over current protection for the Class of device that is attached
- **Multiple Ports** - Use four ports to power and connect Pharos PoE controllers, remote devices and touch devices (or other IEEE 802.3af compliant devices). One additional port (without PoE) available to connect to your computer, other networks or other devices that do not require Power-over-Ethernet.
- **Reliability** - Made for permanent installation and designed for 24/7 operation and reliability

ORDERING INFORMATION

Pharos Switch

Model	Description	Part Number
PAC S	Pharos Accessory, NET Switch	7180A1445

Compatible Controllers

Model	Description	Part Number
XPC 1	Express 1U DIN rail Control	7180A1421
XPC 2	Express 2U DIN rail Control	7180A1422
XPC 4	Express 4U DIN rail Control	7180A1423
XPC 6	Express 6U DIN rail Control	7180A1424

Related Products

Model	Description	Part Number
XPT 5 B	Express 5 in Touchscreen, Black	7180A1431-4
XPT 5 W	Express 5 in Touchscreen, White	7180A1431-5
XPT 8 B	Express 8 in Touchscreen, Black	7180A1432-4
XPT 8 W	Express 8 in Touchscreen, White	7180A1432-5
RIO G4	Pharos RIO G4	7180A1441
RIO D4	Pharos RIO D4	7180A1442
PAC R	Pharos Accessory, DMX Repeat	7180A1444



SPECIFICATIONS

FUNCTIONAL

- Four RJ45 sockets for 10/100Base-TX Ethernet with Power over Ethernet (10 W max on each port).
- Supports IEEE 802.3af Type 1–Class 1, 2 and 0 (up to 10 W) devices.
- Unmanaged PoE Ethernet switch with four ports, Class 2, PoE, 24 VDC.

MECHANICAL

- Six-unit wide DIN enclosure complies with DIN43880 and EN60715 (35/7.5 rail).
- IP40 ingress rating.
- Compact, plastic enclosure.
- 24 VDC input on pluggable rising clamp terminals.

ELECTRICAL

- Device RJ45 connections (x4) supports 10/100Base-TX Ethernet, IEEE 802.3af Type 1–Class 1, 2 and 0 (up to 10 W) devices.
 - Link and data LEDs.
- PAC S is powered by the 24 VDC input on pluggable connector (45 W max draw).

THERMAL

- Ambient temperature: 0°C to 50°C (32°F to 122°F).
- 10%–90% relative humidity, non-condensing.

REGULATORY AND COMPLIANCE

- CE Compliant, UKCA Compliant, cULus Listed

WARRANTY

- See etconnect.com/warranty/ for details

PHYSICAL

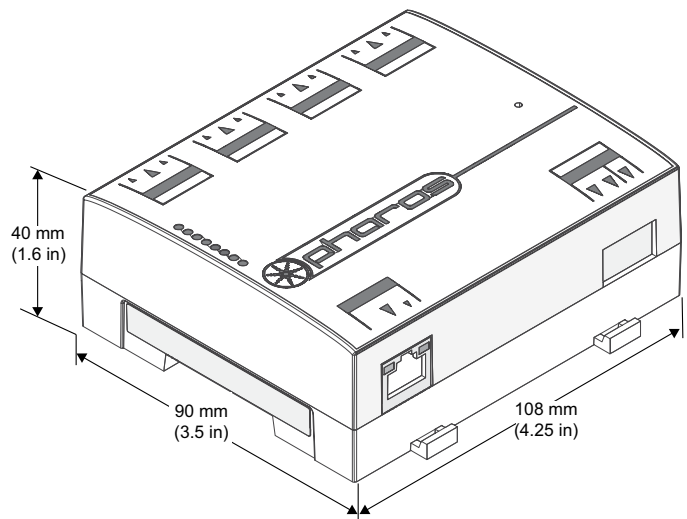
Pharos Switch Dimensions†

MODEL	HEIGHT		WIDTH		DEPTH	
	mm	in	mm	in	mm	in
PAC S	90	3.5	108	4.25	40	1.6

Pharos Switch Weights†

MODEL	WEIGHT		SHIPPING WEIGHT	
	kg	lb	kg	lb
PAC S	0.3	0.7	0.4	0.9

†Weights and dimensions typical.



Corporate Headquarters • Middleton, WI USA
 Global Offices • London, UK • Rome, IT • Holzkirchen, DE • Paris, FR • Hong Kong • Dubai, UAE
 New York, NY • Orlando, FL • Los Angeles, CA • Austin, TX • Squamish, BC • Victor, NY
 ©2026 ETC. All Rights Reserved. All product information and specifications subject to change. Rev B 2026-04
 *Trademark and patent info: etconnect.com/IP • Third-party license agreement info: etconnect.com/licenses